

Dual Technology PIR & Microwave Movement Detector

Commercial Grade Dual Technology, Microwave & PIR movement detector with 15m detection range. The perfect choice for residential to commercial applications for harsher environments.

IR Ready, these detectors are factory fitted with an End-of-line (EOL) resistor module that is specific to Inner Range security controllers which dramatically speeds up installation time by reducing the complexity of the installation. This module is easily removed so these high quality detectors are compatible with any brand of security alarm system. High quality, highly reliable, IR Ready and easy to install, these Commercial Grade Intrusion Detectors will suit any indoor application from residential to highly sensitive commercial applications.

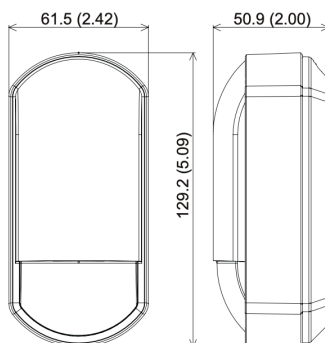


Features

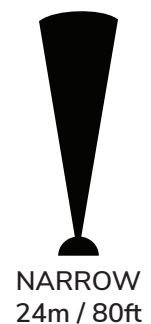
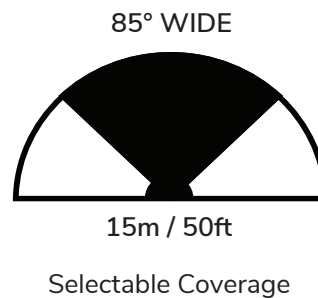
- Customisable field of view – select a wide or narrow detection area by rotating the lens within the case.
- Easily Viewable LED Color - LED color is green and viewable from distance.
- Human-Catch Element - designed to create proper detection areas and optimize detection sensitivity.
- Refined Spherical Lens -provides a precise focal length to each of the multiple lens segments which enables precise detection without distortion.
- SMDA - By analysing detection patterns and environmental information, SMDA improves immunity against various noise factors such as climate changes.
- 180 Degree Cover Lock The front cover can be opened and closed by turning the captive screw lock 180 degrees with a flat head screwdriver.



Dimensions - mm (inch)



Detection Area



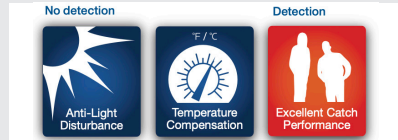
Basic Features

HIGH DETECTION PERFORMANCE



A new bespoke pyroelectric infrared sensor has been specifically designed to create human-size detection areas and optimise detection sensitivity. For industry leading performance.

SMDA LOGIC



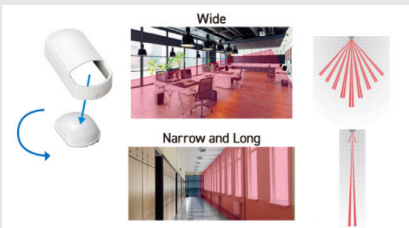
Professional sensors have a unique algorithm(SMDA) which can learn from the environment. The SMDA algorithm can differentiate between common causes of nuisance alarms, such as shadows and bright lights, to focus the detection on genuine intrusions.

180 DEGREE COVER LOCK



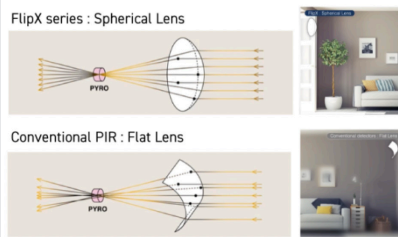
The front cover can be opened and closed by turning the captive screw lock 180 degrees with a flat head screwdriver.

CONFIGURABLE LENS



Select a wide or narrow area with one lens, simply by turning the lens upside down.

REFINED SPHERICAL LENS



Provides a precise focal length to each of the multiple lens segments which enables precise detection without distortion.

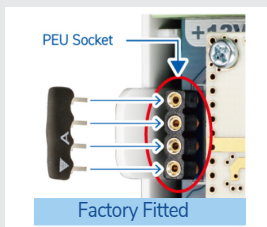
EASILY VIEWABLE



LED colour is green and easily viewable from a distance.

Specific Features

PEU SOCKET



The IR Ready End-Of-Line resistor module is factory fitted and configured with the EOL's to suit the Inner Range security controllers saving significant time and money onsite.

Specifications

Part Number	IR-D-P1E	IR-D-P2E	IR-D-P3E
Model Name	COMMERCIAL PIR	COMMERCIAL DUAL-TECH	COMMERCIAL TRI-TECH
Mounting Height	2.0 to 3.0 m (6'7" to 9'8")		
Detection Method	Passive infrared	Passive infrared & Microwave	Passive infrared & Microwave
Coverage	Wide: 15 m (50') 85° Narrow: 24 m (80') 5° (MW will be stopped in "Narrow" setting)		Wide: 15 m (50 ft.) 85° Narrow: 24 m (80 ft.) 5° (No MW detection at "Narrow" setting)
Alarm Period	2.0 ± 0.5 s		
Warm-up Period	Approx. 60 s (LED blinks)		
LED Indicator	Green: [1] Warm-up [2] Alarm		Multiple: Warm-up / Green: Alarm and Masking detection Yellow: Self test error / Red: Low voltage
Power Input	9.5 to 16 V DC		
Current Draw	8 mA (normal) 11 mA (max.) at 12 V DC	11 mA (normal) 14 mA (max.) at 12 V DC	16 mA (normal) 21 mA (max.) at 12 V DC
Relay Output	Trouble	-	N.C. 24 V DC 0.1 A max. (Resistive load)
	Alarm	N.C. 24 V DC 0.1 A max. (Resistive load)	
	Tamper	N.C. 24 V DC 0.1 A max. (Resistive load) (Open when the cover is removed)	
Remote LED	✓		
Operation Temperature	-20°C to +50°C (-4°F to +122°F)	-20°C to +45°C (-4°F to +113°F)	-20°C to +45°C (-4°F to +113°F)
Temperature Compensation	Digital (SMDA)		
Relative Humidity	95% RH max.		
Dimension	H: 129.2 x W: 61.5 x D: 50.9 mm (H: 5.09" x W: 2.42" x D: 2.00")		H: 159.1 mm x W: 62.2 mm x D: 55.7 mm (H: 5.09" x W: 2.42" x D: 2.00")
Weight	95 g (3.35 oz)	110 g (3.88 oz)	200 g (7.05 oz)

- Specifications and designs are subject to change without prior notice.
- These units are designed to detect an intruder and activate an alarm control panel. Being only a part of a complete system, we cannot accept responsibility for any damages or other consequences resulting from an intrusion.
- Tri models (IR-D-P3E) is certified to NF&A2P when operation temperatures are -10°C to +55°C (14°F to +131°F).

Ordering Options



IR-D-P2E
Dual Technology
Passive Infrared &
Microwave Detector,
15m Range

Other Models Available



IR-D-P1E
Passive Infrared
Detector, 15m Range

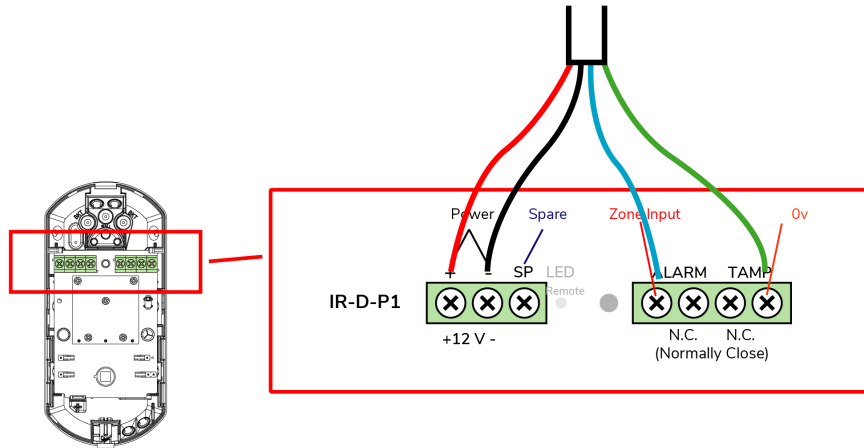


IR-D-P3E
Tri Technology Passive
Infrared, Microwave
with Anti Mask
Detector, 15m Range

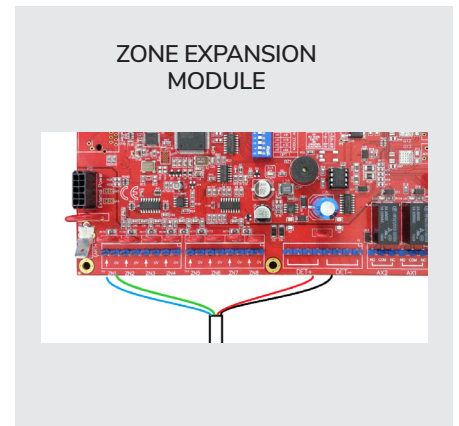
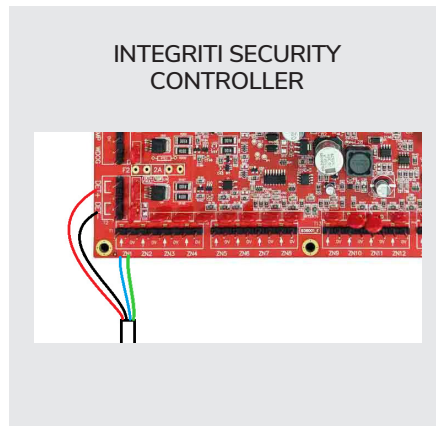
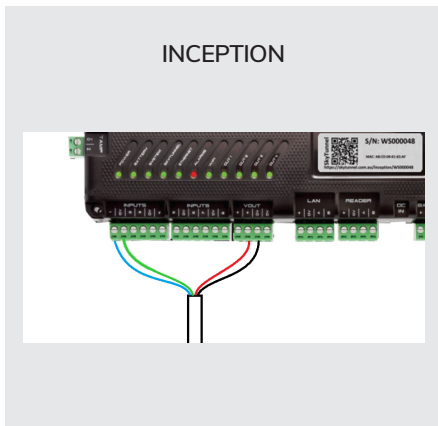


Wiring Diagrams

DETECTOR WIRING GUIDE



CONTROLLER / ZONE EXPANDER WIRING GUIDE



CONTROLLER PROGRAMMING

The Inception Security Controller, the Integriti Security Controller and the Zone Expansion Modules are pre configured to have their default EOL match the IR Ready range of detectors.