



wesco | anixter

***AETEK***  
**IN FOCUS**

# EXPoE SWITCHES

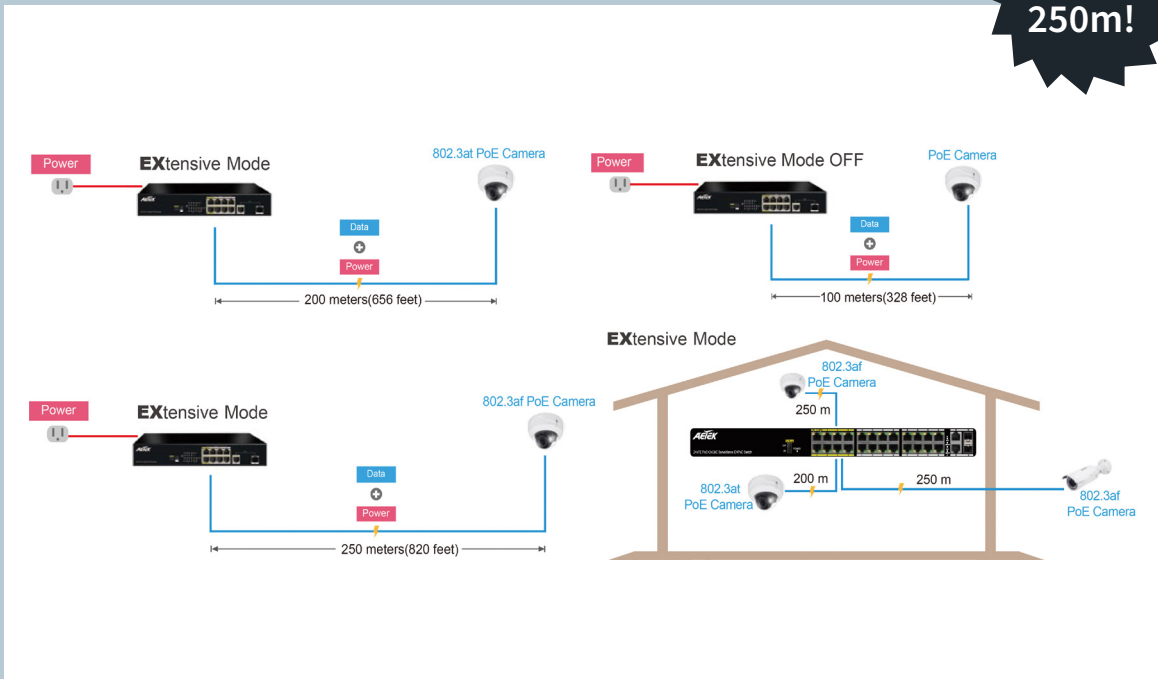


Scan For More Info

Aetek's range of EXPoE switches are equipped with a DIP switch which provides the EX 'Extensive' operation mode. This is an indoor unmanaged range which are specifically designed for IP surveillance applications. Besides the standard 802.3af/at PoE functions, the EX mode can deliver extreme distances of camera images and maximum power of up to 250m via specific EX ports for long reach PoE IP cameras. This range also features an extra 20 percent range of input voltage tolerance, lightning surge protection of AC power and PoE surge protection to prevent the damage that can be caused by outside unstable AC power, lightning surges and power spikes. Altogether, these unique features reduce the costs to replace the damaged fault unit.



**UP TO 250m!**



**POE**



Item Code	Description
AET-C11-04230065	Aetek 4 Port Unmanaged PoE Switch, 2x 100M Uplink, 802.3af/at, EX Mode, 65W
AET-C11-08232120	Aetek 8 Port Unmanaged PoE Switch, 2x 1Gb SFP/RJ45, EX Mode, 120W
AET-C11-16231250	Aetek 16 Port Unmanaged PoE Switch, 2x 1Gb SFP/RJ45, EX Mode, 250W
AET-C11-24231380	Aetek 24 Port Unmanaged PoE Switch, 2x 1Gb SFP/RJ45, EX Mode, 380W



# OUTDOOR SWITCHES



Scan For More Info

Traditional Outdoor PoE Switch

All-in-One AETEK Outdoor Switch



**Save Time n Money**

All in one outdoor POE solution. Eliminates the hassle of integrating an outdoor cabinet

- IP67/ IK10 cast aluminum housing
- Optional fiber splice tray
- Power input:  
Dual Power input series : AC & DC  
Single power input series: DC (-DC model)
- PoE port number: 2/ 4/ 8 port
- Operating temperature: - 40 ~ 65 °C
- PoE surge protection: 6KV
- AC surge protection



**H21**



Item Code	Description
AET-H21-04130075	Aetek 4 Port Unmanaged Outdoor PoE Switch, 1x 100M Uplink, IP67/IK10, EX Mode, 75W
AET-H21-08231150*	Aetek 8 Port Unmanaged Outdoor PoE Switch, 2x Gbe SFP Combo, IK10, EX Mode, 150W

\* Special Order

Item Code	Description
AET-H40-04430150	Aetek 4 Port Gbe Unmanaged Outdoor PoE Switch, 2x SFP/RJ45, IP67/IK10, 150W
AET-H40-04490250*	Aetek 4 Port Outdoor 1Gb PoE Switch, 2x SFP/RJ45, IP67/IK10, 250W
AET-H40-08230250	Aetek 8 Port Gbe Unmanaged Industrial Outdoor PoE Switch, 2x SFP/RJ45, IP67/IK10, 250W



**H40**

\* Special Order

**H60**



Item Code	Description
AET-H60-04491250	Aetek 4 Port Gigabit Managed Outdoor BT PoE Switch, 2x SFP, 250W, IP67, 240VDC
AET-H60-08430250*	Aetek 8 Port Gigabit Managed Outdoor PoE Switch, 4x SFP, 250W, IP67, 240VDC

\* Special Order

# L2 PRO PoE MANAGED SWITCHES

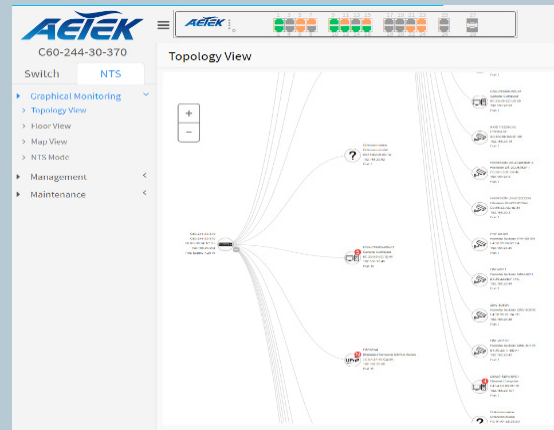



Scan For More Info

The unique Network Topology System (NTS), featured in AETEK's L2 PRO PoE Switches, seamlessly integrates with leading Video Management System (VMS) providers such as Milestone, Avigilon, Hanwha, Network Optix, and Genetec. This integration enhances the management of video surveillance applications and offers robust control over PoE switches.

The NTS utility auto-generates a graphical overview of network topology that displays the status of all IP cameras, switches, and servers and lets users pinpoint a device issue at one glance

The graphical view displays every switch node and auto break down its details, including its device name, model name, IP address, Mac address, and PoE watts supplied.




C60		Item Code	Description
		AET-C60-00B-01	Aetek 12 Port Managed 10Gb Fibre Switch, 12x 1G/10G SFP+, NTS
		AET-C60-00F-01	Aetek 24 Port Managed Gigabit Switch, 4x 1G/10G SFP+, NTS
		AET-C60-082-130	Aetek 8 Port Managed 1Gb PoE Switch, 2x SFP, NTS, 130W
		AET-C60-164-250	Aetek 16 Port Managed 1Gb PoE Switch, 2x SFP, RJ45, NTS, 250W
		AET-C60-244-370	Aetek 24 Port Managed 1Gb PoE Switch, 2x SFP, RJ45, NTS, 370W

C62		Item Code	Description
		AET-C62-04491380	Aetek 4 Port Managed POE Bt Switch, for C62-05030x Switches 2x1Gb, 360W
		AET-C62-08491770	Aetek 8 Port Managed POE Bt Switch, for C62-05030x Switches 2x1Gb SFP, 770W




## NTS (Network Topology System)




**Auto Discovery**

Automatically discover and classify any ONVIF devices



**Topology View**

Generate Topology maps to manage IP cameras




**e-Map**

Map any IP devices location on floor plans & google maps for easy management



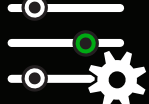
**VLAN Grouping**

Group IP cameras easily through topology map



**Cable Diagnostic**

Show real time connective status between each port of switch & ONVIF camera



**Device Management**

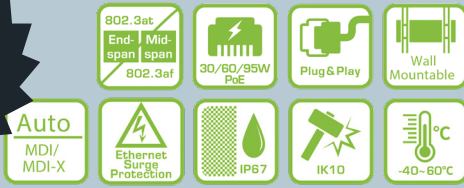
Reboot IP camera, scheduling PoE on/off, alive checking, power delay as PoE switch boots up & PoE configuration

# PoE EXTENDERS



Scan For More Info

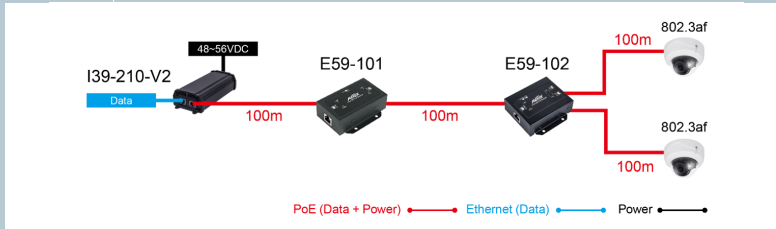
**WOW!  
Smart  
Fact**



## E59/69

Two units from the E59/69 series can be daisy-chained to increase the range of PoE devices such as PoE cameras, wireless AP's allowing it to extend up to 300m from end-to-end or up to 500m with star topology.

Item Code	Description
AET-E59-101	Aetek 1 to 1 Indoor Passive 1GbE PoE Extender, Daisy-chain
AET-E59-102	Aetek 1 to 2 Port Indoor Passive 1GbE PoE Extender, Daisy-chain

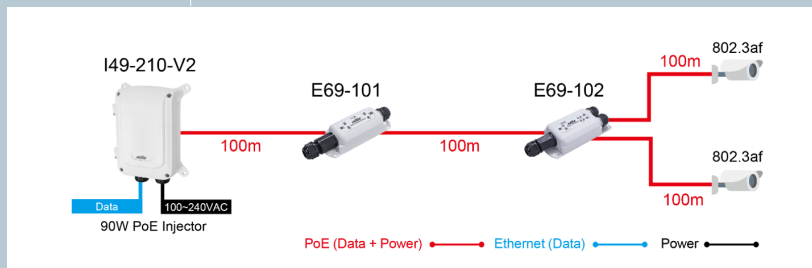


**Indoor**

Item Code	Description
AET-E69-101	Aetek 1 to 1 Port Outdoor Passive 1Gbe PoE Extender, Daisy-chain, IP67
AET-E69-102	Aetek 1 to 2 Port Outdoor Passive 1Gbe PoE Extender, Daisy-chain, IP67



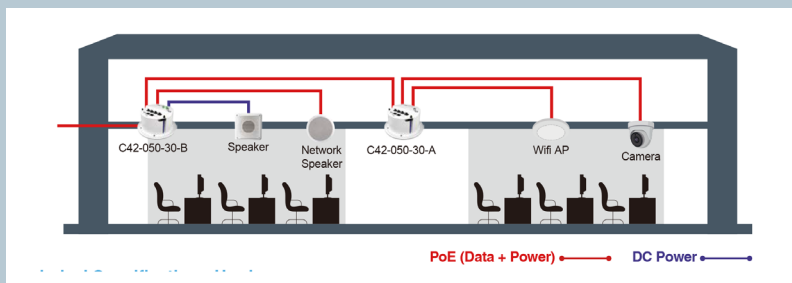
**Outdoor**



# CEILING POE SWITCHES



Scan For More Info



Patented Ceiling PoE Switches (C42/C62 Series)  
Designed be compact and installed on ceilings, optimizing space in commercial or industrial environments

**C42/C62**



Item Code	Description
AET-C42-05030A	Aetek 4 Port POE Switch, In Ceiling, Bt POE In
AET-C42-05030B	Aetek 4 Port POE Switch, In Ceiling, Daisy Chain, 12V/24V Out, Bt POE In
AET-C62-05030A	Aetek 4 Port Managed POE Switch, In Ceiling, 12V/24V Output, Bt POE In
AET-C62-05030B	Aetek 4 Port Managed PoE Switch, In Ceiling, Daisy Chain, 12V/24V Out, Bt PoE In

# LONG RANGE PoE EXTENDERS



Scan For More Info

## PoE OVER COAX, 2-WIRE OR UTP/STP



The new series of Aetek EPoT/C/2 long range PoE extenders are here to overcome transmission limitations of data & power over long distances. These PoE extenders are available in three different options which can extend transmission range of data and power over Cat5/Cat6 cable, coaxial cable or 2-wire. To reduce installation costs & save time, you can run new IP cameras & intercoms via existing coaxial or 2-wire cable.

The long range PoE extender over Cat5/Cat6 (EPoT) and over coaxial cable (EPoC) can expand the transmission distance up to 1,200m with a data rate of 100Mbps and a 9.7W PoE budget at the transmitter end (this PoE budget will vary depending on power input and actual distance). The long range PoE extender over 2-Wire (EPo2) can transmit power and data up to 600m but the power output will vary with distance and cable quality.

These extenders must be purchased in pairs, so the RX is installed locally, and the TX is installed at one end of the POE IP device. Outdoor rated transmitters (TX) are protected by an IP67 weatherproof and an IK10 vandal resistant casing as well as a built in PoE surge protection of 6KV.

Item Code	Description
AET-TE10-110-RX	Aetek Indoor PoE Over UTP/STP Cat.x Cable Receiver, Up to 1200m, 65W PSU Included
AET-TE10-110-TX	Aetek Indoor PoE Over UTP/STP Cat.x Cable Transmitter, Up to 1200m, PoE Pass Through
AET-TE11-110-RX	Aetek Indoor PoE Over UTP/STP Cat.x Cable Receiver, Up to 1200m, PoE Input
AET-TE22-110-TX	Aetek Outdoor PoE over UTP/STP Cat.x Cable Transmitter, Up to 1200m, IP67, PoE Pass Through



Long Range

# LONG RANGE PoE EXTENDERS



Scan For More Info

Receivers & Transmitters



Item Code	Description
AET-2E10-110-KIT	Aetek Indoor PoE over 2-Wire Kit, Up to 600m, 1x Receiver, 1x Transmitter, 65W PSU Inc.
AET-2E10-110-RX *	Aetek Indoor PoE over 2-Wire Receiver, EPo2, Up to 600m, 65W PSU Included
AET-2E10-110-TX *	Aetek Indoor 1-to-1 Port PoE over 2-Wire Transmitter, EPo2, Up to 600m, PoE Passthrough
AET-2E11-110-KIT *	Aetek Indoor PoE over 2-Wire Kit, Up to 600m, 1x Receiver, 1x Transmitter, PoE Input
AET-2E11-110-RX *	Aetek Indoor PoE over 2-Wire Receiver, EPo2, Up to 600m, PoE Input
AET-XE10-110KIT	Aetek 1 Port EPoC Kit, 1x Receiver, 1x Transmitter, up to 1200m, 65W PSU Inc
AET-XE11-110KIT	Aetek 1 Port EPoC Kit, 1x Receiver, 1x Transmitter, up to 1200m, PoE Input

\* Special Order

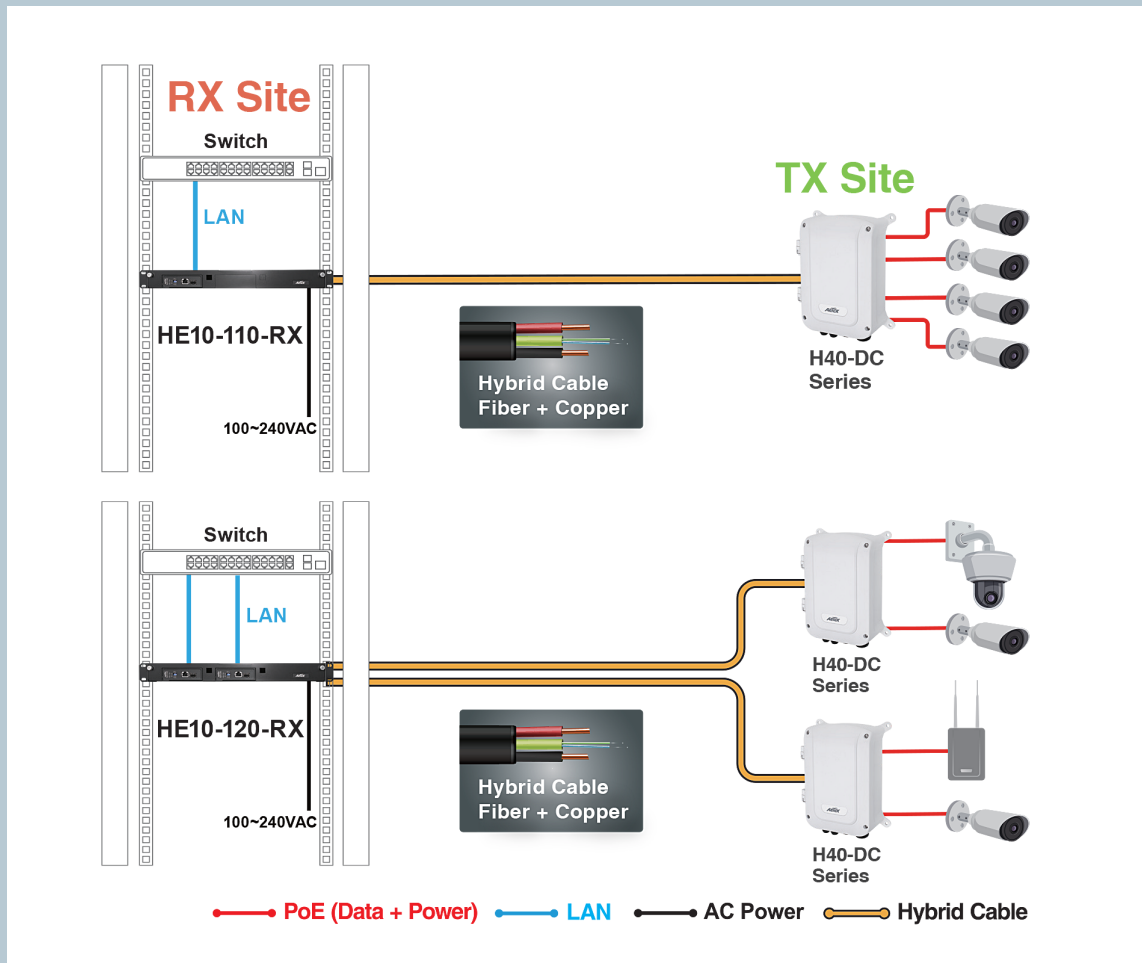
# EPOH ( LONG RANGE POE SOLUTION OVER HYBRID COPPER-FIBER CABLE )



Scan For More Info

HE10 Series is an EPoH (Long Range PoE Solution over Hybrid Copper-Fiber Cable) receiver(RX). There are two models, HE10-110-RX with 1 Hybrid cable port & 1 LAN port, HE10-120-RX with 2 Hybrid cable port & 2 LAN port.

This cutting-edge long range PoE solution provides data & power to EPoH TX Switch and 4xaf PoE PD up to 2,400m / 7,874ft.



## Distance Chart

PSU Output Voltage	Cable Gauge (AWG)	4xaf Output Cable Length	8xaf Output Cable Length	2xxt 90W Output Cable Length	4xxt 90W Output Cable Length
57VDC/750W Power Supply	12	2,400m / 7,874ft	1,040m / 3,412ft	720m / 2,362ft	150m / 492ft
	16	940m / 3,083ft	400m / 1,312ft	240m / 787ft	60m / 196ft

HE10 Series



Item Code	Description
AET-HE10-110-RX *	Aetek 1 Channel EPoH RX Base Long Range PoE over Hybrid Copper-Fiber Receiver
AET-HE10-120-RX *	**Coming Soon** Aetek 2 Channel EPoH RX Base Long Range PoE over Hybrid Copper-Fiber Receiver

\* Special Order



wesco | anixter

## Ingenuity delivered.

---

Wesco Anixter Security Branches  
Head Office  
3A Aerolink Drive  
Tullamarine, Victoria 3043  
1300 319 499

### Security Branches

Seven Hills  
Mulgrave  
Fyshwick

Dudley Park  
Waterloo  
Loganholme

Canning Vale  
Balcatta

**csd.com.au**

© 2024 Wesco International

Central Security Distribution Pty Ltd