

©2021 Hangzhou Hikvision Digital Technology Co., Ltd. All rights reserved.
About this Manual

The Manual includes instructions for using and managing the Product. Pictures, charts, images and all other information hereinafter are for description and explanation only. The information contained in the Manual is subject to change, without notice, due to firmware updates or other reasons. Please find the latest version of this Manual at the Hikvision website (<https://www.hikvision.com/>). Please use this Manual with the guidance and assistance of professionals trained in supporting the Product.

HIKVISION and other Hikvision's trademarks and logos are the properties of Hikvision in various jurisdictions. Other trademarks and logos mentioned are the properties of their respective owners.

Disclaimer

TO THE MAXIMUM EXTENT PERMITTED BY APPLICABLE LAW, THIS MANUAL AND THE PRODUCT DESCRIBED, WITH ITS HARDWARE, SOFTWARE AND FIRMWARE, ARE PROVIDED "AS IS" AND "WITH ALL FAULTS AND ERRORS". HIKVISION MAKES NO WARRANTIES, EXPRESS OR IMPLIED, INCLUDING WITHOUT LIMITATION, MERCHANTABILITY, SATISFACTORY QUALITY, OR FITNESS FOR A PARTICULAR PURPOSE. THE USE OF THE PRODUCT BY YOU IS AT YOUR OWN RISK. IN NO EVENT WILL HIKVISION BE LIABLE TO YOU FOR ANY SPECIAL, CONSEQUENTIAL, INCIDENTAL, OR INDIRECT DAMAGES, INCLUDING, AMONG OTHERS, DAMAGES FOR LOSS OF BUSINESS PROFITS, BUSINESS INTERRUPTION, OR LOSS OF DATA, CORRUPTION OF SYSTEMS, OR LOSS OF DOCUMENTATION, WHETHER BASED ON BREACH OF CONTRACT, TORT (INCLUDING NEGLIGENCE), PRODUCT LIABILITY, OR OTHERWISE, IN CONNECTION WITH THE USE OF THE PRODUCT, EVEN IF HIKVISION HAS BEEN ADVISED OF THE POSSIBILITY OF SUCH DAMAGES OR LOSS.

YOU ACKNOWLEDGE THAT THE NATURE OF INTERNET PROVIDES FOR INHERENT SECURITY RISKS, AND HIKVISION SHALL NOT TAKE ANY RESPONSIBILITIES FOR ABNORMAL OPERATION, PRIVACY LEAKAGE OR OTHER DAMAGES RESULTING FROM CYBER-ATTACK, HACKER ATTACK, VIRUS INSPECTION, OR OTHER INTERNET SECURITY RISKS; HOWEVER, HIKVISION WILL PROVIDE TIMELY TECHNICAL SUPPORT IF REQUIRED.

YOU AGREE TO USE THIS PRODUCT IN COMPLIANCE WITH ALL APPLICABLE LAWS, AND YOU ARE SOLELY RESPONSIBLE FOR ENSURING THAT YOUR USE CONFORMS TO THE APPLICABLE LAW. ESPECIALLY, YOU ARE RESPONSIBLE, FOR USING THIS PRODUCT IN A MANNER THAT DOES NOT INFRINGE ON THE RIGHTS OF THIRD PARTIES, INCLUDING WITHOUT LIMITATION, RIGHTS OF PUBLICITY, INTELLECTUAL PROPERTY RIGHTS, OR DATA PROTECTION AND OTHER PRIVACY RIGHTS. YOU SHALL NOT USE THIS PRODUCT FOR ANY PROHIBITED END-USES, INCLUDING THE DEVELOPMENT OR PRODUCTION OF WEAPONS OF MASS DESTRUCTION, THE DEVELOPMENT OR PRODUCTION OF CHEMICAL OR BIOLOGICAL WEAPONS, ANY ACTIVITIES IN THE CONTEXT RELATED TO ANY NUCLEAR EXPLOSIVE OR UNSAFE NUCLEAR FUEL-CYCLE, OR IN SUPPORT OF HUMAN RIGHTS ABUSES.

IN THE EVENT OF ANY CONFLICTS BETWEEN THIS MANUAL AND THE APPLICABLE LAW, THE LATER PREVAILS.



This product and - if applicable - the supplied accessories too are marked with "CE" and comply therefore with the applicable harmonized European standards listed under the EMC Directive 2014/30/EU, RE Directive 2014/53/EU, the RoHS Directive 2011/65/EU.



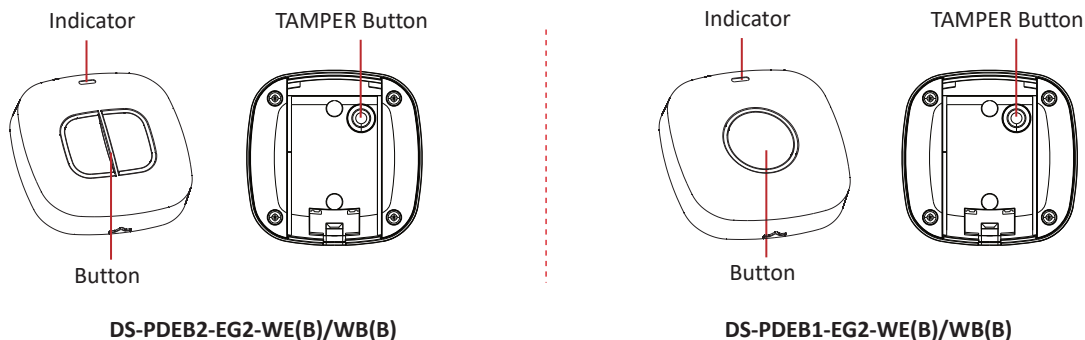
2012/19/EU (WEEE directive): Products marked with this symbol cannot be disposed of as unsorted municipal waste in the European Union. For proper recycling, return this product to your local supplier upon the purchase of equivalent new equipment, or dispose of it at designated collection points. For more information see: www.recyclethis.info



replacement of a battery with an incorrect type that can defeat a safeguard (for example, in the case of some lithium battery types);
- disposal of a battery into fire or a hot oven, or mechanically crushing or cutting of a battery, that can result in an explosion;
- leaving a battery in an extremely high temperature surrounding environment that can result in an explosion or the leakage of flammable liquid or gas; and
- a battery subjected to extremely low air pressure that may result in an explosion or the leakage of flammable liquid or gas

2006/66/EC (battery directive): This product contains a battery that cannot be disposed of as unsorted municipal waste in the European Union. See the product documentation for specific battery information. The battery is marked with this symbol, which may include lettering to indicate cadmium (Cd), lead (Pb), or mercury (Hg). For proper recycling, return the battery to your supplier or to a designated collection point. For more information see: www.recyclethis.info

1 Appearance



- **Indicator**

Alarm: Flashing red indicates the alarm is triggered.
Signal Strength: In the signal strength checking mode,
Signal LED turns green for 3 s: Strong.
Signal LED turns orange for 3 s: Medium.
Signal LED turns red for 3 s: Weak.
Signal LED flashes red for 3 s: Disconnected.

- **TAMPER Button:**

Tampering Alarm: Trigger alarm when the device is disassembled.
Formatting: Format the emergency button.

3 Enrollment

1. Log in to the APP Store, download and install the App.
2. Power on the security control panel.
3. Log in the APP and tap the icon "+". Scan the QR code or input the control panel serial No. to add the control panel.

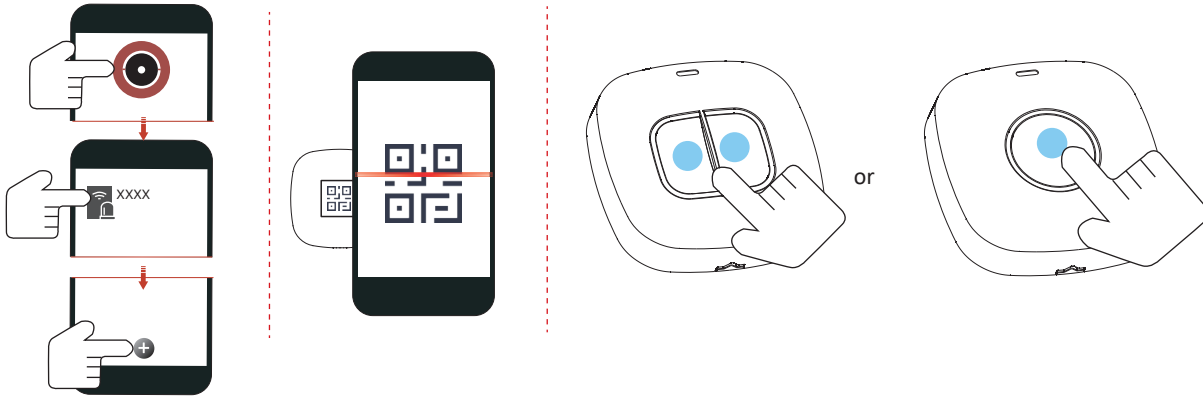
2. Log in to the APP Store, download and install the App.
3. Power on the security control panel.
4. Log in the APP and tap the icon "+" . Scan the QR code or input the control panel serial No. to add the control panel.

1 Enroll the Peripheral Locally

1. In the APP, tap the "Enrollment Mode" button on the control panel page to make the control panel enter the enrollment status.
2. Trigger the peripheral, and it will be automatically enrolled to the control panel.

2 Enroll the Peripheral

1. In the APP, tap the icon "+" and scan the QR code or serial No. on the peripheral.
2. Trigger the peripheral, and it will be automatically enrolled to the control panel.



4 Installation

Check signal strength

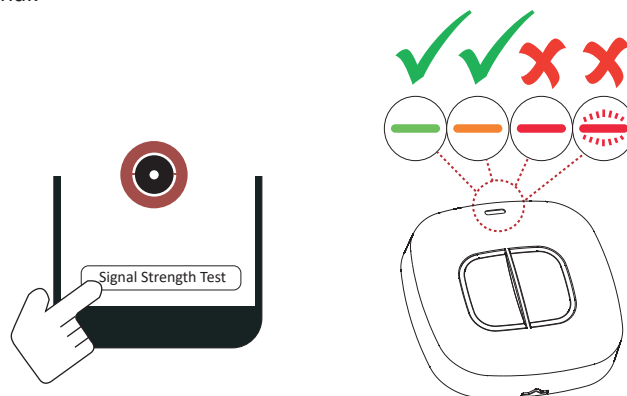
Enter the signal checking mode by operating on the control panel.

Solid green for 3 s: Strong signal.

Solid orange for 3 s: Medium signal.

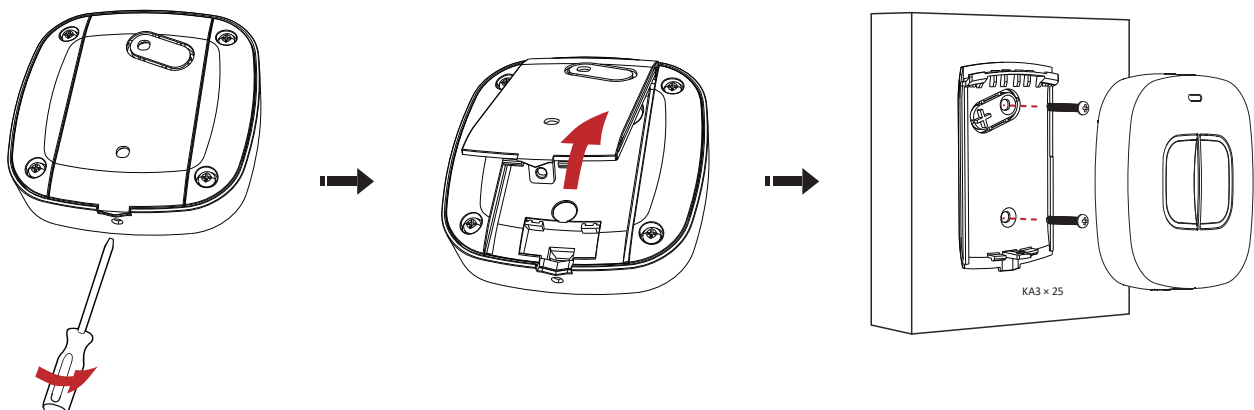
Solid red for 3 s: Weak signal.

Red flashes for 3 s: Lost signal.



Install the panic button

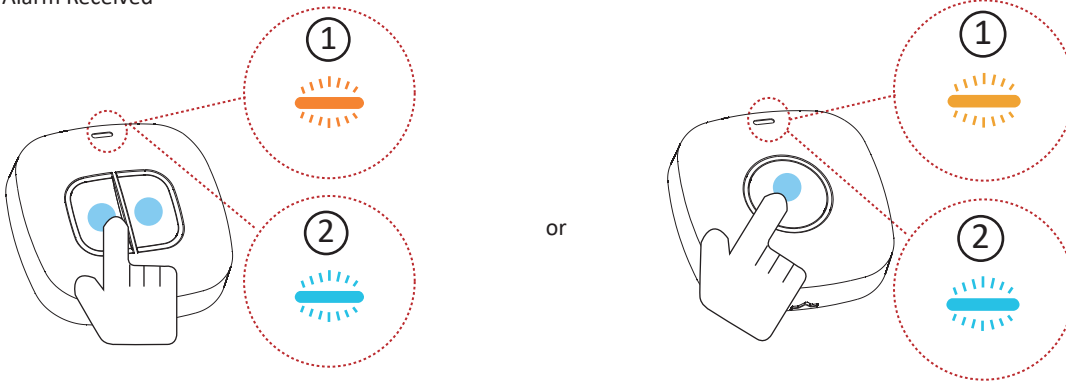
1. Insert and rotate the screwdriver in the groove to disassemble the device.
2. Secure the device to the wall with two screws through the holes in the rear panel.
3. Align the front panel and the rear panel and buckle them together.



5 Test

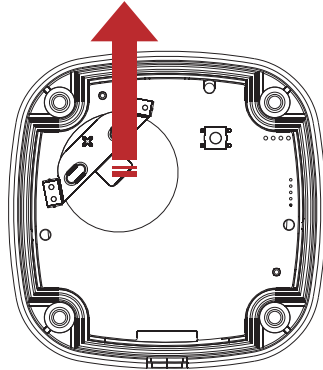
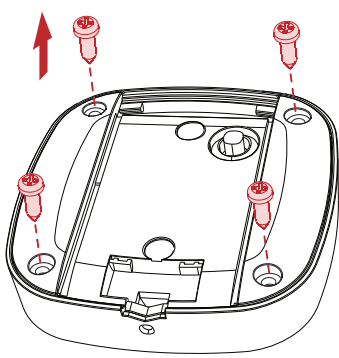
Trigger the emergency button, and the LED indicates the operation result.

- 1.Button
- 2.Alarm Received



6 REPLACE BATTERY

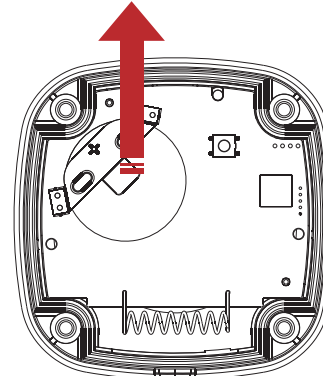
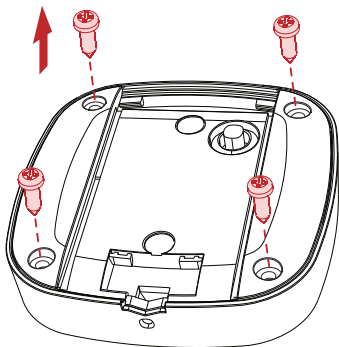
1. Remove the four screws in the rear panel to disassemble the device.
2. Replace the battery.



DS-PDEB1/2-EG2-WE(B)

CAUTION
RISK OF EXPLOSION IF BATTERY IS REPLACED BY AN INCORRECT TYPE.
REPLACEMENT OF A BATTERY WITH AN INCORRECT TYPE THAT CAN DEFEAT A SAFEGUARD.

CAUTION
DISPOSE OF USED BATTERIES ACCORDING TO THE INSTRUCTIONS AND LOCAL REGULATION.



DS-PDEB1/2-EG2-WB(B)

CAUTION
CHEMICAL BURNING DANGER
DO NOT SWALLOW THE BATTERY
KEEP NEW AND USED BATTERIES AWAY FROM THE CHILDREN.
IF YOU THINK BATTERIES MIGHT HAVE BEEN SWALLOWED OR PLACED INSIDE ANY PART OF THE BODY, SEEK IMMEDIATE MEDICAL ATTENTION.


7 Function

Function	Description
Panic Alarm	Press the button to trigger the alarm while in emergency condition. The LED keeps red for 2 s.
Medical Alarm	Set the panic button as medical button via the AX PRO client. Press the button to trigger the alarm while in emergency condition. The LED keeps red for 2 s.
Panic Alarm	Press the two buttons synchronously to trigger the alarm while in emergency condition. The LED keeps red for 2 s.
Medical Alarm	Set the panic button as medical button via the AX PRO client. Press the two buttons synchronously to trigger the alarm while in emergency condition. The LED keeps red for 2 s.

8 Formatting

Remove the battery. Hold the tamper button and meanwhile power the device on at the same time. The red LED flashes 3 times when the formatting is completed.

9 Set Up with App

You can view the device status including temperature, signal intensity, battery level, connection, 24-hour zone, and operation mode on the device page. Tap the  button to enter the settings page.

Function	Description
Zone Type	Select the zone type of the detector.
Enable Silent Zone	Slide to green to make the zone keep silent while alarm is triggered.
Cross Zone	If the alarm triggered in both of the linked zones within the set time, two alarm messages will be reported.
Link Camera	Link with a camera for intruder verification.
Polling Rate	Set the interval of heartbeat.
Signal Strength Test	Enter the test mode, and view the LED indication.

10 Operation Caution and Device Maintenance

- All the electronic operation should be strictly compliance with the electrical safety regulations, fire prevention regulations and other related regulations in your local region.
 - Do not drop the device or subject it to physical shock, and do not expose it to high electromagnetism radiation. Avoid the equipment installation on vibrations surface or places subject to shock (ignorance can cause equipment damage).
 - Please make sure that the power has been disconnected before you wire, install or dismantle the device.
 - If smoke, odors or noise rise from the device, turn off the power at once and unplug the power cable, and then please contact the service center.
 - Do not drop the device or subject it to physical shock, and do not expose it to high electromagnetism radiation. Avoid the equipment installation on vibrations surface or places subject to shock (ignorance can cause equipment damage).
 - Do not place the device in extremely hot (refer to the specification of the device for the detailed operation temperature), cold, dusty or damp locations, and do not expose it to high electromagnetic radiation.
 - The device for indoor use shall be kept from rain and moisture.
- Exposing the equipment to direct sun light, low ventilation or heat source such as heater or radiator is forbidden (ignorance can cause fire danger).
- Do not aim the device at the sun or extra bright places. A blooming or smear may occur otherwise (which is not a malfunction however), and affecting the endurance of sensor at the same time.
 - Improper use or replacement of the battery may result in hazard of explosion. Replace with the same or equivalent type only. Dispose of used batteries according to the instructions provided by the battery manufacturer.
 - Do not expose the device to the corrosive gas. Otherwise the equipment damage may occur.
 - Do not expose the device to the explosive situation.

11 Specification

	Model	DS-PDEB1/2-EG2-WB(B)/WE(B)
Feature	Button	1/2
	Tamper Protection	Front,Rear
	Environment Temperature Indicator	Support
	Signal Strength Indicator	Support
Interface	LED Indicator	Blue(Alarm)
Transmission	Transmission Technology	Tri-X Wireless
	Transmission Method	Two-Way RF Wireless
	Transmission Frequency	433 MHz/868 MHz
	Transmission Security	AES-128 Encryption
	Transmission Range(Free Space)	800 m(433 MHz)/1.2 Km(868 MHz)
	Frequency Hopping	Support
	Enrolling Method	Power up,Remote ID,QR Code
Electrical Characteristics	Power Supply	Battery Powered
	Battery Type	CR2450 x 1 (included) 620 mAh capacity
	Consumption	Quiescent Current: 25 uA Max: 36.89 mA
	Low voltage level	2.60 V
	Typical Voltage	3 V
	Standard Battery Life	3 years in work status (being triggered 20 times per day)
General	Operation Temperature	-10 °C to 55 °C (14 °F to 131 °F)
	Storage Temperature	-20 °C to 60 °C (-4 °F to 140 °F)
	Operation Humidity	10% to 90%
	PS type	Type C
	Dimension(WxHxD)	DS-PDEB1-EG2-WE(B)/WB(B): 63.8 mm × 63.8 mm × 18.4 mm DS-PDEB2-EG2-WE(B)/WB(B): 63.8 mm × 63.8 mm × 19 mm
	Weight	DS-PDEB1-EG2-WE(B)/WB(B): 57.5 g DS-PDEB2-EG2-WE(B)/WB(B): 58.5 g
	Mounting Method	Wall
	Application Scenario	Indoor Humid environment especially
	IP Rate	IP66

Note: When the low voltage message appears there will be at least 30 days of use.