



SPM-4210

I/O Box



Key Features

- Alarm/Audio I/O Box for PTZ PLUS cameras
- 1 RJ45 port
- 4 Selectable I/O ports
- 2 Audio I/O port (1 each)
- Power : PoE only / Consumption: Max 4.5W
- Dimensions :143mm x 73mm x 27.3mm (5.63" x 2.87" x 1.07")
- Weight : 171g (0.38lb)
- Color : White

SPM-4210

I/O Box



Specifications

Operational

Alarm I/O	Configurable 4 Ports 12 V DC output, max load 50 mA
Audio In	Selectable(mic in/line in)
Audio Out	Line out, Max.output level: 1Vrms

Network

Ethernet	RJ-45(10/100BASE-T)
Audio Compression	G.711 u-law /G.726 Selectable G.726(ADPCM) 8KHz, G.711 8KHz G.726: 16Kbps, 24Kbps, 32Kbps, 40Kbps AAC-LC: 48Kbps at 16KHz
Protocol	IPv4, IPv6, TCP/IP, UDP/IP, RTP(UDP), RTP(TCP), RTCP,RTSP, NTP, HTTP, HTTPS, SSL/TLS, DHCP, ICMP, ARP, DNS, LLDP
Security	HTTPS(SSL) Login Authentication Digest Login Authentication IP Address Filtering User access log 802.1X Authentication(EAP-TLS, EAP-LEAP) Device Certificate(Hanwha Techwin Root CA)
Application Programming Interface	SUNAPI(HTTP API)

General

Webpage Language	English, Korean, Chinese, French, Italian, Spanish, German, Japanese, Russian, Swedish, Portuguese, Czech, Polish, Turkish, Dutch, Hungarian, Greek
Web Viewer	Support
Memory	4GB RAM, Flash 256MB

Environmental & Electrical

Operating Temperature / Humidity	-40°C~+60°C(-40°F ~ +140°F) / Less than 95% RH(Non-condensing) Start up should be done at above -30°C
Storage Temperature / Humidity	-50°C~+60°C (-58°F~+140°F) / Less than 95% RH(Non-condensing)
Input Voltage	PoE(IEEE802.3af, Class3)
Power Consumption	Max. 4.5W

Mechanical

Color / Material	White
RAL Code	RAL9003
Product dimensions / weight	143mm x 73mm x 27.3mm / 171g

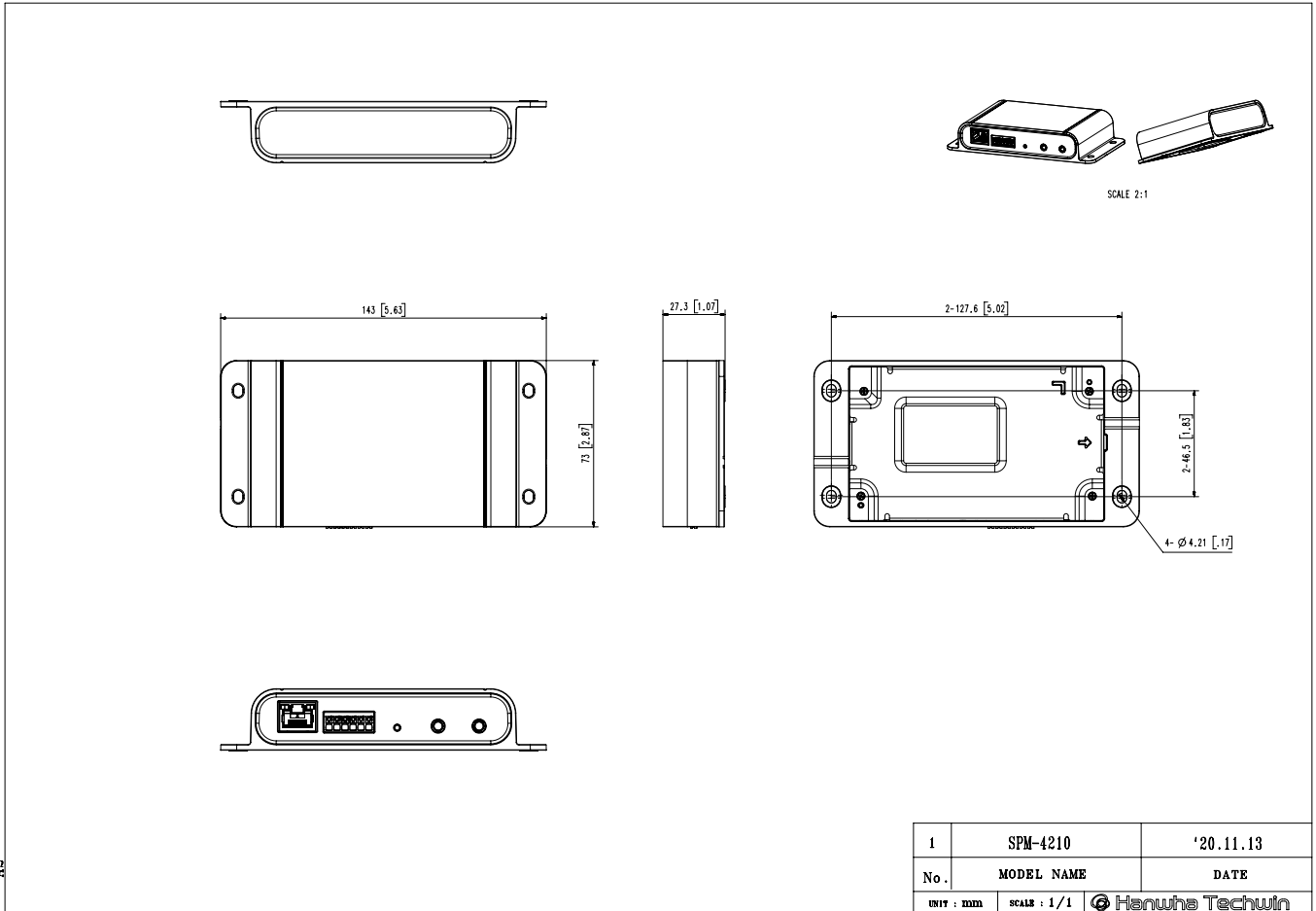
SPM-4210

I/O Box



CAD

Unit: mm [inch]



1	SPM-4210	'20.11.13
No.	MODEL NAME	DATE
UNIT : mm	SCALE : 1/1	Hanwha Techwin

A2