

Aperio® KL100 Wireless Locker/ Cabinet Lock

ASSA ABLOY
Opening Solutions

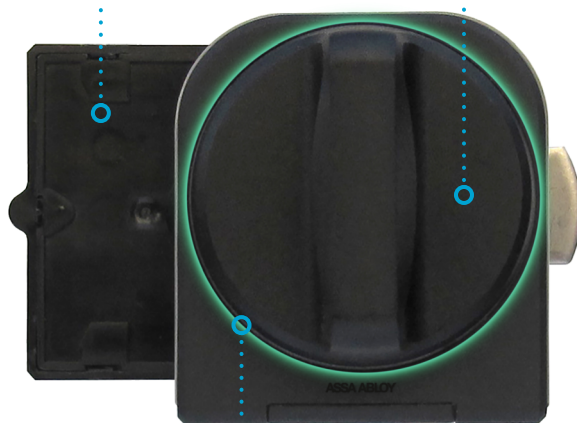
Wireless protection for your lockers and cabinets

The ASSA ABLOY Aperio KL100 is the easiest way to upgrade access control at openings beyond doors. It is fitted without wiring or drilling the cabinet door and works with almost any system, via Online, Offline or OSS-standard offline integration.

Experience a safer
and more open world

Battery, located inside the door, is easy to replace in seconds with a single screw.

Discreet, with a minimal visual footprint and contemporary design.

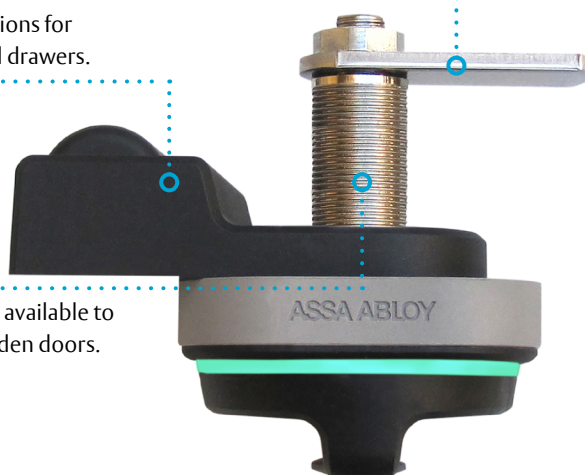


Inbuilt LED instantly communicates if access is granted or denied.

Four locking positions for both cabinets and drawers.

Four lock versions available to fit metal and wooden doors.

Several cams available.



Easy integration

Aperio KL100 works seamlessly with access control systems integrated to Aperio via AADP protocol or Wiegand hub. No database integration required.



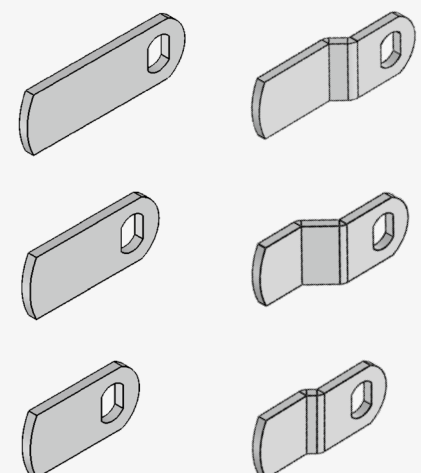
Quick installation

It only takes a few minutes to swap a mechanical cylinder for an Aperio KL100.



Flexibility

Ideal for retrofit projects, KL100 allows you to tailor your solution with a wide range of cam types.



Aperio® KL100 Locker/Cabinet lock | For indoor use

Technical data and features

①	Authentication	CARD or Mobile
RFID	RFID Technologies	iCLASS, iCLASS SE, iCLASS Seos, MIFARE Classic, Mifare Classic SE, Mifare Ultralight, Mifare Plus, Mifare DESFire 0.6, Mifare DESFire EV1, Mifare DESFire EV2, Mifare DESFire EV3 (EV2 and EV3 only in Legacy mode), Mifare DESFire SE, PicoPass, ISO 14443A UID, ISO 14443B UID, ISO 15693 UID
	RFID reading	UID / Sector / Block / Application / File / Depending on the RFID technology
	RFID Reading range	Up to 4 cm
📶	Mobile technologies	NFC and BLE
✓	Approvals	CE, UKCA
	Version	Two lengths: Short and long cylinders to fit metal and wooden doors Two hole diameters: 19mm and 22mm
📏	Dimensions	Short: 82,5 × 63 × 58,5 mm (Exterior Dimensions H × W × D) Long: 82,5 × 63 × 75 mm (Exterior Dimensions H × W × D)
	Surface	Cover: black and grey
🔋	Battery	1 × Lithium CR123A
	Battery life	25 openings per day for 106 months
	Emergency power	Via micro-USB socket
	Radio standard	IEEE 802.15.4 (2.4 GHz)
📶	Encryption (radio communication)	AES 128 bits
	Distance between the device and the hub	Up to 25m depending on the building environment
🌡️	Class of protection	IP54
	Operating temperature range	0°C to 55°C
	Relative humidity	< 85% (condensation-free)
💡	Status	LED (red/green/orange)
📶	Configuration interface	Communication via radio (USB dongle) or Micro-USB cable (accessory)
	Offline and Online operation modes	Aperio Online; Aperio Offline; Standard OSS Offline



It includes:

- One KL100 unit with battery (Lithium CR123A)
- One cam
- Installation instructions
- Accessories



Communicates with:

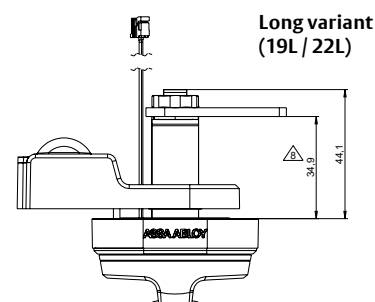
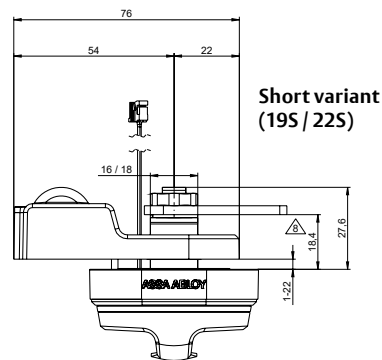
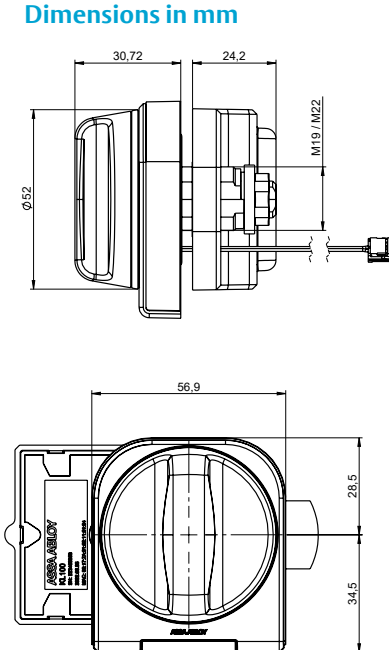
- RS485 Communication Hub
- Aperio IP Communication Hub
- Wiegand Interface (Standard and advanced versions) Communication Hub



Smart Credential Handling:

Up to 1000 users can be granted access even if the EAC is temporarily down.

Dimensions in mm



Drilling dimensions

