

Tactical Power Products - Australia's
Security Power Specialist

High Quality Security Products
Designed, Manufactured and
Supported in Australia

www.tacpower.com.au

U23/9-12 Lambridge Pl. Penrith NSW 2750
Tel: 1300822769 sales@tacpower.com.au



General

The RLB1-SPDT-V2 is a “buffered” relay with single pole double throw (SPDT) contacts. Solid state “buffering” of trigger inputs allows RLB1-SPDT-V2 to be connected to equipment with limited current sink ability, enabling control of devices drawing up to 6A.

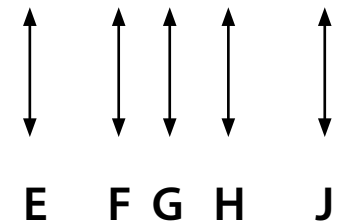
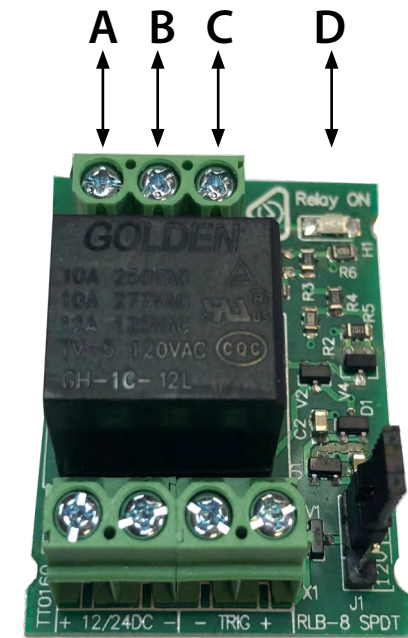
The DC input is programmable via a three way jumper header J1 as marked on the PCB, allowing the relay to be powered from either 12Vdc or 24Vdc, ensure the correct voltage is selected prior to connecting to the power source

DC power must be connected to the input terminals marked E & F in Table 1 permanently.

The relay may be triggered with either a negative or positive voltage applied to terminals G or H (respectively). When triggered the Red LED will illuminate.

RLB1-SPDT-V2 is also available as a strip of 8 for multiple output applications (such as lift control) In this configuration the DC power is only required to be connected to first relay in the strip as they are connected on a common bus - order Tactical Part No: RLB8-V2 or RLB8-V2-DIN. DIN rail version

| | |
|----------------|--------------------|
| Input Voltage | 12Vdc / 24Vdc |
| Configuration | SPDT |
| Contact Rating | 6A @ 30Vdc |
| Dimensions | 30W x 40L x 20H mm |
| | |



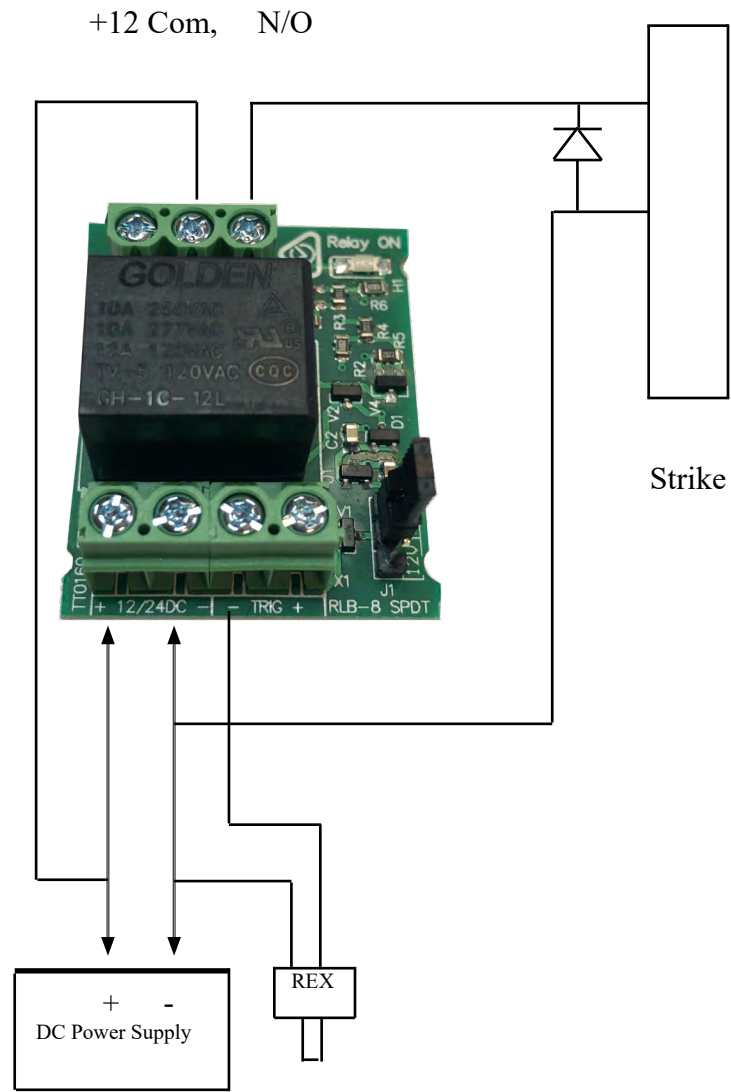
| Table 1. | |
|----------|------------------------------------|
| A | Relay Output - Normally Closed |
| B | Relay Output - Common |
| C | Relay Output - Normally Open |
| D | Red LED illuminates upon trigger |
| E | 12V Input (+ Positive) |
| F | 12V Input (- Negative) |
| G | Trigger Input (- Negative) |
| H | Trigger Input (+ Positive) 5-24V |
| J | J1 Voltage Selector 12V or 24V |



TACTICAL
POWER PRODUCTS

12Vdc / 24Vdc SPDT Buffered Relay

RLB1-SPDT-V2



RLB1-SPDT-V2



© 2022 The contents of this manual are copyright and may not be reproduced without permission of - Tactical Power Products Pty Limited.

| | |
|----------------|--------------------|
| Input Voltage | 12Vdc / 24Vdc |
| Configuration | SPDT |
| Contact Rating | 6A @ 30Vdc |
| Dimensions | 30W x 40L x 20H mm |
| | |

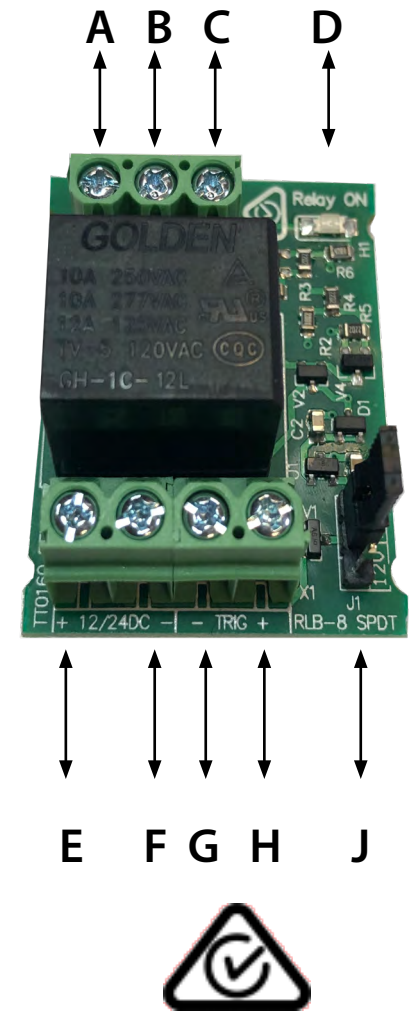


Table 1.

| | |
|---|--------------------------------|
| A | Relay Output - Normally Closed |
| B | Relay Output - Common |
| C | Relay Output - Normally Open |
| D | Operation LED |
| E | 12V Input (+ Positive) |
| F | 12V Input (- Negative) |
| G | Trigger Input (- Negative) |
| H | Trigger Input (+ Positive) |
| J | J1 Voltage Selector 12V or 24V |