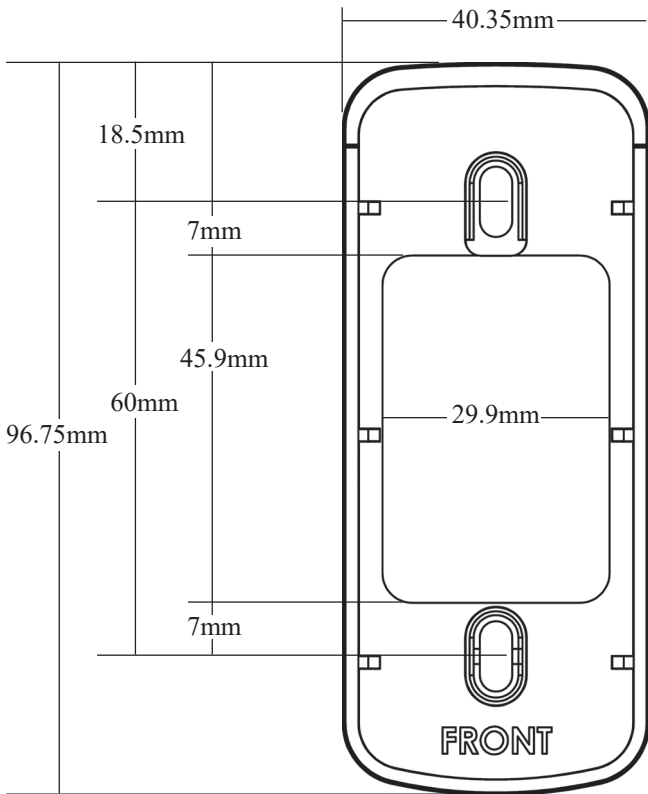


Detailed Dimensions



Due to on-going product development this manual is subject to change without notice. www.innerrange.com.au
 © 2021. Inner Range Pty. Ltd. Doc. Part No: 639037

SIFER Reader Spacer Mk2

P/N: 999037

The SIFER Reader Spacer allows a SIFER Reader to be installed on a metallic surface without degrading the read range. Mounting holes align with those on the Reader Mounting Plate and the cable entry cutout allows the Spacer to be fitted on a Reader that is already installed without disconnecting the cable.

Compatibility

The Mk2 Spacer is for SIFER Readers with a date code of 070820 (7th Aug. 2020) or later on the barcode label on the rear of the Reader. Readers with date codes earlier than this require the Mk1 Spacer; P/N: 999033.



Parts List

- SIFER Reader Spacer. - Installation manual. (This doc.)

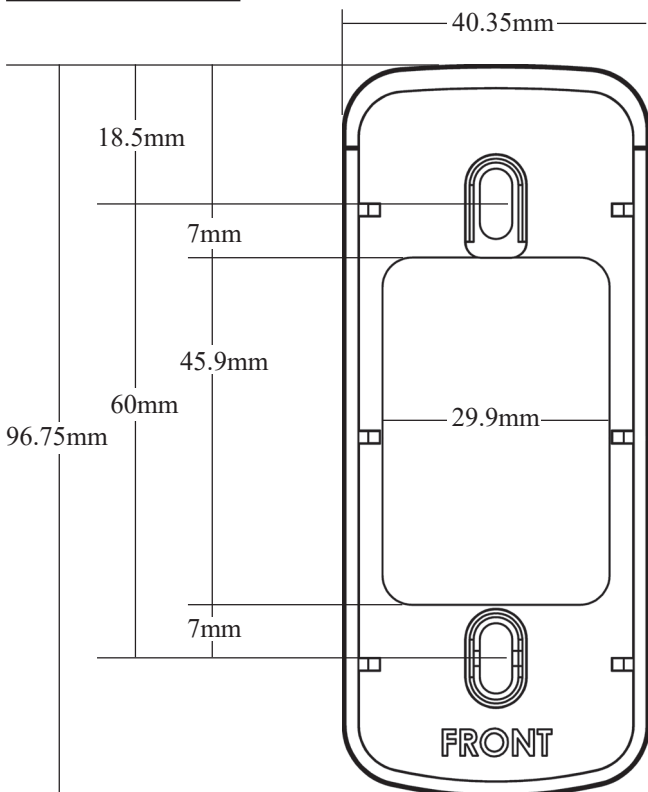
Dimensions

Height: 96.75mm Width: 40.35mm Depth: 10mm
 SIFER Reader + Spacer Depth: 26.25mm

SIFER Reader Optical Tamper Sensor

The sensor has been tested on a variety of surfaces with the Spacer fitted and found to work reliably. However, if the Spacer causes unreliable tamper detector operation on a particular mounting surface, adding a white or reflective sticker or a dot of white paint, etc. on the mounting surface immediately behind the sensor will assist.

Detailed Dimensions



Due to on-going product development this manual is subject to change without notice. www.innerrange.com.au
 © 2021. Inner Range Pty. Ltd. Doc. Part No: 639037

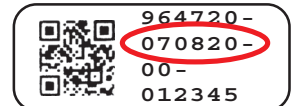
SIFER Reader Spacer Mk2

P/N: 999037

The SIFER Reader Spacer allows a SIFER Reader to be installed on a metallic surface without degrading the read range. Mounting holes align with those on the Reader Mounting Plate and the cable entry cutout allows the Spacer to be fitted on a Reader that is already installed without disconnecting the cable.

Compatibility

The Mk2 Spacer is for SIFER Readers with a date code of 070820 (7th Aug. 2020) or later on the barcode label on the rear of the Reader. Readers with date codes earlier than this require the Mk1 Spacer; P/N: 999033.



Parts List

- SIFER Reader Spacer. - Installation manual. (This doc.)

Dimensions

Height: 96.75mm Width: 40.35mm Depth: 10mm
 SIFER Reader + Spacer Depth: 26.25mm

SIFER Reader Optical Tamper Sensor

The sensor has been tested on a variety of surfaces with the Spacer fitted and found to work reliably. However, if the Spacer causes unreliable tamper detector operation on a particular mounting surface, adding a white or reflective sticker or a dot of white paint, etc. on the mounting surface immediately behind the sensor will assist.

Installation

Follow the instructions in the SIFER Reader Installation Manual taking note of the additional instructions below.

New Installations.

At Step 3, after drilling the holes and fitting any wall plugs or anchors that may be required, place the Spacer and Mounting Plate into position and then secure them to the mounting surface. See *Figure 2*.

Existing Reader Installations.

If the Spacer is being added to a Reader that is already installed on a metallic surface, perform the following steps:

1. Check that Reader tamper monitoring is disabled for the Reader/s you will be working on.
2. Remove the countersunk screw at the bottom of the Reader and lift the Reader off the Mounting Plate from the bottom.
3. Remove the screws that secure the Mounting Plate to the mounting surface. Lift the Mounting Plate away from the surface and clip it into the rear of the reader.
4. Pass the Spacer over the Reader and cable as shown in *Figure 1*, and position it behind the Reader
5. Unclip the Mounting Plate from the Reader, place the Spacer and Mounting Plate into position and then secure them to the mounting surface as shown in *Figure 2*. Re-fit the Reader to the Mounting Plate and secure with the countersunk screw.

NOTE: The original Mounting Plate screws may need to be replaced with screws that are approximately 10mm longer.



Figure 1



Figure 2

Installation

Follow the instructions in the SIFER Reader Installation Manual taking note of the additional instructions below.

New Installations.

At Step 3, after drilling the holes and fitting any wall plugs or anchors that may be required, place the Spacer and Mounting Plate into position and then secure them to the mounting surface. See *Figure 2*.

Existing Reader Installations.

If the Spacer is being added to a Reader that is already installed on a metallic surface, perform the following steps:

1. Check that Reader tamper monitoring is disabled for the Reader/s you will be working on.
2. Remove the countersunk screw at the bottom of the Reader and lift the Reader off the Mounting Plate from the bottom.
3. Remove the screws that secure the Mounting Plate to the mounting surface. Lift the Mounting Plate away from the surface and clip it into the rear of the reader.
4. Pass the Spacer over the Reader and cable as shown in *Figure 1*, and position it behind the Reader
5. Unclip the Mounting Plate from the Reader, place the Spacer and Mounting Plate into position and then secure them to the mounting surface as shown in *Figure 2*. Re-fit the Reader to the Mounting Plate and secure with the countersunk screw.

NOTE: The original Mounting Plate screws may need to be replaced with screws that are approximately 10mm longer.



Figure 1



Figure 2