

# R40PCH SERIES

Door Hold Open Magnets WALL Mounted

## R40PCH DESCRIPTION

The **LOX R40PCH** Door Hold Open Magnets are operating on a fail-safe principle similar to common Electro Magnetic Locking Devices.

Door Hold Open Magnets consist of a round electromagnetic lock and steel armature plate.

Doors with Door Hold Open Magnets installed are usually required to remain in an open position for the general public or pedestrians and can be released by dropping the power to the device.

The R40PCH Series devices are WALL mounted with extensions and come in **12VDC** and **24VDC**.



## R40PCH

DOOR HOLD OPEN MAGNETS WALL MOUNTED

## SPECIFICATIONS

R40PCH-12	DOOR HOLD OPEN MAGNETS WALL MOUNTED 12VDC 108MM LONG
R40PCH-24	DOOR HOLD OPEN MAGNETS WALL MOUNTED 24VDC 108MM LONG
HOLDING STRENGTH	UP TO 25KG
VOLTAGE/CURRENT	12VDC = 160mA 24VDC = 80mA

**LOX**  
LOCKING

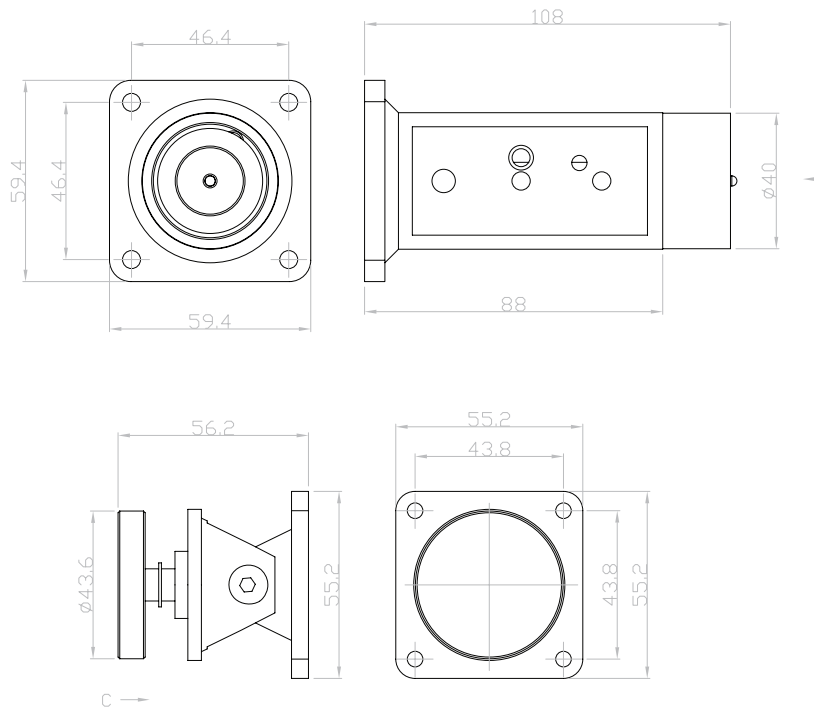
LOX LOCKING PTY LTD | [www.loxlocking.com.au](http://www.loxlocking.com.au)

**LOX**<sup>®</sup>

# R40PCH SERIES

Door Hold Open Magnets WALL Mounted

## PRODUCT DIMENSIONS



Dimensions (mm)

## R40PCH FACTS

- Wall mounted
- Up to 25kg holding force
- 12 and 24VDC options
- Operating in fail safe mode
- 2 years warranty

**LOX**  
LOCKING

LOX LOCKING PTY LTD | [www.loxlocking.com.au](http://www.loxlocking.com.au)

**LOX**<sup>®</sup>