

NDA-7100-PIPEF Pipe mount fiber for AUTODOME 7100i

AUTODOME 7100i



- ▶ Allows installation of an AUTODOME camera to a 1.5" NPT pipe
- ▶ Supplies a direct fiber connection to the camera
- ▶ White finish to match other mounting accessories

The NDA-7100-PIPEF is a pipe mount accessory with direct fiber connection. Use this accessory to mount AUTODOME 7100i and AUTODOME 7100i IR cameras to which you want to connect fiber.

Installation/configuration notes

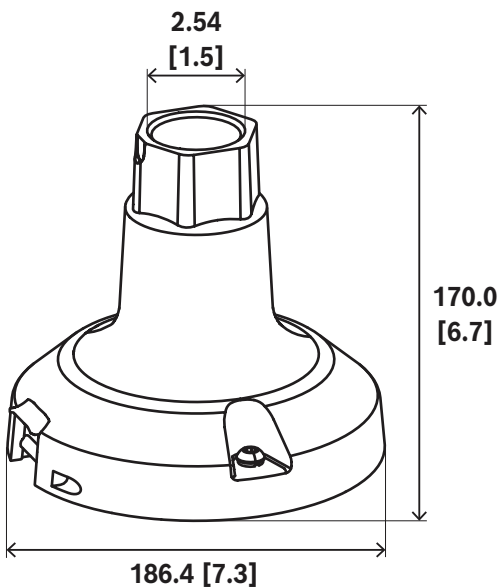


Fig. 1: Dimensions in mm (in.) of NDA-7100-PIPE | NDA-7100-PIPEF

Parts included

Quantity	Component
1	Pipe mount for AUTODOME 7100i or AUTODOME 7100i IR camera

Quantity	Component
1	Roll of Teflon tape
1	5mm hex key
1	Quick Installation Guide for AUTODOME 7100i camera + pipe mount

Technical specifications

Impact protection	IK10
Material	Anodized cast Aluminum
Color in RAL	RAL 9003 Signal white
Coating type	Powder coat
Material finish	Smooth
Dimensions (Ø x H) (mm)	186.42 mm x 150 mm
Dimensions (Ø x H) (in)	7.30 in x 5.90 in
Weight (kg)	1.20 kg
Weight (lb)	2.60 lb

Ordering information

NDA-7100-PIPEF Pipe mount fiber for AUTODOME 7100i

Pipe mount with direct fiber connection for AUTODOME 7100i and AUTODOME 7100i IR cameras

Order number **NDA-7100-PIPEF | F.01U.395.440**

Represented by:

Europe, Middle East, Africa:

Bosch Security Systems B.V.
P.O. Box 80002
5600 JB Eindhoven, The Netherlands
Phone: + 31 40 2577 284
www.boschsecurity.com/xc/en/contact/
www.boschsecurity.com

Germany:

Bosch Sicherheitssysteme GmbH
Robert-Bosch-Ring 5
85630 Grasbrunn
Tel.: +49 (0)89 6290 0
Fax: +49 (0)89 6290 1020
de.securitysystems@bosch.com
www.boschsecurity.com

North America:

Bosch Security Systems, LLC
130 Perinton Parkway
Fairport, New York, 14450, USA
Phone: +1 800 289 0096
Fax: +1 585 223 9180
onlinehelp@us.bosch.com
www.boschsecurity.com

Asia-Pacific:

Robert Bosch (SEA) Pte Ltd, Security Systems
11 Bishan Street 21
Singapore 573943
Phone: +65 6571 2808
Fax: +65 6571 2699
www.boschsecurity.com/xc/en/contact/
www.boschsecurity.com