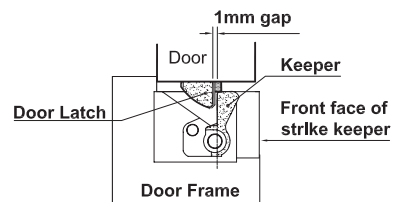
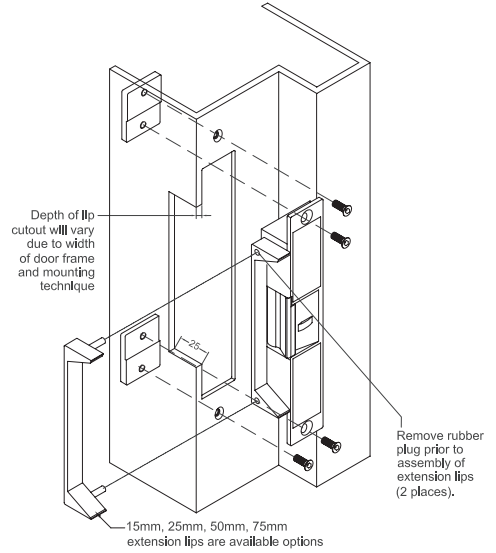
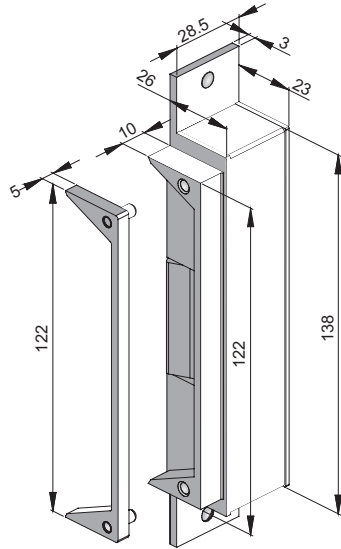
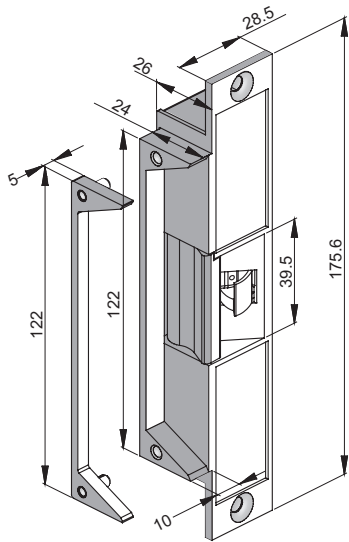


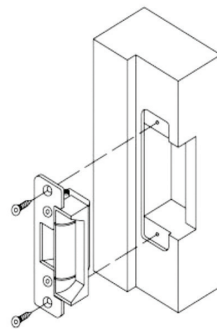
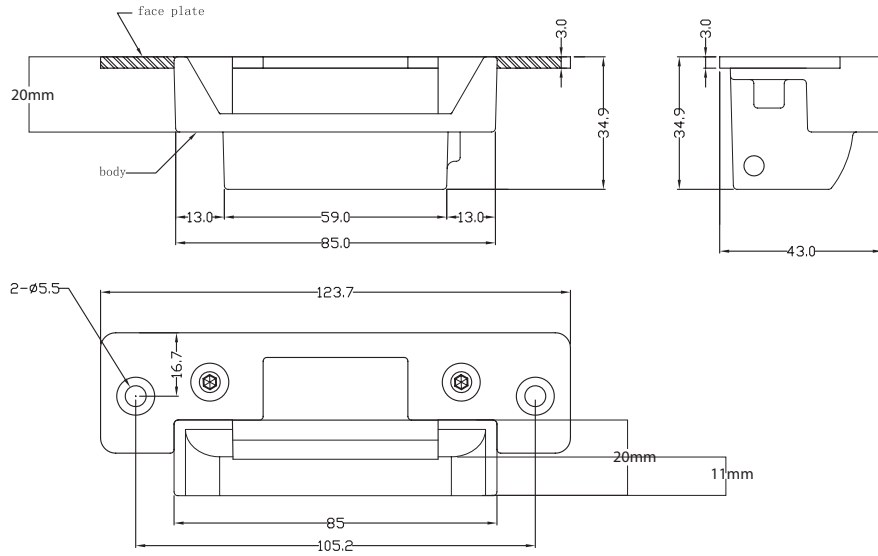
Product Dimensions and Installation



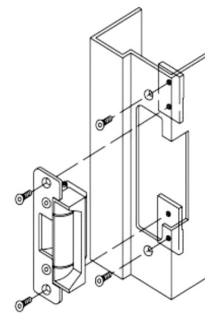
Product Codes & Accessories

Part No.	Product Description
FES90M-P	HIGH SECURITY ELECTRIC STRIKE WITH PRE-LOAD CAPABILITIES AUSTRALIAN FOOTPRINT MONITORED 10MM LIP
FES20-EL15	FES20 EXTENSION LIP 15MM
FES20-EL25	FES20 EXTENSION LIP 25MM
FES20-EL50	FES20 EXTENSION LIP 50MM
FES20-EL75	FES20 EXTENSION LIP 75MM
FES20-REBATE	REBATE KIT FOR FES20 SERIES AND FES90MP (STAINLESS STEEL)
FES90M-P-S	FES90M-P (SCEC VERSION)

Product Dimensions and Installation



Mounting Installation on wooden door frame



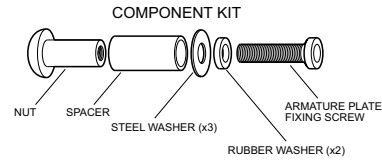
Mounting installation on metal, aluminium or PVC door frame

Product Codes & Accessories

Part No.	Product Description
FESI0M	ELECTRIC STRIKE ANSI FOOTPRINT MONITORED
FESI0	ELECTRIC STRIKE ANSI FOOTPRINT NON-MONITORED
FESI0-EL15	FESI0 EXTENSION LIP 15MM
FESI0-EL25	FESI0 EXTENSION LIP 25MM
FESI0-EL50	FESI0 EXTENSION LIP 50MM
FESI0-EL75	FESI0 EXTENSION LIP 75MM

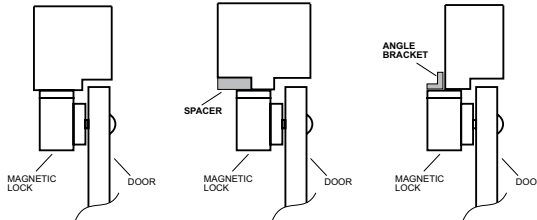
Product Dimensions and Installation

ARMATURE MOUNTING PLATE DETAIL

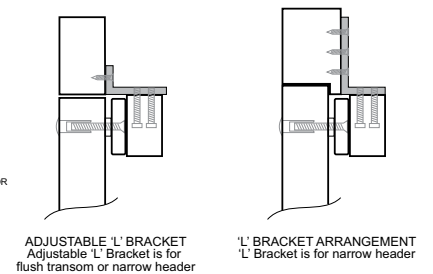


ARMATURE PLATES MUST BE INSTALLED WITH THE COMPONENTS SHOWN ABOVE. THESE COMPONENTS ARE PROVIDED WITH EACH ELECTROMAGNETIC LOCK. (TO AVOID MALFUNCTION OF THE LOCK DO NOT USE PARTS OTHER THAN THOSE PROVIDED ABOVE).

METHODS OF FIXING MAGNETIC LOCKS ON DIFFERENT FRAME PROFILES

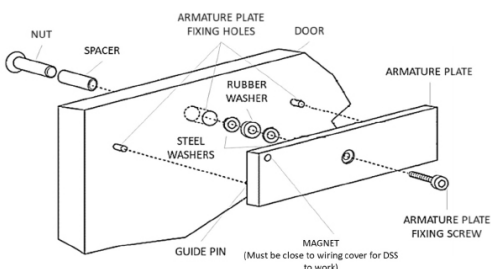


TYPICAL FIXING OF MAGNETIC LOCK ON OUT-SWINGING DOOR

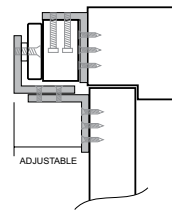


ADJUSTABLE 'L' BRACKET
Adjustable 'L' Bracket is for flush transom or narrow header

'L' BRACKET ARRANGEMENT
'L' Bracket is for narrow header

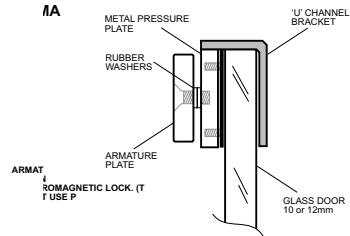


TYPICAL FIXING OF MAGNETIC LOCK ON IN-SWINGING DOOR



'L' & 'Z' BRACKET ARRANGEMENT

FIXING ARMATURE PLATE ON FRAMELESS GLASS DOORS



Product Codes & Accessories

Part No.	Product Description
AMAB4300	ARMATURE PLT BRKT FEM4300
AMAB4300-BLK	ARMATURE PLT BRKT FEM4300-BLK
AMLB4300	L-ADJ BRACKET FEM4300(M)
AMLB4300-BLK	L-ADJ BRACKET FEM4300(M)-BLACK
AMZB4300	L&Z BRACKET FEM4300(M)
AMZB4300-BLK	L&Z BRACKET FEM4300(M)-BLACK
AMZB4300D	L&Z BRACKET FEM4300D(M)
FEM4300	SLIM 280KG NON-MON SINGLE
FEM4300-AP	ARMATURE PLATE FEM4300
FEM4300-MP	MOUNTING PLATE FEM4300
FEM4300-MP-BLK	MOUNTING PLATE FEM4300-BLACK
FEM4300D	SLIM 280KG NON-MON DOUBLE
FEM4300D-MP	MOUNTING PLATE FEM4300D
FEM4300D-MP-BLK	MOUNTING PLATE FEM4300D-BLACK
FEM4300DM	SLIM 280KG MON DOUBLE
FEM4300DM-BLK	SLIM 280KG MON DOUBLE-BLACK
FEM4300M	SLIM 280KG MON SINGLE
FEM4300M-AP	ARMATURE PLATE FEM4300M
FEM4300M-BLK	SLIM 280KG MON SINGLE-BLACK

PRODUCT LIST

FSH Electric Strikes FES90M-P Series

Item number	Item description
FES90M-P	HS ECOSTRIKE W/PRE-INCLUDE MO
FES90M-P-S	SCEC ENDORSED PRE-INCLUDE STR
FES90MP-L2	HS ECOSTRIKE W/PRE-INCLUDE MO

FES20 Series Item number

Item number	Item description
FES20	HS ELECTRIC STRIKE AUS FOOTPRI
FES20-EL15	FES20 EXTENSION LIP 15MM
FES20-EL25	FES20 EXTENSION LIP 25MM
FES20-EL50	FES20 EXTENSION LIP 50MM
FES20-EL75	FES20 EXTENSION LIP 75MM
FES20-REBATE	S/STEEL REBATE KIT FOR FES20 S
FES20/10MK	MOUNTING KIT FOR FES10/FES15/F
FES20M	HS ELECTRIC STRIKE AUS FOOTPRI
FES20M-M	HS ELECTRIC STRIKE WITH DOOR P

FES10 Series Item number

Item number	Item description
FES10	ELECTRIC STRIKE 12/24V WEATHER
FES10-EL15	FES10 EXTENSION LIP 15MM
FES10-EL25	FES10 EXTENSION LIP 25MM
FES10-EL50	FES10 EXTENSION LIP 50MM
FES10-EL75	FES10 EXTENSION LIP 75MM
FES10M	ELECTRIC STRIKE ANSI FP 12/24V

FES15 Series Item number

Item number	Item description
FES15	ELECTRIC STRIKE RIM MOUNTED 1
FES15M	ELECTRIC STRIKE 12/24V RIM MOUNTED

FES7 Series Item number

Item number	Item description
FES7	COMPACT ELECTRIC STRIKE 12V

FES112 Series Item number

Item number	Item description
FES112	HIGH SECURITY DEAD BOLT
FES112-P	PLUG KIT FOR FES112 PLUG KIT F

FES110 Series Item number

Item number	Item description
FES110-PTL	HS DEADLOCK STRIKE 12-30V PTL
FES110-PTO	HS DEADLOCK STRIKE 12-30V PTO

FSH Electromagnetic Locks FEM4300 Series

Item number	Item description
AMAB4300	ARMATURE PLT BRKT FEM4300
AMAB4300-BLK	ARMATURE PLT BRKT FEM4300-BLK
AMLB4300	L-ADJ BRACKET FEM4300(M)
AMLB4300-BLK	L-ADJ BRACKET FEM4300(M)-BLACK
AMZB4300	L&Z BRACKET FEM4300(M)
AMZB4300-BLK	L&Z BRACKET FEM4300(M)-BLACK
AMZB4300D	L&Z BRACKET FEM4300D(M)
FEM4300	SLIM 280KG NON-MON SINGLE
FEM4300-AP	ARMATURE PLATE FEM4300
FEM4300-MP	MOUNTING PLATE FEM4300
FEM4300-MP-BLK	MOUNTING PLATE FEM4300-BLACK
FEM4300D	SLIM 280KG NON-MON DOUBLE
FEM4300D-MP	MOUNTING PLATE FEM4300D
FEM4300D-MP-BLK	MOUNTING PLATE FEM4300D-BLACK
FEM4300DM	SLIM 280KG MON DOUBLE
FEM4300DM-BLK	SLIM 280KG MON DOUBLE-BLACK
FEM4300M	SLIM 280KG MON SINGLE
FEM4300M-AP	ARMATURE PLATE FEM4300M
FEM4300M-BLK	SLIM 280KG MON SINGLE-BLACK

FEM6600 Series Item number

Item number	Item description
AMAB6600	ARMATURE PLT BRKT FEM6600
AMLB6600	L-ADJ BRACKET FEM6600(M)
AMZB6600	L&Z BRACKET FEM6600(M)
AMZB6600D	L&Z BRACKET FEM6600D(M)
FEM6600	STD 580KG NON-MON SINGLE
FEM6600-AP	ARMATURE PLATE FEM6600
FEM6600-MP	MOUNTING PLATE FEM6600
FEM6600D	STD 580KG NON-MON DOUBLE
FEM6600D-MP	MOUNTING PLATE FEM6600
FEM6600DM	STD 580KG MON DOUBLE
FEM6600M	STD 580KG MON SINGLE
FEM6600M-AP	ARMATURE PLATE FEM6600M
UBG185	U-BKT GLASS SGL FEM4300/6600
UBG185-BLK	U-BKT FEM4300/6600-BLK

FSH Electric Mortice Locks FEL990

Item number	Item description
FEL990	990 ELECT LK VEST F/SECURE LH
FEL990M	990 ELECT LK VEST F/SAFE MONT

Electromechanical Drop Bolts HL1260

Item number	Item description
HL1260	990 ELECT LK VEST F/SECURE LH
HL1260-SMK	990 ELECT LK VEST F/SAFE MONT

VE1260

Item number	Item description
VE1260GL-DO12	VE1260 GLASS DOOR MOUNT - DOOR
VE1260GL-FR	VE1260 GLASS DOOR MOUNT FRAME
VE1260R	VE-LOCK PRE-INCLUDE DROP BOLT (ROUND)
VE1260R-ST4	STD STRIKE PLATE 27MM SPARE PA
VE1260S	VE-LOCK PRE-INCLUDE DROP BOLT (SQUARE)
VE1260S-ST12	STRIKE PLATE 40MM FOR VE1260 S
VE1260S-ST4	STD STRIKE PLATE 27MM SPARE PA
VE1260S-ST6	STRIKE PLATE 31MM FOR VE1260 S
VE1260S-ST9	STRIKE PLATE 35MM FOR VE1260 S

FSH Electromagnetic Locks FSSI

Item number	Item description
FSSI-ADAPTSM3	FSSL SM3 ADAPTER PLATE
FSSL-F	FLUSH MOUNT HIGH SEC DOOR MONI
FSSL-L	FSSL L BRACKET
FSSL-S	SURFACE MOUNT HIGH SEC MONITOR
FSSL-S-NC	SURFACE MOUNT HIGH SEC MON -NO
FSSL-SLI-NC	FSSL SLIDING DOOR NC SURFACE S
FSSI-SPACE6	FSSL 6MM SPACER
FSSI-Z45	FSSL Z BRACKET

FSH Electromagnetic Door Holders 3500 Series

Item number	Item description
17297	ARMATURE PLATE FOR DOOR HOLDER
35770	12V MAGNET DOOR HOLDER WALL
35770/150/90	12/24V DOOR HOLDER FLOOR MOUNT
35770/150/S	12/24V DOOR HOLDER WALL MOUNT
35770/300/90	12/24V DOOR HOLDER FLOOR MOUNT
35770/300/S	12/24V DOOR HOLDER WALL MOUNT
35770M	12/24V DOOR HOLDER WALL MOUNT
35771	24V MAGNETIC DOOR HOLDER WALL
35772	FLOOR MOUNTED BOX FOR DOOR HOL

Schlage Electronic Smart Locks Schlage Omnia

Item number	Item description
BZ100	SCHLAGE WI-FI BRIDGE
BZ200	SCHLAGE CARD ENCODER
BZ300	SCHLAGE KEYPAD CONTROLLER
SCEOM99MB	SCHLAGE OMNIA

Von Duprin Exit Devices**Von Duprin Chexit Controlled Exit Device**

Numerous accessories available. Contact Allegion for more information.