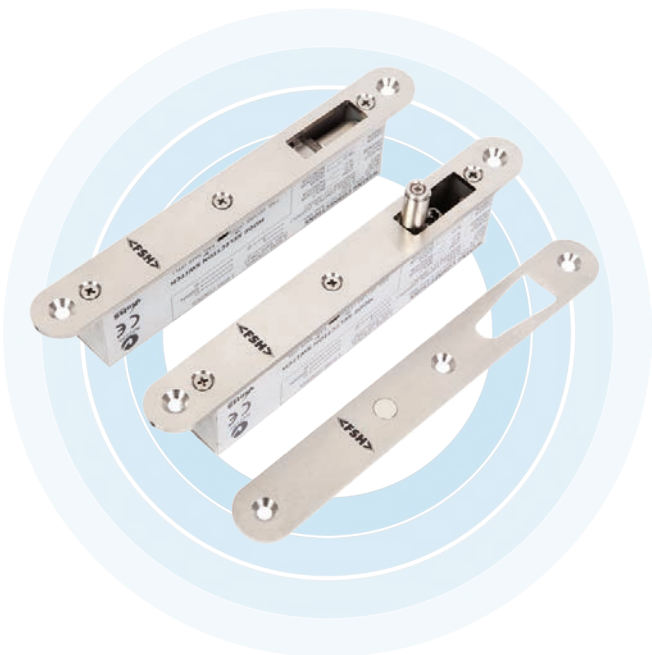


VEI260

DROP BOLT



The patented VEI260 is a high torque motor driven drop bolt with up to 35kg pre-load/side load tolerance. It can be installed vertically in the door frame (lock style) or horizontally in the frame header and has a symmetric dead-bolt mechanism to allowing it to be used on 180° degree swing through doors.

The VEI260 consumes an inrush current of 290mA@12VDC only during locking and unlocking action (Active Mode), then in the locked or unlocked state (Sleep Mode), the drop bolt consumes current less than 15mA@12VDC.

A series of additional Strike Plates allow for door misalignment of up to ±12mm and a retrofit version of the FSH Lock is available to suit the PADDE/TRIMEC ES8000 drop bolt footprint.

We recommend to operate the product in 3-Wire-Mode (See installation manual). An optional LED red/green indicator unit is available.

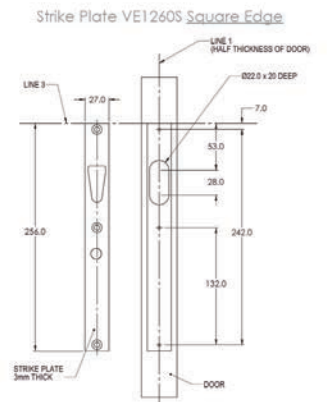
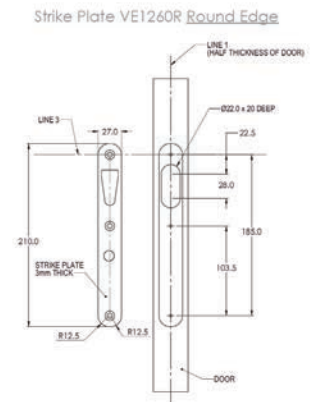
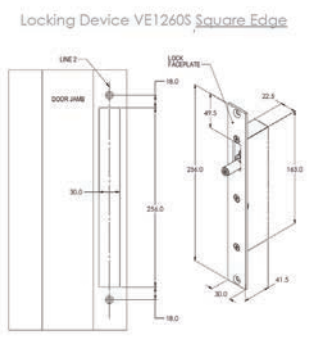
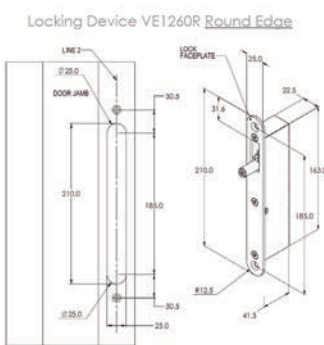
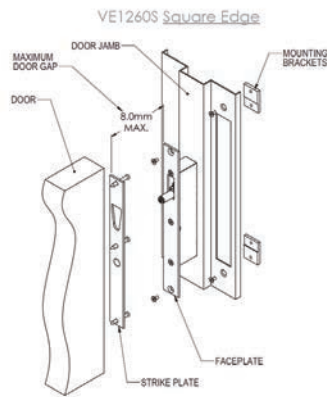
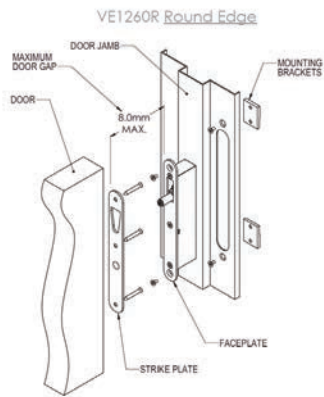
Technical Details

Part No.	VEI260
Approvals	CE/UL
Function	Mortice Mount, Power To Lock (PTL) / Power To Open (PTO) field interchangeable, up to 35kg of Pre-Load capability
Holding Strength	Up to 1000kg
Voltage/Current	Multi Voltage 11-30VDC Active Mode: Locking/Unlocking cycle current is 0.29A to 0.85A depending on the side load. More side load = more current. Sleep-Mode: After locking/unlocking the current drops down to ~0.015A (15mA)
Monitoring	Lock Status Sensor of the internal locking mechanism Door Status Sensor Built-in reed switch, monitoring the door position
Temperature Range	-20° to +60°C
Maximum Door Gap	8mm
Finish	Satin Stainless Steel (SSS)

Product Features

- Releases with up to 35kg of Pre-Load/Side Load (3-wire mode)
- Durability tested to 400,000 cycles
- Multi Voltage operation 11-30VDC
- Sleep-Mode Current less than 15mA@12VDC
- Fully monitored including reed switch for door position
- Up to 1000kg Holding Strength
- Up to 4-hour fire rated in accordance with AS1905.1:2015 (contact Allegion for more details)
- Conforms to S3* (Security) and D3 (Durability) Australian Lock Standard (AS4145.2 : 1993)
- 5 year warranty
- Retrofit version for Trimec/PADDE ES8000 (VEI260S Square Edge Version)
- CE/UL
- HLI260-SMK is an optional accessory

Product Dimensions and Installation



Product Code & Accessories

Part No.	Product Description
VEI260GL-DO12	VEI260 GLASS DOOR MOUNT - DOOR
VEI260GL-FR	VEI260 GLASS DOOR MOUNT FRAME
VEI260R	VE-LOCK PRE-INCLUDE DROP BOLT
VEI260R-ST4	STD STRIKE PLATE 27MM SPARE PA
VEI260S	VE-LOCK PRE-INCLUDE DROP BOLT
VEI260S-ST12	STRIKE PLATE 40MM FOR VEI260 S
VEI260S-ST4	STD STRIKE PLATE 27MM SPARE PA
VEI260S-ST6	STRIKE PLATE 31MM FOR VEI260 S
VEI260S-ST9	STRIKE PLATE 35MM FOR VEI260 S