

FSSI SERIES

HIGH SECURITY SENSORS



The FSSI Series of High Security Door Monitoring Sensors are designed to provide a true high security solution for door position monitoring.

It is an award winning, state-of-the-art monitoring solution with a flush mount version for new construction, and surface mount version as a superior replacement for traditional magnetic balanced reed sensors.

Specifically developed for high security applications in government, high risk and defence installations, the FSSI Series high security door monitoring sensors consist of seven magnetic sensors that are used to detect a unique magnetic footprint from an array of magnets on the magnetic face plate. One sensor is used to detect the position of the magnetic face plate in relation to the device, while the other six sensors are used to determine the polarity, size, strength and position of the magnets on the unique magnetic face plate in relation to the memorised pattern.

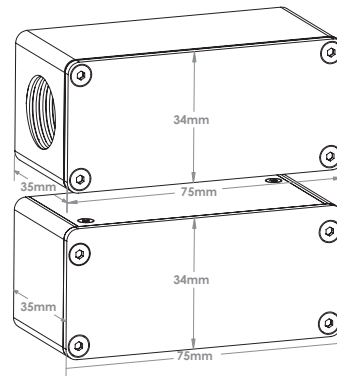
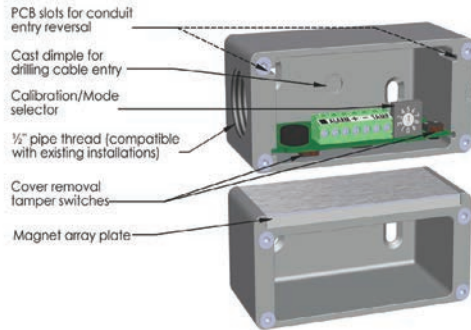
The sensor is designed to operate on a hinged door swinging in one direction. The FSSI is equipped with sophisticated anti-tamper facilities. The product is listed in the Australian Government Security Equipment Evaluated Product List (SEEPL) and UL listed to UL 634.2.

Technical Details

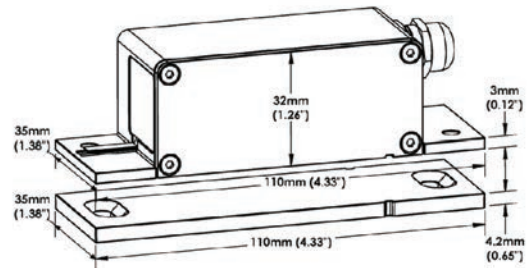
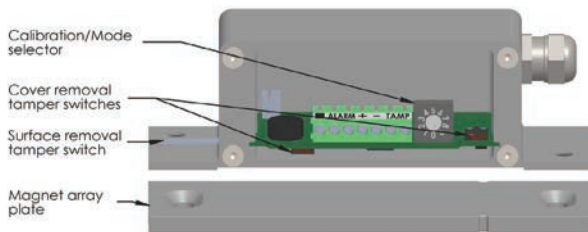
Part No.	FSSI-S / FSSI-S-NC	FSSI-F
Function	FSSI-S - Surface mount conduit version FSSI-S-NC - Surface mount no conduit version	Flush mount version (morticed)
Voltage/Current	10 - 30VDC / <10mA - Can now be powered by Type 1/1A and Class 5 E.O.L Modules	
Approvals / Security Level	SCEC Security Level 4 (SL4) Approved	U.L. 634 Level 2 Rated to IP67 RCM Compliant
Alarm Contacts (2)	Circuit board x 1 for alarm, flying lead x 1 for access control etc., both N.O. & common, 0.25A @ 30V	
Tamper Contact (1)	N.C. & common, 0.2A @ 30V	
Door Gap	1.5 - 7mm vertical door gap, and up to 15mm door movement for alarm to trigger	
End of Line	Space for end-of-line encryption modules, or resistor/s	
Array Magnets	Up to 8 magnets for unique magnetic footprint	
Hall Effect Sensors	7	
Patents	Patents granted and pending worldwide based on PCT/AU2014/000210	
Manufacture	Designed & manufactured in Australia	

Product Dimensions

FSSI-S Surface mount conduit version FSSI-S-NC surface mount no conduit version



FSSI-F flush mount version



Product Codes & Accessories

Part No.	Product Description
FSSI-ADAPTSM3	FSSI SM3 ADAPTER PLATE
FSSI-F	FLUSH MOUNT HIGH SEC DOOR MONITOR
FSSI-L	FSSI L BRACKET
FSSI-S	SURFACE MOUNT HIGH SEC MONITOR
FSSI-S-NC	SURFACE MOUNT HIGH SEC MONITOR -NO CONDUIT
FSSI-SLI-NC	FSSI SLIDING DOOR NC SURFACE S (CONTACT ALLEGION BEFORE ORDERING)
FSSI-SPACE6	FSSI 6MM SPACER
FSSI-Z45	FSSI Z BRACKET