

FES20 SERIES

HIGH-SECURITY ELECTRIC STRIKES AUSTRALIAN FOOTPRINT



The patented FES20 Series high security electric strikes are manufactured from stainless steel, accept voltages from 11 to 30VDC and have a simple and unique Power To Lock (PTL) / Power To Open (PTO) field interchangeable mechanism, with no loose screws or pins.

All FES20 strikes come with a 10mm strike lip as standard and are also pre-drilled for extension lips.

The FES20M monitored electric strike provides full monitoring including LSS (Lock Status Sensor), DSS (Door Status Sensor) and ATS (Anti-Tamper Sensor).

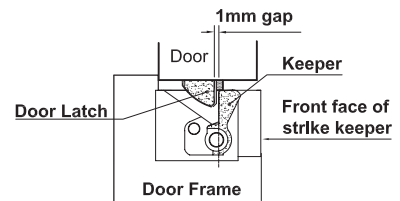
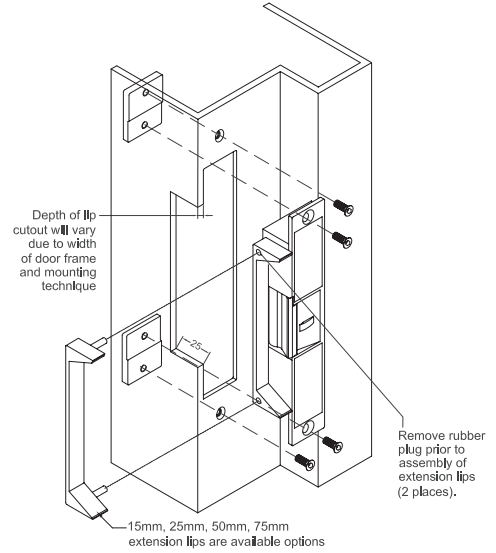
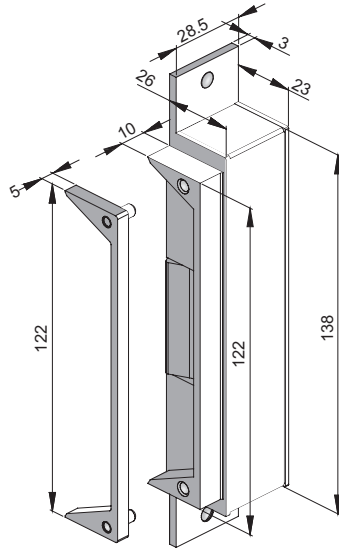
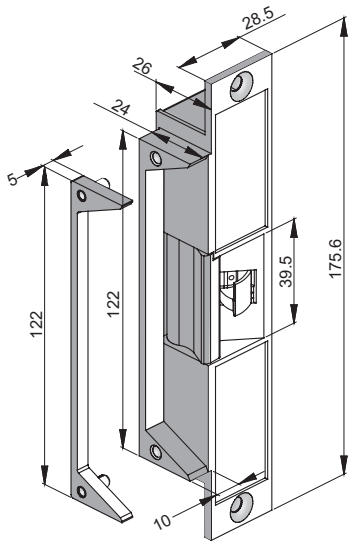
Technical Details

Part No.	FES20M	FES20
Function	Mortice mount, Power To Lock (PTL) / Power To Open (PTO) field interchangeable	
Holding Strength	Up to 1200kg Tested to 2 million cycles	
Voltage/Current	Multi Voltage 11-30VDC. 220mA @12VDC. 120mA @ 24VDC. 80mA @ 30VDC	
Approvals	Up to 4-hour fire rated in accordance with AS1905.1:2015 (contact Allegion for more details) CE/UL SCEC Approved (FES20M)	
Monitoring	FES20 Non monitored FES20M Fully monitored. Anti Tamper Sensor (ATS). Door Status Sensor (DSS). Lock Status Monitoring Sensor (LSS)	

Product Features

- 5 year warranty
- Simple Power To Lock (PTL) / Power To Open (PTO) field interchangeable mechanism
- No loose pins and springs
- Pre-drilled for extension lips
- Mounting kit included
- CE/UL

Product Dimensions and Installation



Product Codes & Accessories

Part No.	Product Description
FES20	HIGH SECURITY ELECTRIC STRIKE AUSTRALIAN FOOTPRINT NON-MONITORED 10MM LIP
FES20M	HIGH SECURITY ELECTRIC STRIKE AUSTRALIAN FOOTPRINT MONITORED 10MM LIP
FES20-REBATE	REBATE KIT FOR FES20 SERIES (STAINLESS STEEL)