

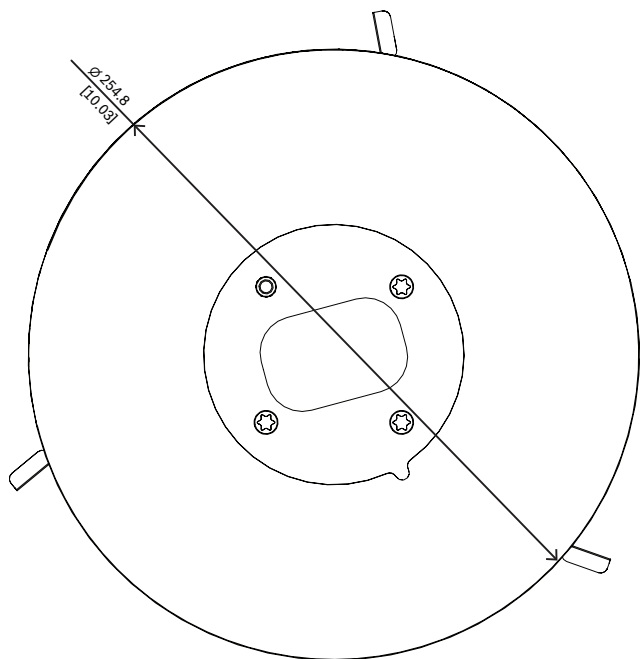
NDA-5070-IC In-ceiling mount kit

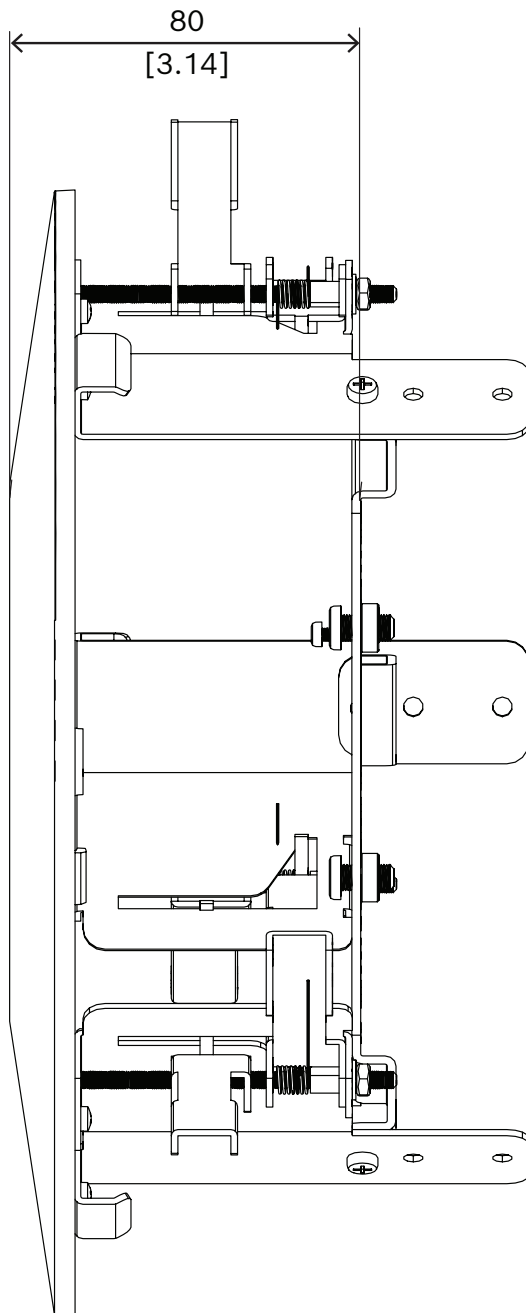


- ▶ Applicable for FLEXIDOME indoor 5100i, FLEXIDOME indoor 5100 IR, FLEXIDOME outdoor 5100i, and FLEXIDOME outdoor 5100i IR

The in-ceiling mount kit is applicable for FLEXIDOME indoor 5100i, FLEXIDOME indoor 5100 IR, FLEXIDOME outdoor 5100i, and FLEXIDOME outdoor 5100i IR.

Installation/configuration notes





Dimensions in mm (inch)

Parts included

Quantity	Component
1	In-ceiling mount kit
4	Torx T25 M6x10L

Quantity	Component
1	Quick installation guide

Technical specifications

Mechanical

Dimension (Ø x H) (mm)	254.8 mm x 80 mm
Dimension (Ø x H) (in)	10.03 in x 3.15 in
Weight (g)	910 g
Weight (lb)	2 lb
Color in RAL	RAL 9003 Signal white
Material	Steel plate cold-rolled commercial grade

Ordering information

NDA-5070-IC In-ceiling mount kit

In-ceiling mount kit for FLEXIDOME indoor 5100i, FLEXIDOME indoor 5100i IR, FLEXIDOME outdoor 5100i, and FLEXIDOME outdoor 5100i IR
Order number **NDA-5070-IC | F.01U.401.739**

Represented by:

Europe, Middle East, Africa:
Bosch Security Systems B.V.
P.O. Box 80002
5600 JB Eindhoven, The Netherlands
Phone: +31 40 2577 284
www.boschsecurity.com/xc/en/contact/
www.boschsecurity.com

Germany:
Bosch Sicherheitssysteme GmbH
Robert-Bosch-Ring 5
85630 Grasbrunn
Tel.: +49 (0)89 6290 0
Fax: +49 (0)89 6290 1020
de.securitysystems@bosch.com
www.boschsecurity.com

North America:
Bosch Security Systems, LLC
130 Perinton Parkway
Fairport, New York, 14450, USA
Phone: +1 800 289 0096
Fax: +1 585 223 9180
onlinehelp@us.bosch.com
www.boschsecurity.com

Asia-Pacific:
Robert Bosch (SEA) Pte Ltd, Security Systems
11 Bishan Street 21
Singapore 573943
Phone: +65 6571 2808
Fax: +65 6571 2699
www.boschsecurity.com/xc/en/contact/
www.boschsecurity.com