

# DB38L

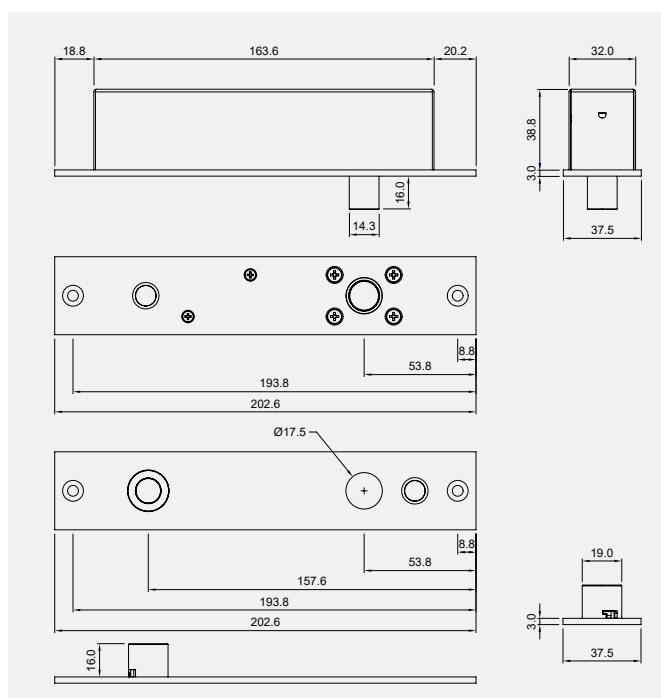
## Electronic Deadbolt Lock - Mag-latch

The DB38L brings together two critical features; the highest holding force of any of the door lock range of products and the innovative latching device designed to align the door.

First the magnetic latch ensures the correct positioning of the lock and strike before the DB38L activates and secures the door with its deadbolting pin.

### Features

- Dual Action - magnetic latch to capture the door and deadbolt to secure the door
- Automatic deadbolting
- 14.2mm diameter stainless steel bolt pin
- Anti-tailgate and Anti-tamper
- Auto-relock after 0/3/6/9 seconds
- Multiple attempts to lock and unlock
- Thermal overheating protection
- Reverse polarity and transient protection
- Dual monitoring with door and bolt position monitors
- Mortise mount horizontally or vertically, on single or double acting doors
- Surface mount with the aid of the DB38L accessories, including mounting onto glass



### Dimensions - Lock

| Item     | Article Number | Description                             |
|----------|----------------|---|
| DB38LPTL | 940000001818   | DB38L D/BOLT W/LATCH12-24VDC F/SAFE MTD |
| DB38LPTO | 940000001819   | DB38L D/BOLT W/LATCH 12-24VDC F/SEC MTD |



### Specifications

|                              |                                     |
|------------------------------|-------------------------------------|
| <b>Lock</b>                  | 203L x 37.5W x 44D(mm)              |
| <b>Long Strike - DBA183G</b> | 203L x 37.5W x 19D(mm)              |
| <b>Housing - DBA174J</b>     | 206L x 41W x 49D(mm)                |
| <b>Dress Plate - DBA176J</b> | 210L x 0.7W x 50D(mm)               |
| <b>Holding Force</b>         | 20,000N (2000Kg)                    |
| <b>Voltage at Lock</b>       | 12 - 24VDC +/-10%                   |
| <b>Current Usage</b>         |                                     |
| Holding                      | 230mA@12V, 90mA@24V                 |
| Operating                    | 1.5A@12V, 1.4A@24V                  |
| <b>Monitors Switches</b>     |                                     |
| Bolt Position                | 25VDC, 0.5A                         |
| Door Position                | 100VDC, 0.5A                        |
| <b>Endurance</b>             | Cycle tested to 1000000 operations  |
| <b>Materials</b>             | Plastics: POM, Stainless Steel: 304 |