

DB25K

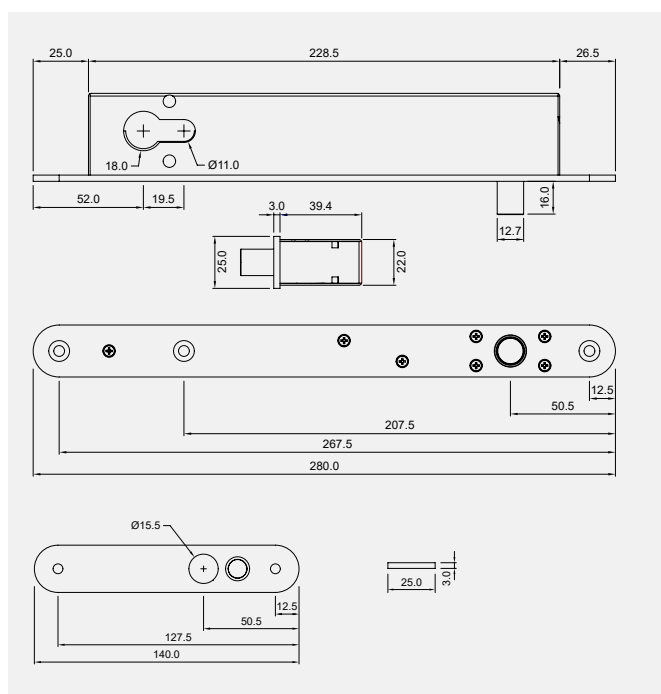
Electronic Deadbolt Lock

Incorporates the same advanced design, quality and electronic ingenuity as the DB25 with the added flexibility of a manual key override.

Despite the addition of the key override mechanism the streamlined design is maintained allowing the DB25K to provide a high security, yet versatile, door locking solution.

Features

- A Euro style key cylinder can be used to manually control the lock
- Automatic deadbolting
- 12.7mm diameter stainless steel bolt pin
- Anti-tailgate and Anti-tamper
- Auto-relock after 0/3/6/9 seconds
- Multiple attempts to lock and unlock
- Thermal overheating protection
- Reverse polarity and transient protection
- Dual monitoring with door and bolt position monitors
- Mortice mount horizontally or vertically, on single or double acting doors
- Surface mount with the aid of the DB25K accessories, including mounting onto glass



Dimensions - Lock

| Item | Article Number | Description |
|----------|----------------|--|
| DB25KPTL | 9400000001814 | DB25K D/BOLT KEY O/R 12-24VDC F/SAFE MTD |
| DB25KPTO | 9400000001815 | DB25K D/BOLT KEY O/R 12-24VDC F/SEC MTD |



Specifications

| | |
|--------------------------|-------------------------------------|
| Lock | 280L x 25W x 42D(mm) |
| Short Strike - DBA143A | 140L x 25W x 3D(mm) |
| Long Strike - DBA143E | 280L x 25W x 3D(mm) |
| Bolt Housing - DBA144J | 294L x 29W x 46.5D(mm) |
| Strike Housing - DBA145J | 294L x 29W x 46.5D(mm) |
| Dress Plate - DBA146J | 294L x 0.7W x 50D(mm) |
| Holding Force | 10,000N (1000Kg) |
| Voltage at Lock | 12 - 24VDC +/-10% |
| Current Usage | |
| Holding | 160mA@12V, 95mA@24V |
| Operating | 1.25A@12V, 1A@24V |
| Monitors Switches | |
| Bolt Position | 25VDC, 0.5A |
| Door Position | 100VDC, 0.5A |
| Endurance | Cycle tested to 1000000 operations |
| Materials | Plastics: POM, Stainless Steel: 304 |