



Network

Dome

# PND-A6081RV

2MP AI IR Dome Camera



## Key Features

- Maximum 2MP resolution, Up to 120fps
- 0.007Lux@F1.3, 1/30sec. (Color), 0Lux (B/W, IR LED on)
- Day & Night (ICR), WDR (120dB), WiseNR II (Using AI engine)
- H.265, H.264, MJPEG, WiseStream II, WiseStream III (Using AI engine)
- Video Analytics based on AI
  - Object detection and classification (Person, Face, Vehicle, License Plate)
  - Face mask detection, Social distancing detection
  - Attribute, BestShot
- TPM with FIPS 140-2 level2, Secure boot, Verify firmware forgery
- System requirements
  - SSM v2.10.8 or later, Genetec plugin v1.0 or later, Milestone plugin v1.0.2 or later, NVR model (XRN-6410DB4/B4, XRN-3210B4)
- Hard-coated dome bubble, IP52, IK10

## Compatible Accessories (Optional)



SPB-IND85W



SBC-160B



SBP-167HMW



SBP-300MMW



SBP-300MMW1



SBP-300CMW



SBP-300LMW



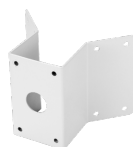
SBP-300PMW



SBP-300BW



SBP-300NBW



SBP-300KMW

# PND-A6081RV

## 2MP AI IR Dome Camera



### Specifications

#### Video

<b>Imaging Device</b>	1/2" CMOS
<b>Resolution</b>	1920x1080, 1280x1024, 1280x960, 1280x720, 1024x768, 800x600, 800x448, 720x576, 720x480, 640x480, 640x360
<b>Max. Framerate</b>	H.265/H.264: Max. 60/50fps(60Hz/50Hz, AI analytics on), Max. 120/100fps(60Hz/50Hz, AI analytics off) MJPEG: Max. 15fps/12fps(60Hz/50Hz)
<b>Min. Illumination</b>	Color: 0.007Lux(F1.3, 1/30sec, 30IRE) B/W : 0.0007Lux(F1.3, 1/30sec, 30IRE), 0Lux(IR LED on), 30/25fps Color: 0.014Lux(F1.3, 1/60sec, 30IRE) B/W : 0.0014Lux(F1.3, 1/60sec, 30IRE), 0Lux(IR LED on), 60/50fps Color: 0.028Lux(F1.3, 1/120sec, 30IRE) B/W : 0.0028Lux(F1.3, 1/120sec, 30IRE), 0Lux(IR LED on), 120/100fps
<b>Video Out</b>	CVBS: 1.0 Vp-p / 75Ω composite, 720x480(N), 720x576(P) for installation USB: Micro USB Type B, 1280x720 for installation

#### Lens

<b>Focal Length (Zoom Ratio)</b>	4.38~9.33mm(2.13x) motorized varifocal
<b>Max. Aperture Ratio</b>	F1.3(Wide)~F2.15(Tele)
<b>Angular Field of View</b>	H:103.1°(Wide)~44.5°(Tele) / V:54.2°(Wide)~24.9°(Tele) / D:124°(Wide)~51.1°(Tele)
<b>Min. Object Distance</b>	0.5m(1.64ft)
<b>Focus Control</b>	Simple focus
<b>Lens Type</b>	P iris

#### Pan / Tilt / Rotate

<b>Pan / Tilt / Rotate Range</b>	0~360 / -45~85 / 0~355
----------------------------------	------------------------

#### Operational

<b>Camera Title</b>	Displayed up to 85 characters
<b>Day &amp; Night</b>	Auto(ICR)
<b>Backlight Compensation</b>	BLC, WDR, SDR
<b>Wide Dynamic Range</b>	120dB
<b>Digital Noise Reduction</b>	SSNR, WiseNR II (using AI engine)
<b>Digital Image Stabilization</b>	Stabilization Support(built-in gyro sensor)
<b>Motion Detection</b>	8ea, polygonal zones
<b>Privacy Masking</b>	6ea, rectangle zones - Color: Gray/Green/Red/Blue/Black/White
<b>Gain Control</b>	Low / Middle / High
<b>White Balance</b>	ATW / AWC / Manual / Indoor / Outdoor
<b>LDC</b>	Support
<b>Electronic Shutter Speed</b>	Minimum / Maximum / Anti flicker (1/5~1/12,000sec) Auto prefer shutter control based on AI engine
<b>Video Rotation</b>	Flip, Mirror, Hallway view(90/270)
<b>Analytics</b>	Classified object type : Person/Face/Vehicle/License plate Attributes : Person(Gender, Color and Bag), Face(Age, Gender, Mask and Glasses), Vehicle(Type:car/bus/truck/motorcycle/bicycle and Color) Support Bestshot per object Analytics events based on AI engine - Object detection, Virtual line*(Crossing/Direction), Virtual area*(Loitering/Intrusion/Enter/Exit), Face mask detection, Digital auto tracking, Social distancing detection Analytics events - Defocus detection, Motion detection, Tampering, Audio detection, Sound classification, Shock detection, Virtual area(Appear/Disappear)  *Some of the video analytics only works with people and vehicle detection

<b>Business Intelligence</b>	People counting, Queue management, Heatmap based on AI engine
<b>Alarm I/O</b>	2 configurable I/O ports, DC 12V output(Max. 50mA)
<b>Alarm Triggers</b>	Analytics, Network disconnect, Alarm input
<b>Alarm Events</b>	File upload via FTP and e-mail Notification via e-mail SD/SDHC/SDXC or NAS recording at event triggers Alarm output Handover Audio playback
<b>Audio In</b>	Selectable(mic in/line in/built-in mic) Supply voltage: 2.5VDC(4mA), Input impedance: 2K Ohm
<b>Audio Out</b>	Line out, Max.output level: 1Vrms
<b>IR Viewable Length</b>	40m(131.23ft), Wise IR

## Network

<b>Ethernet</b>	Metal shielded RJ-45(10/100/1000 BASE-T)
<b>Video Compression</b>	H.265/H.264: Main/High, MJPEG
<b>Audio Compression</b>	G.711 u-law /G.726 Selectable G.726(ADPCM) 8KHz, G.711 8KHz G.726: 16Kbps, 24Kbps, 32Kbps, 40Kbps AAC-LC: 48Kbps at 16KHz
<b>Smart Codec</b>	Manual(Sea area), WiseStream II , WiseStreamIII(using AI engine)
<b>Bitrate Control</b>	H.264/H.265: CBR or VBR MJPEG: VBR
<b>Streaming</b>	Unicast(6 users) / Multicast Multiple streaming(Up to 5 profiles)
<b>Protocol</b>	IPv4, IPv6, TCP/IP, UDP/IP, RTP(UDP), RTP(TCP), RTCP,RTSP, NTP, HTTP, HTTPS, SSL/TLS, DHCP, FTP, SMTP, ICMP, IGMP, SNMPv1/v2c/v3(MIB-2), ARP, DNS, DDNS, QoS, UPnP, Bonjour, LLDP, SRTP (TCP, UDP Unicast)
<b>Security</b>	HTTPS(SSL) Login Authentication Digest Login Authentication IP Address Filtering User access log 802.1X Authentication(EAP-TLS, EAP-LEAP) Device Certificate(Hanwha Techwin Root CA) TPM with FIPS 140-2 level2 Secure boot, Verify firmware forgery
<b>Application Programming Interface</b>	ONVIF Profile S/G/T SUNAPI(HTTP API) Wisenet open platform

## General

<b>Webpage Language</b>	English, French, German, Spanish, Italian, Chinese, Korean, Russian, Japanese, Swedish, Portuguese, Czech, Polish, Turkish, Dutch, Hungarian, Greek
<b>Edge Storage</b>	Micro SD/SDHC/SDXC 2slots 512GB
<b>Memory</b>	4096MB RAM, 512MB Flash

## Environmental & Electrical

<b>Operating Temperature / Humidity</b>	-25°C ~ +50°C (-13°F ~ +122°F) / Less than 90% RH
<b>Storage Temperature / Humidity</b>	-50°C ~ +60°C(-58°F ~ +140°F) / Less than 90% RH
<b>Certification</b>	IP52, IK10
<b>Input Voltage</b>	PoE+(IEEE802.3at), 12VDC
<b>Power Consumption</b>	PoE+: Max 19.50W, typical 16.00W 12VDC: Max 17.00W, typical 13.50W

## Mechanical

<b>Color / Material</b>	White / Aluminum, Hard-coated dome bubble
<b>RAL Code</b>	RAL9003
<b>Product Dimensions / Weight</b>	Ø160x125mm(6.30x4.92"), Weight : 1.60Kg (3.53lb)
<b>Compatible Conduit hole / Gangbox</b>	1/2"(M20) Single, Double, 4"Octagon, Square
<b>Hanging Mount (Dome)</b>	SBP-167HMW

## DORI (EN62676-4 standard)

<b>Detect (25PPM/ 8PPF)</b>	Wide: 30.5m(100.03ft) / Tele: 93.9m(307.95ft)
<b>Observe (63PPM/ 19PPF)</b>	Wide: 12.2m(40.01ft) / Tele: 37.5m(123.18ft)
<b>Recognize (125PPM/ 38PPF)</b>	Wide: 6.1m(20.01ft) / Tele: 18.8m(61.59ft)
<b>Identify (250PPM/ 76PPF)</b>	Wide: 3.0m(10.00ft) / Tele: 9.4m(30.79ft)

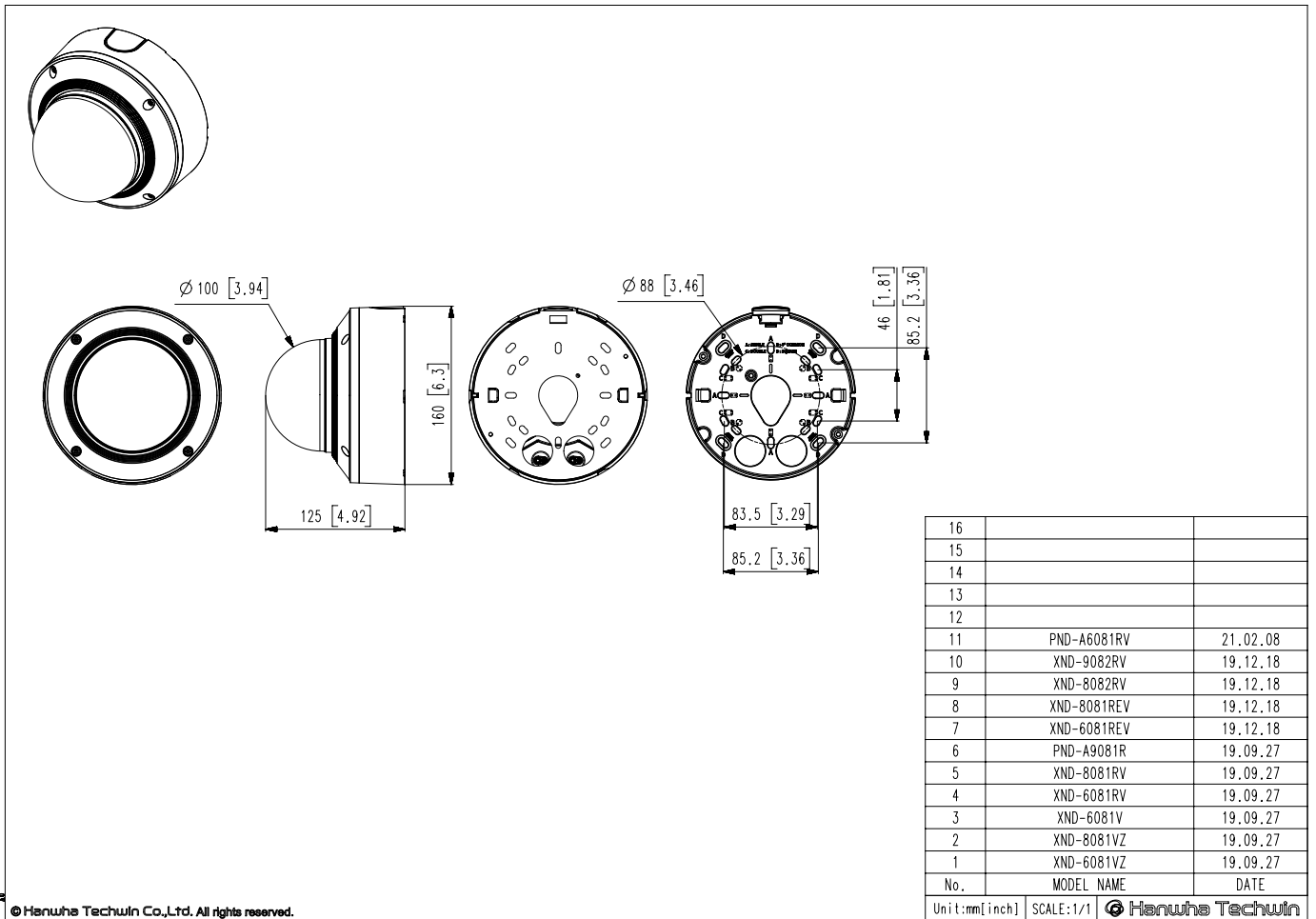
# PND-A6081RV

2MP AI IR Dome Camera



CAD

Unit: mm [inch]



© Hanwha Techwin Co., Ltd. All rights reserved.