

# R40 SERIES

Door Hold Open Magnets WALL Mounted

## R40 DESCRIPTION

The **LOX R40** Door Hold Open Magnets are operating on a fail-safe principle similar to common Electro Magnetic Locking Devices.

Door Hold Open Magnets consist of a round electromagnetic lock and steel armature plate.

Doors with Door Hold Open Magnets installed are usually required to remain in an open position for the general public or pedestrians and can be released by dropping the power to the device.

The R40 Series devices are WALL mounted and come in **12VDC** and **24VDC**.



### R40

DOOR HOLD OPEN MAGNETS WALL MOUNTED

### SPECIFICATIONS

R40-12	DOOR HOLD OPEN MAGNETS WALL MOUNTED 12VDC
R40-24	DOOR HOLD OPEN MAGNETS WALL MOUNTED 24VDC
HOLDING STRENGTH	UP TO 25KG
VOLTAGE/CURRENT	12VDC = 160mA 24VDC = 80mA

**LOX**  
LOCKING

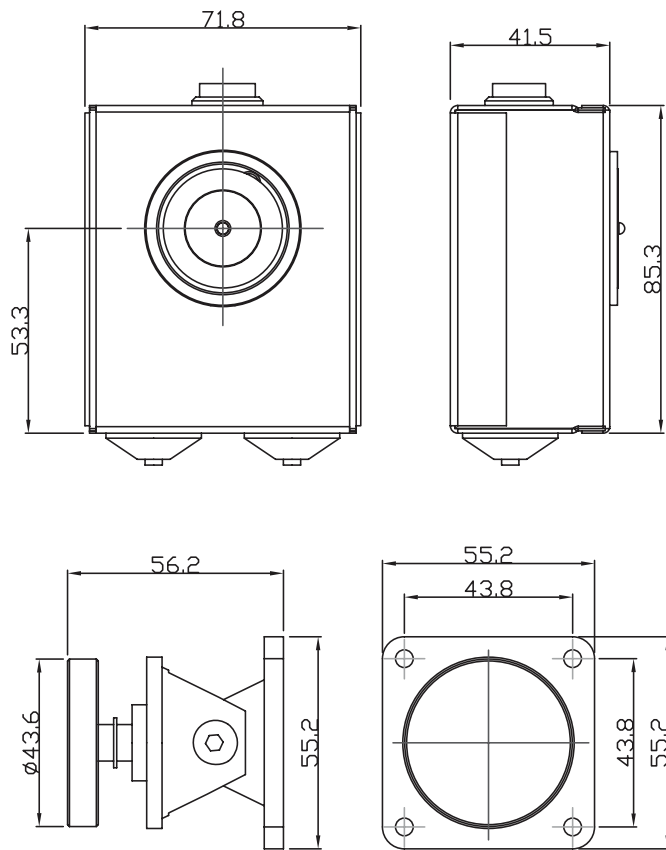
LOX LOCKING PTY LTD | [www.loxlocking.com.au](http://www.loxlocking.com.au)

**LOX**

# R40 SERIES

Door Hold Open Magnets WALL Mounted

## PRODUCT DIMENSIONS



Dimensions (mm)

## R40 FACTS

- Wall mounted
- Up to 25kg holding force
- 12 and 24VDC options
- Operating in fail safe mode
- 2 years warranty

**LOX**  
LOCKING

LOX LOCKING PTY LTD | [www.loxlocking.com.au](http://www.loxlocking.com.au)

**LOX**