



DS-K2M061 Secure Door Control Unit

User Manual

Legal Information

©2020 Hangzhou Hikvision Digital Technology Co., Ltd. All rights reserved.

About this Manual

The Manual includes instructions for using and managing the Product. Pictures, charts, images and all other information hereinafter are for description and explanation only. The information contained in the Manual is subject to change, without notice, due to firmware updates or other reasons. Please find the latest version of this Manual at the Hikvision website (<https://www.hikvision.com/>).

Please use this Manual with the guidance and assistance of professionals trained in supporting the Product.

Trademarks

HIKVISION and other Hikvision's trademarks and logos are the properties of Hikvision in various jurisdictions.

Other trademarks and logos mentioned are the properties of their respective owners.

Disclaimer

TO THE MAXIMUM EXTENT PERMITTED BY APPLICABLE LAW, THIS MANUAL AND THE PRODUCT DESCRIBED, WITH ITS HARDWARE, SOFTWARE AND FIRMWARE, ARE PROVIDED "AS IS" AND "WITH ALL FAULTS AND ERRORS". HIKVISION MAKES NO WARRANTIES, EXPRESS OR IMPLIED, INCLUDING WITHOUT LIMITATION, MERCHANTABILITY, SATISFACTORY QUALITY, OR FITNESS FOR A PARTICULAR PURPOSE. THE USE OF THE PRODUCT BY YOU IS AT YOUR OWN RISK. IN NO EVENT WILL HIKVISION BE LIABLE TO YOU FOR ANY SPECIAL, CONSEQUENTIAL, INCIDENTAL, OR INDIRECT DAMAGES, INCLUDING, AMONG OTHERS, DAMAGES FOR LOSS OF BUSINESS PROFITS, BUSINESS INTERRUPTION, OR LOSS OF DATA, CORRUPTION OF SYSTEMS, OR LOSS OF DOCUMENTATION, WHETHER BASED ON BREACH OF CONTRACT, TORT (INCLUDING NEGLIGENCE), PRODUCT LIABILITY, OR OTHERWISE, IN CONNECTION WITH THE USE OF THE PRODUCT, EVEN IF HIKVISION HAS BEEN ADVISED OF THE POSSIBILITY OF SUCH DAMAGES OR LOSS.

YOU ACKNOWLEDGE THAT THE NATURE OF THE INTERNET PROVIDES FOR INHERENT SECURITY RISKS, AND HIKVISION SHALL NOT TAKE ANY RESPONSIBILITIES FOR ABNORMAL OPERATION, PRIVACY LEAKAGE OR OTHER DAMAGES RESULTING FROM CYBER-ATTACK, HACKER ATTACK, VIRUS INFECTION, OR OTHER INTERNET SECURITY RISKS; HOWEVER, HIKVISION WILL PROVIDE TIMELY TECHNICAL SUPPORT IF REQUIRED.

YOU AGREE TO USE THIS PRODUCT IN COMPLIANCE WITH ALL APPLICABLE LAWS, AND YOU ARE SOLELY RESPONSIBLE FOR ENSURING THAT YOUR USE CONFORMS TO THE APPLICABLE LAW. ESPECIALLY, YOU ARE RESPONSIBLE, FOR USING THIS PRODUCT IN A MANNER THAT DOES NOT INFRINGE ON THE RIGHTS OF THIRD PARTIES, INCLUDING WITHOUT LIMITATION, RIGHTS OF PUBLICITY, INTELLECTUAL PROPERTY RIGHTS, OR DATA PROTECTION AND OTHER PRIVACY RIGHTS. YOU SHALL NOT USE THIS PRODUCT FOR ANY PROHIBITED END-USES, INCLUDING THE DEVELOPMENT OR PRODUCTION OF WEAPONS OF MASS DESTRUCTION, THE DEVELOPMENT OR

PRODUCTION OF CHEMICAL OR BIOLOGICAL WEAPONS, ANY ACTIVITIES IN THE CONTEXT RELATED TO ANY NUCLEAR EXPLOSIVE OR UNSAFE NUCLEAR FUEL-CYCLE, OR IN SUPPORT OF HUMAN RIGHTS ABUSES.

IN THE EVENT OF ANY CONFLICTS BETWEEN THIS MANUAL AND THE APPLICABLE LAW, THE LATER PREVAILS.

Data Protection

During the use of device, personal data will be collected, stored and processed. To protect data, the development of Hikvision devices incorporates privacy by design principles. For example, for device with facial recognition features, biometrics data is stored in your device with encryption method; for fingerprint device, only fingerprint template will be saved, which is impossible to reconstruct a fingerprint image.

As data controller, you are advised to collect, store, process and transfer data in accordance with the applicable data protection laws and regulations, including without limitation, conducting security controls to safeguard personal data, such as, implementing reasonable administrative and physical security controls, conduct periodic reviews and assessments of the effectiveness of your security controls.

Safety Instruction

Dangers

- The socket-outlet shall be installed near the equipment and shall be easily accessible.
- An all-pole mains switch shall be incorporated in the electrical installation of the building.
- Do not connect several devices to one power adapter as adapter overload may cause over-heat or fire hazard.
- If smoke, odors or noise rise from the device, turn off the power at once and unplug the power cable, and then please contact the service center.
- Shock hazard! Disconnect all power sources before maintenance.
- If the product does not work properly, please contact your dealer or the nearest service center. Never attempt to disassemble the device yourself. (We shall not assume any responsibility for problems caused by unauthorized repair or maintenance.)

Cautions

- The equipment has been designed, when required, modified for connection to an IT power distribution system.
- This equipment is suitable for mounting on concrete or other non-combustible surface only.
- The serial port of the equipment is used for debugging only.
- • Install the equipment according to the instructions in this manual.
 - To prevent injury, this equipment must be securely attached to the floor/wall in accordance with the installation instructions.
- No naked flame sources, such as lighted candles, should be placed on the equipment.
- Do not place the device in extremely hot (refer to the specification of the device for the detailed operating temperature), cold, dusty or damp locations, and do not expose it to high electromagnetic radiation.
- The device cover for indoor use shall be kept from rain and moisture.
- Exposing the equipment to direct sun light, low ventilation or heat source such as heater or radiator is forbidden (ignorance can cause fire danger).
- Please use a soft and dry cloth when clean inside and outside surfaces of the device cover, do not use alkaline detergents.
- Please keep all wrappers after unpack them for future use. In case of any failure occurred, you need to return the device to the factory with the original wrapper. Transportation without the original wrapper may result in damage on the device and lead to additional costs.

Available Models

Product Name	Product Model
Secure Door Control Unit	DS-K2M061

Contents

Chapter 1 Overview	1
1.1 Product Introduction	1
1.2 Appearance Introduction	2
Chapter 2 Interface Description	3
2.1 Cable Interface Description	3
2.2 Wiegand Interface Description	4
Chapter 3 Wiring Description	5
Chapter 4 Installation	6
4.1 DIP Switch Description	6
4.2 Install Secure Door Control Unit	7
Appendix A. Dimension	9
Appendix B. Communication Matrix and Device Command	10

Chapter 1 Overview

1.1 Product Introduction

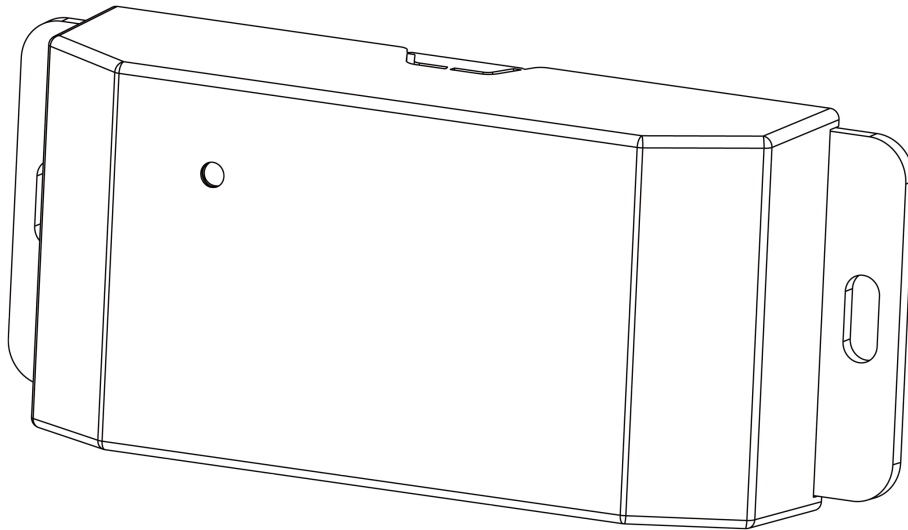


Figure 1-1 Appearance

Secure door control unit (hereinafter referred as "unit"), is to keep the door in the status before the access control terminal is crashed when the access control terminal is crashed or damaged by external force.

Secure door control unit is the middle layer between access control terminal and door lock in the access control system. The top side can be connected to access control terminal, and the bottom side can be connected to door contact, door magnetic, exit button, Wiegand card readers and other external devices. Equipped with access control equipment, it is safer to control the door.

1.2 Appearance Introduction

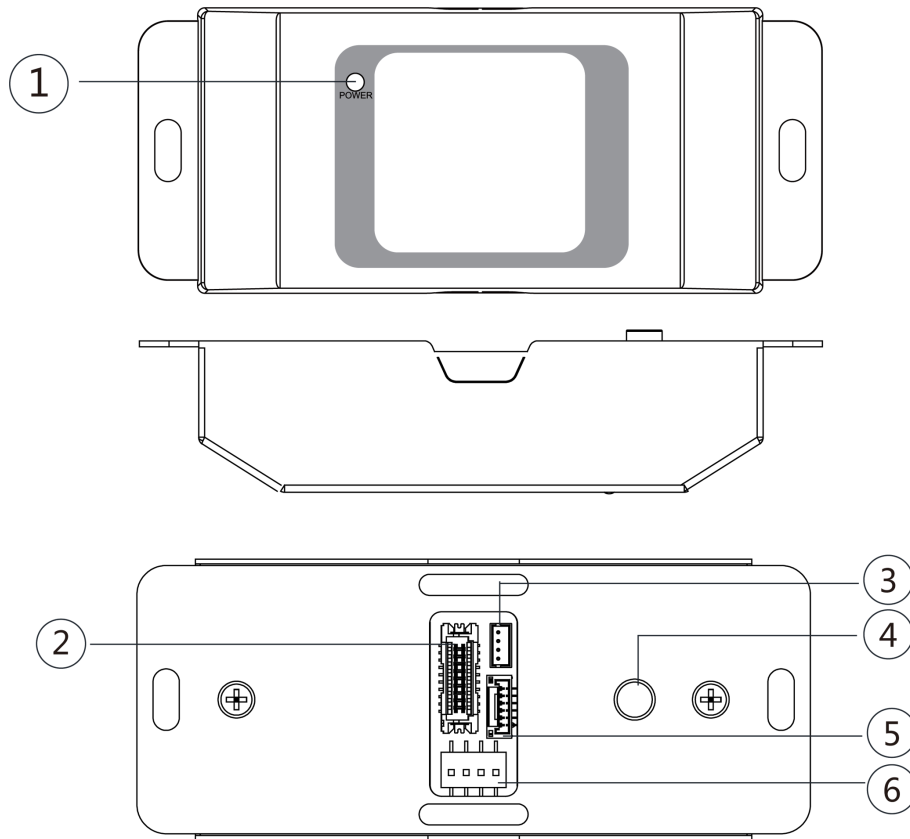



Figure 1-2 Appearance Description

Table 1-1 Appearance Description

No.	Description
1	LED indicator. The LED indicator only includes the power indicator (POWER). When the indicator light is solid red, it indicates the device is powered on.
2	Cable Interface
3	Debugging Port  Note The debugging port is for debugging use only.
4	Tamper
5	Wiegand Interface
6	DIP Switch

Chapter 2 Interface Description

Connect access control devices, secure door control unit, door locks, and other related output devices (you can choose connect Wiegand card reader) to establish communication.

2.1 Cable Interface Description

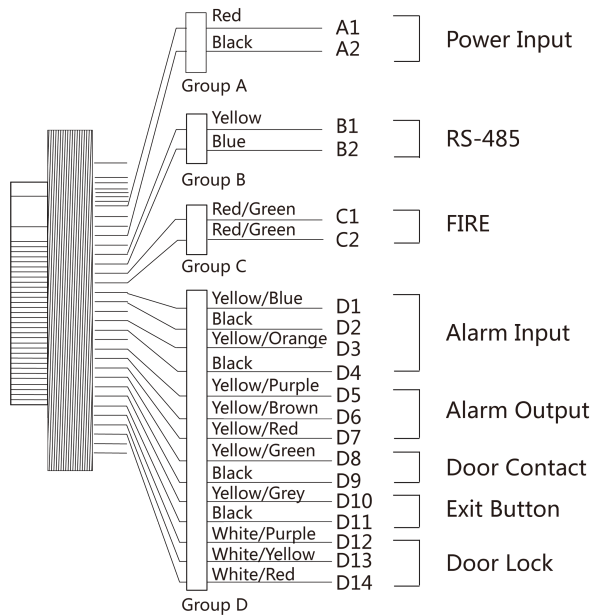


Figure 2-1 Cable Interface Description

Table 2-1 Cable Interface Description

Group No.	Cable No.	Color	Name	Description
Group A	A1	Red	+12 V	Power Input
	A2	Black	GND	
Group B	B1	Yellow	RS-485+	RS-485
	B2	Blue	RS-485-	
Group C	C1	Red/Green	FIRE+	FIRE
	C2	Red/Green	FIRE-	
Group D	D1	Yellow/Blue	ALM_IN1	Alarm Input
	D2	Black	GND	
	D3	Yellow/Orange	ALM_IN2	

Group No.	Cable No.	Color	Name	Description
	D4	Black	GND	Alarm Output
	D5	Yellow/Purple	ALM_NC	
	D6	Yellow/Brown	ALM_COM	
	D7	Yellow/Red	ALM_NO	
	D8	Yellow/Green	DOOR_SENSOR	Door Magnetic Input
	D9	Black	GND	
	D10	Yellow/Grey	DOOR_BUTTON	Exit Button
	D11	Black	GND	
	D12	White/Purple	DOOR_NC	Door Lock Output
	D13	White/Yellow	DOOR_COM	
	D14	White/Red	DOOR_NO	

2.2 Wiegand Interface Description

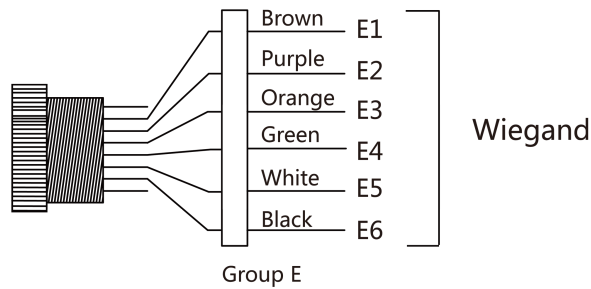


Figure 2-2 Wiegand Interface Description

Table 2-2 Wiegand Interface Description

Group	Cable No.	Color	Name	Description
Group E	E1	Brown	OK	Access Wiegand Card Reader
	E2	Purple	BZ	
	E3	Orange	ERR	
	E4	Green	W0	
	E5	White	W1	
	E6	Black	GND	

Chapter 3 Wiring Description

The wiring of external devices is as following.

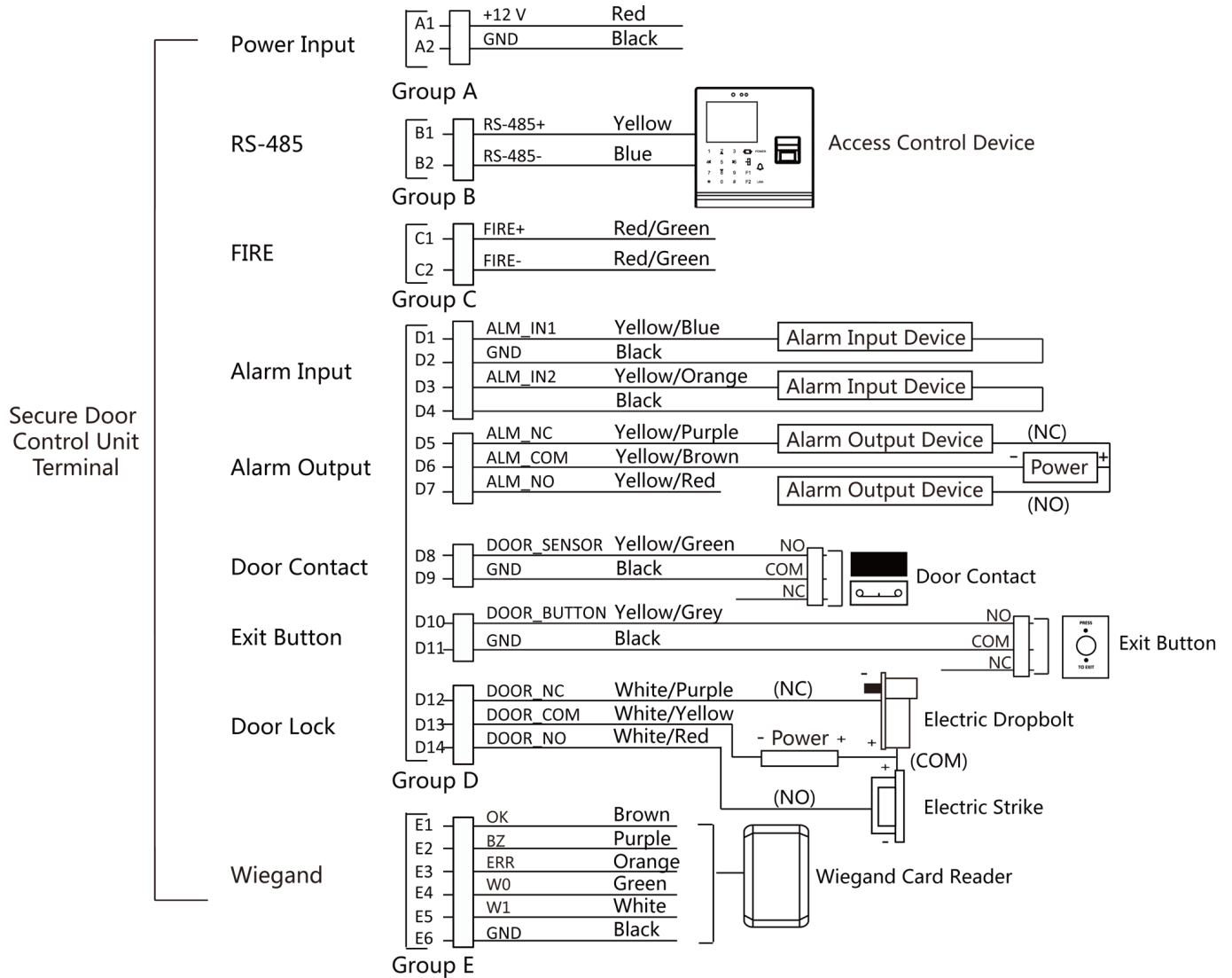


Figure 3-1 External Devices Wiring Description

Chapter 4 Installation

Before installing the secure door control unit, please set the DIP switch and connect it with the cable.

4.1 DIP Switch Description

Refer to *Appearance Introduction* for the position of DIP switch. DIP switch description is as shown in the following figure. No. 1 to 4 in the figure are switch No.

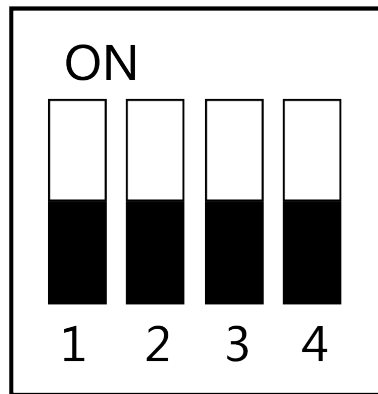


Figure 4-1 DIP Switch Description

DIP switch meaning is as shown in the following table.

Table 4-1 DIP Switch Meaning

Icon	Meaning
<input type="checkbox"/>	Represent 0 in binary mode
<input checked="" type="checkbox"/>	Represent 1 in binary mode

As shown in the figure below, the binary number represented by the DIP switch 1234 is 0011, which is the decimal address: 3.

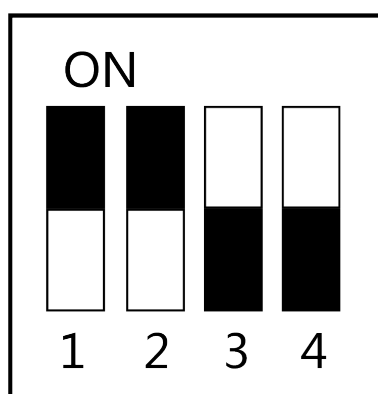


Figure 4-2 DIP Switch (Binary 0011)

 **Note**

- The DIP switch No. 1 to 3 are suitable for setting the RS-485 communication address. No. 4 is for Wiegand mode (OFF: Wiegand input, ON: Wiegand output).
 - The DIP address cannot be repeated.
-

4.2 Install Secure Door Control Unit

Steps

1. Set the DIP of the secure door control unit according to the actual access control device requirements.
-

 **Note**


The DIP binary ranges from 0001 to 1111.

2. Drill holes on the wall or other places according to the mounting template.
-

 **Note**

The minimum bearing weight of the wall or other places should be three times heavier than the device weight.

3. Insert the provided plastic sleeve of the A4 expansion screw into the punched hole.
 4. Insert the cable into the cable socket, and insert the Wiegand cable into the Wiegand interface.
-

 **Caution**

If the cable needs to be connected from the side of the device, knock out the knockout hole on one side.

5. Align the screw holes on both sides of the device with the sleeve in the wall and insert the provided screws to fix the device.
-

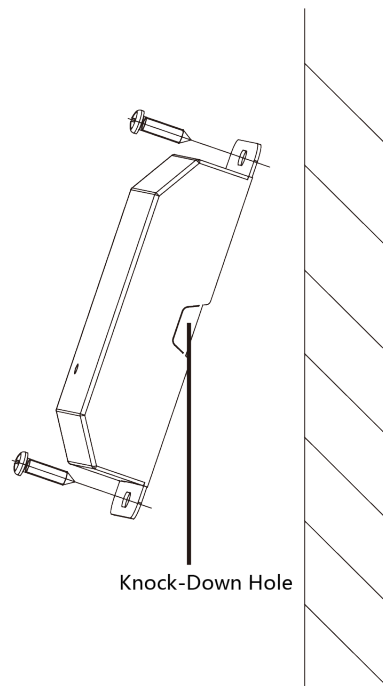


Figure 4-3 Install Secure Door Control Unit

Appendix A. Dimension

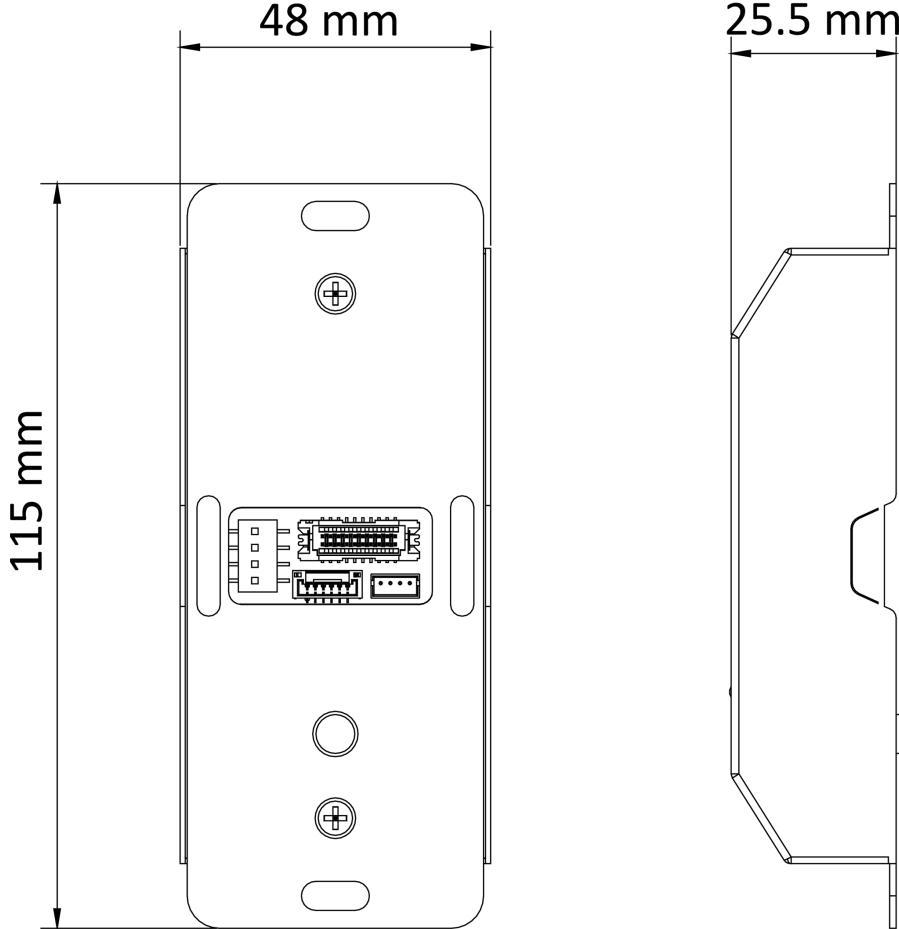


Figure A-1 Dimension

Appendix B. Communication Matrix and Device Command

Communication Matrix

Scan the following QR code to get the device communication matrix.

Note that the matrix contains all communication ports of Hikvision access control and video intercom devices.



Figure B-1 QR Code of Communication Matrix

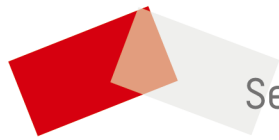
Device Command

Scan the following QR code to get the device common serial port commands.

Note that the command list contains all commonly used serial ports commands for all Hikvision access control and video intercom devices.



Figure B-2 Device Command



See Far, Go Further