

DS-2CE76U7T-ITMF 8 MP Ultra-Low Light Camera



Key Feature

- 8.29 MP, 3840 × 2160 resolution
- Ultra-low light
- 130 dB true WDR, 3D DNR
- 2.8 mm, 3.6 mm, 6 mm fixed lens
- Smart IR, up to 30 m IR distance
- 4 in 1 video output (switchable TVI/AHD/CVI/CVBS)
- IP67



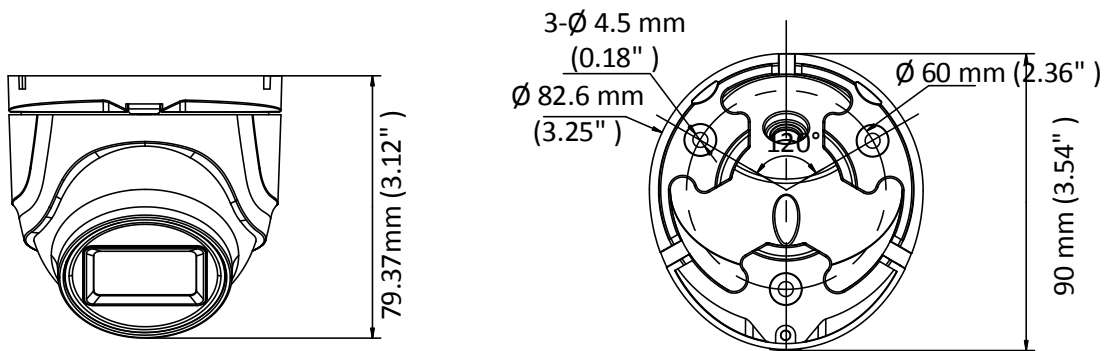
Specification

Camera	
Image Sensor	8.29 MP CMOS
Signal System	PAL/NTSC
Frame Rate	TVI: 8MP@12.5fps, 8MP@15fps, 5MP@20fps, 4MP@25fps, 4MP@30fps, 1080P@25fps, 1080P@30fps AHD: 8MP@12.5fps, 8MP@15fps CVI: 8MP@12.5fps, 8MP@15fps CVBS: P/N
Resolution	3840 (H) × 2160 (V)
Min. Illumination	0.003 Lux@(F1.2, AGC ON), 0 Lux with IR
Shutter Time	PAL: 1/12.5 s to 1/50,000 s NTSC: 1/15 s to 1/50,000 s
Lens	2.8 mm, 3.6 mm, 6 mm fixed lens
Horizontal Field of View	102° (2.8 mm), 79° (3.6 mm), 51° (6 mm)
Lens Mount	M16
Day & Night	ICR
WDR (Wide Dynamic Range)	≥130 dB
Angle Adjustment (Bracket)	Pan: 0° to 360°, Tilt:0° to 75°, Rotate: 0° to 360°
Menu	
Image Mode	STD/HIGH-SAT
AGC	Yes
Day/Night Mode	Auto/Color/BW (Black and White)
White Balance	Auto/Manual
AE (Auto Exposure) Mode	Global/BLC/HLC/WDR
Noise Reduction	3D DNR
Language	English
Functions	Brightness, Sharpness, Mirror, Smart IR
Interface	
Video Output	Switchable TVI/AHD/CVI/CVBS
General	
Operating Conditions	-40 °C to 60 °C (-40 °F to 140 °F), humidity: 90% or less (non-condensing)
Power Supply	12 VDC ± 25% <i>*You are recommended to use one power adapter to supply the power for one camera.</i>
Power Consumption	Max. 4.2 W
Protection Level	IP67
Material	Metal
IR Range	Up to 30 m
Communication	HIKVISION-C
Dimensions	90 mm × 79.37 mm (3.54" × 3.12")
Weight	Approx. 310 g (0.68 lb.)

Order Model

DS-2CE76U7T-ITMF

Dimension



Accessory



DS-1272ZJ-110-TRS
Wall Mount



DS-1275ZJ-SUS
Vertical Pole Mount



DS-1276ZJ-SUS
Corner Mount



DS-1280ZJ-XS
Junction Box

