

## NPD-9501-E Midspan 95W 1 port outdoor

### High POE midspans



The 95 W midspan is a high-power PoH (Power Over HDBase T) device that provides data and power between an Ethernet switch and an IP camera.

In the table below, an "X" identifies which midspans can supply power to which models of cameras.

Camera models	95 W outdoor model
AUTODOME 5000i models	X
AUTODOME 7000i - outdoor models (with heater)	X
All MIC 7000i / 7100i / 9000i models without illuminator	X
All MIC 7000i / 7100i / 9000i models with illuminator	X

#### Certifications and approvals

Electro-magnetic Compatibility (EMC)	Complies with FCC Part 15, and CE regulations, including EN 55032 Class B (emission), EN 55024 (Immunity), and VCCI
Product Safety	Complies with UL/cUL
Regulatory Compliance	RoHS compliant, WEEE compliant, CE



- ▶ Designed for outdoor installation
- ▶ Supports high-power PoE/PoH
- ▶ Lightning suppression
- ▶ Detects and protects non-standard Ethernet terminals automatically

Lightning suppression	Meets GR-1089-CORE lightning suppression demands
Surge suppression	ITU-T. K45 for outputs communication ports
Region	Regulatory compliance/quality marks
Europe	CE NPD-9501-E

#### Parts included

Quantity	Component
1	95W outdoor midspan
1	120 -240 VAC power plug
2	Waterproof cap covers for male RJ45 port plugs
1	Quick installation guide

#### Technical specifications

##### Electrical

Input voltage	100 to 240 VAC±10%, 50/60 Hz
Output voltage	54 VDC (nominal)
Input current	2.5 A (@ 100 VAC)

Available output power (maximum)	95 W
High Power Over Ethernet (High PoE) Output	Pin Assignment and Polarity: 4 Pair power - Pairs 1/2 (-) and 3/6 (+) - Pairs 7/8 (-) and 4/5 (+)
Surge suppression	Yes

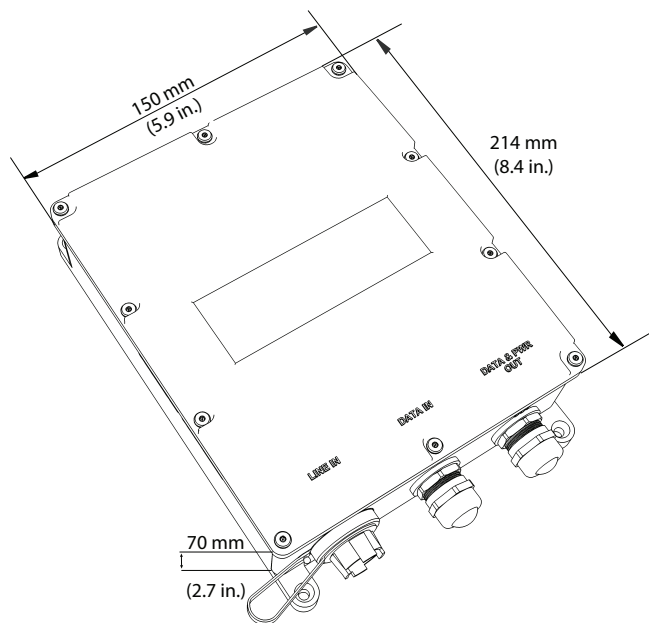
### Environmental

Operating Temperature	-40 °C to +60 °C (-40 °F to +140 °F)
Storage Temperature	-40 °C to +85 °C (-40 °F to +158 °F)
Operating Humidity	Maximum 95%, non-condensing
Storage Humidity	Maximum 95%, non-condensing
Operating Altitude	Up to 2000 m (6,560 ft)

Ingress Protection Rating/Standard	IP67
------------------------------------	------

### Construction

Dimensions (L x W x H)	214 mm x 150 mm x 70 mm (8.4 in. x 5.9 in. x 2.7 in.)
Weight	2.2 kg (4.85 lb)
Mounting options	To a wall; to a pole (25 mm - 203 mm) with the Pole mount adapter accessory (sold separately)



### Ordering information

#### NPD-9501-E Midspan 95W 1 port outdoor

95 W outdoor midspan for AUTODOME 7000 and MIC IP cameras with or without illuminators

Order number **NPD-9501-E** | **F.01U.365.279**

### Accessories

#### NDA-9501-PMA Pole mount adapter for NPD-9501-E

Pole mount adapter for outdoor midspan

Order number **NDA-9501-PMA** | **F.01U.374.407**

#### Represented by:

**Europe, Middle East, Africa:**  
Bosch Security Systems B.V.  
P.O. Box 80002  
5600 JB Eindhoven, The Netherlands  
Phone: + 31 40 2577 284  
emea.securitysystems@bosch.com  
emea.boschsecurity.com

**Germany:**  
Bosch Sicherheitssysteme GmbH  
Robert-Bosch-Ring 5  
85630 Grasbrunn  
Germany  
www.boschsecurity.com

**North America:**  
Bosch Security Systems, LLC  
130 Perinton Parkway  
Fairport, New York, 14450, USA  
Phone: +1 800 289 0096  
Fax: +1 585 223 9180  
onlinehelp@us.bosch.com  
www.boschsecurity.us

**Asia-Pacific:**  
Robert Bosch (SEA) Pte Ltd, Security Systems  
11 Bishan Street 21  
Singapore 573943  
Phone: +65 6571 2808  
Fax: +65 6571 2699  
apr.securitysystems@bosch.com  
www.boschsecurity.asia