



## Key Feature

- Wide angle lens capable with a 120 degree field of view
- 1080P high-definition resolution
- Empowering up to 5000/20000 face recognition and non-contact door opening with self-developed deep-learning algorithms and facial recognition technology
- Web-based management enabling fast batch deployment and regular upgrade and maintenance of Hikvision indoor stations
- Protective level: IP65

## Specification

System Parameters	
Operation Method	Display screen, physical buttons
Operation System	Embedded Linux operation system
Alarm parameters	
Tampering alarm	1
Network parameters	
Network protocol	TCP/IP, RTSP
Network interface	10/100/1000 Mbps self-adaptive Ethernet
Audio parameters	
Audio input	Built-in omnidirectional microphone
Audio output	Built-in loudspeaker
Audio compression standard	G.711 U
Audio compression rate	64 Kbps
Audio quality	Noise suppression and echo cancellation

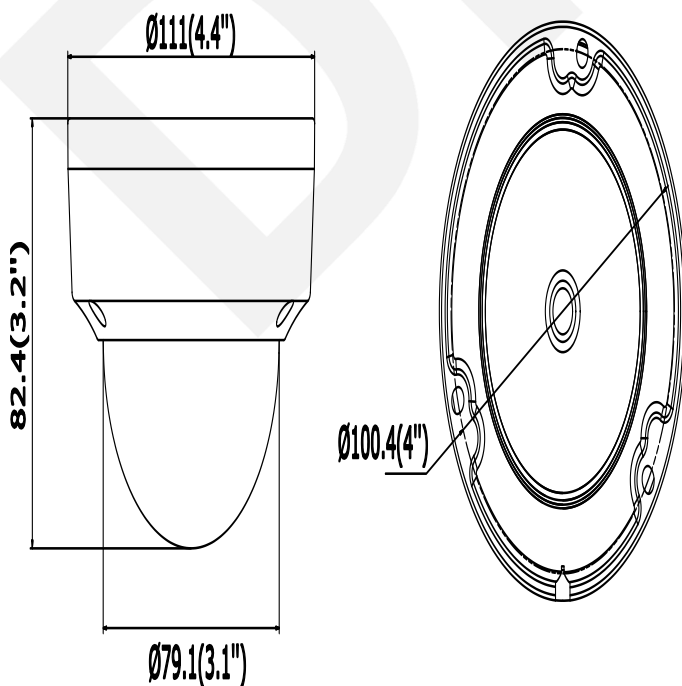
Audio intercom	Two-way audio
General	
Power supply	12 VDC
Power consumption	≤ 13 W
Working temperature	-30 ° C to +60 ° C (-22 ° F to +140 ° F)
Working humidity	10% to 90%
IP protection level	IP 65
Installation	Flush mounting
Video parameters	
Video frame rate	50 Hz, 60 Hz
Night Vision	Low illumination, IR supplement lights
Video compression Standard	H.264
Wide dynamic range	True WDR
Camera	2 × 2 MP HD camera
Stream	Main stream: 1080p@30fps, 720p@30fps Sub stream: VGA@25fps, VGA@30fps
Display Parameters	
Display Screen	4.3-inch colorful LCD
Display Resolution	800 × 480
Access control Parameters	
Card type	Mifare card, cpu card, ID card
Device interfaces	

I/O input	8
I/O output	2
RS-485	2
USB	1
Debugging port	1
Door control	2
<b>Performances</b>	
Fingerprints capacity	Max. 5000
Card capacity	Max. 50000
User capacity	Max. 10000
Face capacity	Max. 5000
Linked indoor station	Max. 500
Linked sub door station	Max. 8
Linked doorphone	Max. 8
Protocol	ISAPI, RTSP, STMP, SNMP
Unlock door	Unlock by presenting cards, unlock by face, unlock via Client Software
Face anti-spoofing	Support
Face recognition distance	2 m
Face recognition time	≤ 0.5 s
Fingerprint recognition time	≤ 1.5 s

**Available Model**

DS-KD9203-FE6(海外标配)(样机),  
DS-KD9203-FE6(海外中性)(样机),

**Dimension**



Distributed by

**HIKVISION®****Headquarters**

No.555 Qianmo Road, Binjiang District,  
Hangzhou 310051, China  
T +86-571-8807-5998  
overseasbusiness@hikvision.com

**Hikvision USA**

T +1-909-895-0400  
sales.usa@hikvision.com

**Hikvision Australia**

T +61-2-8599-4233  
salesau@hikvision.com

**Hikvision India**

T +91-22-28469900  
sales@pramahikvision.com

**Hikvision Canada**

T +1-866-200-6690  
sales.canada@hikvision.com

**Hikvision Thailand**

T +662-275-9949  
sales.thailand@hikvision.com

**Hikvision Europe**

T +31-23-5542770  
sales.eu@hikvision.com

**Hikvision Italy**

T +39-0438-6902  
info.it@hikvision.com

**Hikvision Brazil**

T +55 11 3318-0050  
Latam.support@hikvision.com

**Hikvision Turkey**

T +90 (216)521 7070- 7074  
sales.tr@hikvision.com

**Hikvision Malaysia**

T +601-7652-2413  
sales.my@hikvision.com

**Hikvision UK & Ireland**

T +01628-902140  
sales.uk@hikvision.com

**Hikvision South Africa**

Tel: +27 (10) 0351172  
sale.africa@hikvision.com

**Hikvision France**

T +33(0)1-85-330-450  
info.fr@hikvision.com

**Hikvision Kazakhstan**

T +7-727-9730667  
nikia.panfilov@hikvision.ru

**Hikvision Vietnam**

T +84-974270888  
sales.vt@hikvision.com

**Hikvision UAE**

T +971-4-4432090  
salesme@hikvision.com

**Hikvision Singapore**

T +65-6684-4718  
sg@hikvision.com

**Hikvision Spain**

T +34-91-737-16-55  
info.es@hikvision.com

**Hikvision Tashkent**

T +99-87-1238-9438  
uzb@hikvision.ru

**Hikvision Hong Kong**

T +852-2151-1761  
info.hk@hikvision.com

**Hikvision Russia**

T +7-495-669-67-99  
saleru@hikvision.com

**Hikvision Korea**

T +82-(0)31-731-8817  
sales.korea@hikvision.com

**Hikvision Poland**

T +48-22-460-01-50  
info.pl@hikvision.com

**Hikvision Indonesia**

T +62-21-2933759  
Sales.Indonesia@hikvision.com

**Hikvision Colombia**

sales.colombia@hikvision.com