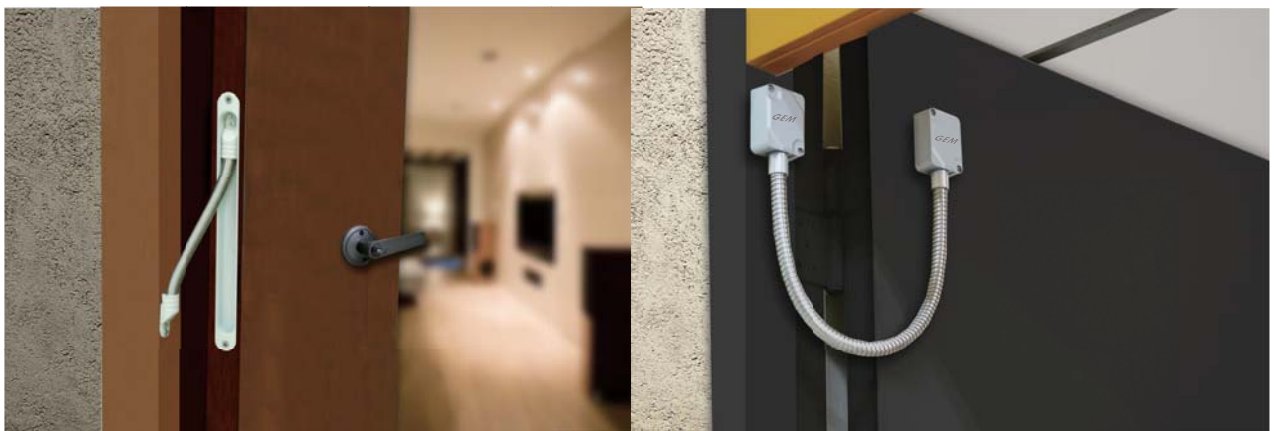


Power Transfer Door Loops

Patented, Durable and Tamper Resistant



The GEM family of DL series power transfer door loops offer a protective means of running wires from the frame to door installed with electrical devices, such as electrified locks. These power transfer door loops prevent foreign objects from damaging the wires and also produce aesthetically pleasing appearance. Surface and concealed mortise mount power transfer loops are provided.



Power Transfer Door Loops

Models	Descriptions	Length of Conduit/ Case Dimensions	Conduit Construction	Conduit Diameter	
				Inside	Outside
Surface Mounted Loops					
DL-200A-30 DL-200A-40 DL-200A-50	<ul style="list-style-type: none"> Armored flex conduit Aluminum end caps 	11 13/16" (300mm) 15 3/4" (400mm) 19 11/16" (500mm)	Stainless steel	1/4" (7mm)	7/16" (10.7mm)
DL-200P-30 DL-200P-40 DL-200P-50	<ul style="list-style-type: none"> Armored flex conduit Silver plastic end caps 	11 13/16" (300mm) 15 3/4" (400mm) 19 11/16" (500mm)	Stainless steel	1/4" (7mm)	7/16" (10.7mm)
Heavy Duty Surface Mounted Loops					
DL-330-40	<ul style="list-style-type: none"> Armored flex conduit Aluminum end caps 	15 3/4" (400mm)	Stainless steel	3/8" (9mm)	1/2" (12mm)
DL-350-40 DL-350-46 DL-350-50 DL-350-60 DL-350-71 DL-350-85	<ul style="list-style-type: none"> Armored flex conduit Aluminum end caps 	15 3/4" (400mm) 18 1/8" (460mm) 19 11/16" (500mm) 23 5/8" (600mm) 27 15/16" (710mm) 33 7/16" (850mm)	Stainless steel	5/16" (8mm)	1/2" (12mm)
DL-350SP-40 DL-350SP-60	<ul style="list-style-type: none"> Armored flex conduit Aluminum end caps 	15 3/4" (400mm) 23 5/8" (600mm)	Retractable spring steel	5/16" (8mm)	1/2" (12.5mm)
DL-370	<ul style="list-style-type: none"> Armored flex conduit Aluminum end boxes with removable cover Silver finish 	15 3/4" (400mm)	Stainless steel	5/16" (8mm)	1/2" (12.5mm)
DL-370-US40	<ul style="list-style-type: none"> Armored flex conduit Aluminum end boxes with removable cover US40 finish 	15 3/4" (400mm)	Stainless steel	5/16" (8mm)	1/2" (12.5mm)
Mortise Mounted Loops					
DL-400	<ul style="list-style-type: none"> Flex conduit Nickel-plated steel case 	11 7/16"L x 15/16"W x 5/8"D (290 L x 24.5 W x 16.3D mm)	Nickel-plated steel	3/8" (9mm)	9/16" (14.5mm)
DL-417ST	<ul style="list-style-type: none"> Flex conduit & case Metal frame Stainless steel case 	11 7/16"L x 15/16"W x 13/16"D (290 L x 24.5 W x 20D mm)	Stainless steel	3/8" (10mm)	9/16" (14.5mm)
DL-500	<ul style="list-style-type: none"> Flex conduit Wood frame Zinc alloy case in ivory finish 	11 1/2"L x 1"W x 11/16"D (292 L x 24.8 W x 18D mm)	Stainless steel	3/8" (9mm)	9/16" (14mm)
DL-500MP	<ul style="list-style-type: none"> Flex conduit Wood frame Zinc alloy case in matte chrome finish 	11 1/2"L x 1"W x 11/16"D (292 L x 24.8 W x 18D mm)	Stainless steel	3/8" (9mm)	9/16" (14mm)

* Standard length of conduit is 15 3/4" (400mm) long.
DL-200-P also has a 500 mm length of conduit in black/white finish.



DL-200A-30



DL-330-40



DL-350系列



DL-370
Patents: Taiwan - M510002



DL-370-US40
Patents: Taiwan - M510002



DL-400



DL-417ST

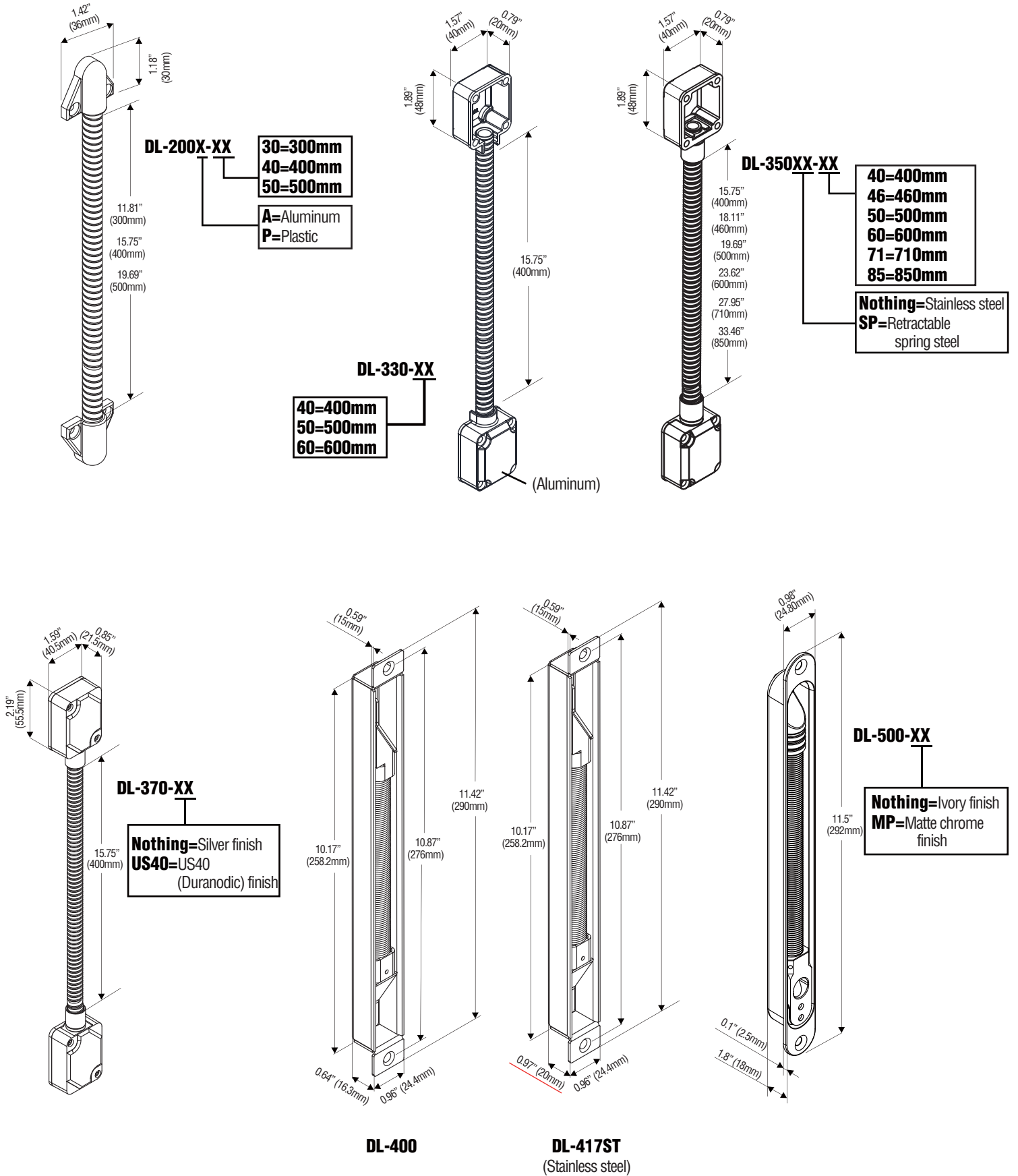
Patents: China - ZL 2012 2 0022520.9
Taiwan - M427434



DL-500

Power Transfer Door Loops

Dimensions



Warranty

The product is warranted against defects in material and workmanship while used in normal service for a period of 1 year from the date of sale to the original customer. The GEM policy is one of continual development and improvement; therefore GEM reserves the right to change specifications without notice.

Power Transfer Door Loops

Patented, Easy Installation with Terminal Boards



DL-360TB



DL-500-TB



DL-417ST-TB

The GEM family of TB series power transfer door loops utilize detachable terminal blocks for quick installation and simple maintenance. These power transfer door loops contain a PC board that connect to up to 8 wires (24 gauge) in each end. The detachable terminal blocks on the PC board allow easy connection and disconnection of wires and save installation time. Surface and mortise mount versions are available.

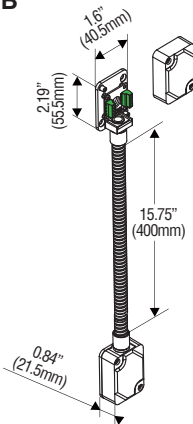


Power Transfer Door Loops with Terminal Boards

Models	Descriptions	Dimensions	Inside Conduit Diameter	Outside Conduit Diameter
Surface Mounted Loop with Terminal Boards				
DL-360TB	<ul style="list-style-type: none"> • 8-conductor@24 gauge • Stainless steel armored flex conduit • Aluminum end boxes with removable cover • Detachable terminal blocks • Silver or US40 finish 	Length of conduit 15 3/4" (400mm)	3/8" (9mm)	1/2" (12.5mm)
Mortise Mounted Loops with Terminal Boards				
DL-417ST-TB	<ul style="list-style-type: none"> • 8-conductor@24 gauge • Detachable terminal blocks • Stainless steel flex conduit & case • Metal frame 	12 5/8" L x 1" W x 2 1/6" D (320 L x 25W x 53D mm)	3/8" (10mm)	9/16" (14.5mm)
DL-500-TB	<ul style="list-style-type: none"> • 8-conductor@24 gauge • Detachable terminal blocks • Ivory zinc alloy case • Stainless steel flex conduit • Wood frame 	12 5/8" L x 15/16" W x 2 3/16" D (320 L x 24.5 W x 55 D mm)	3/8" (9mm)	9/16" (14mm)

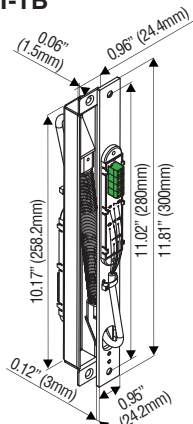
Dimensions

DL-360TB



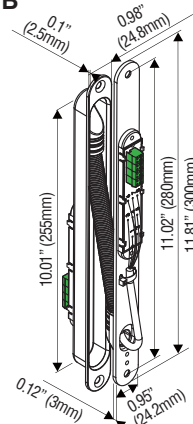
Patent: Taiwan - M510002

DL-417ST-TB



All dimensions in (mm)

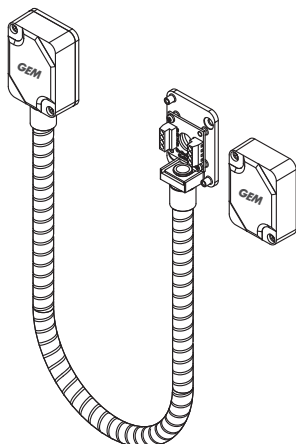
DL-500-TB



Patents: China - ZL 2012 2 0022520.9
Taiwan - M427434

DL-360TB with Terminal Boards

The DL-360TB with Terminal Boards is designed with convenient terminal block concept for safe, easy and quick installation. Simply attach the wires to the detachable terminal blocks and plug into each end of the conduit.



DL-360TB with Terminal Boards

Warranty

The product is warranted against defects in material and workmanship while used in normal service for a period of 1 year from the date of sale to the original customer. The GEM policy is one of continual development and improvement; therefore GEM reserves the right to change specifications without notice.