

DS-3E0524TF Switch

Introduction

The Hikvision DS-3E0524TF Series Unmanaged Switch is layer 2 network switches, providing 12 Gigabit Ethernet electrical ports and 12 Gigabit SFP fiber optical port. It is reliable, easy to install and maintain, and equipped with rapid switch function. It has multiple access ports, and is applicable for access or aggregation and upload of small-scale LAN devices. It applies to center area and can access to camera and NVR, in charge of small-scale core data exchange.



Features and Functions

- Gigabit network data-exchange
- 12 Gigabit Ethernet electrical ports and 12 Gigabit Ethernet SFP fiber optical port
- 10/100/1000M BaseT (X)(RJ45 ports)
- IEEE802.3, IEEE802.3u and IEEE802.3x network standards available
- Store-and-forward switch
- Delay of data-exchange less than 5us
- Wide temperature Range: -5 ~ 50 °C
- Solid metal chassis of high strength
- 19 Inches 1U standards rack installation

Applicable Models

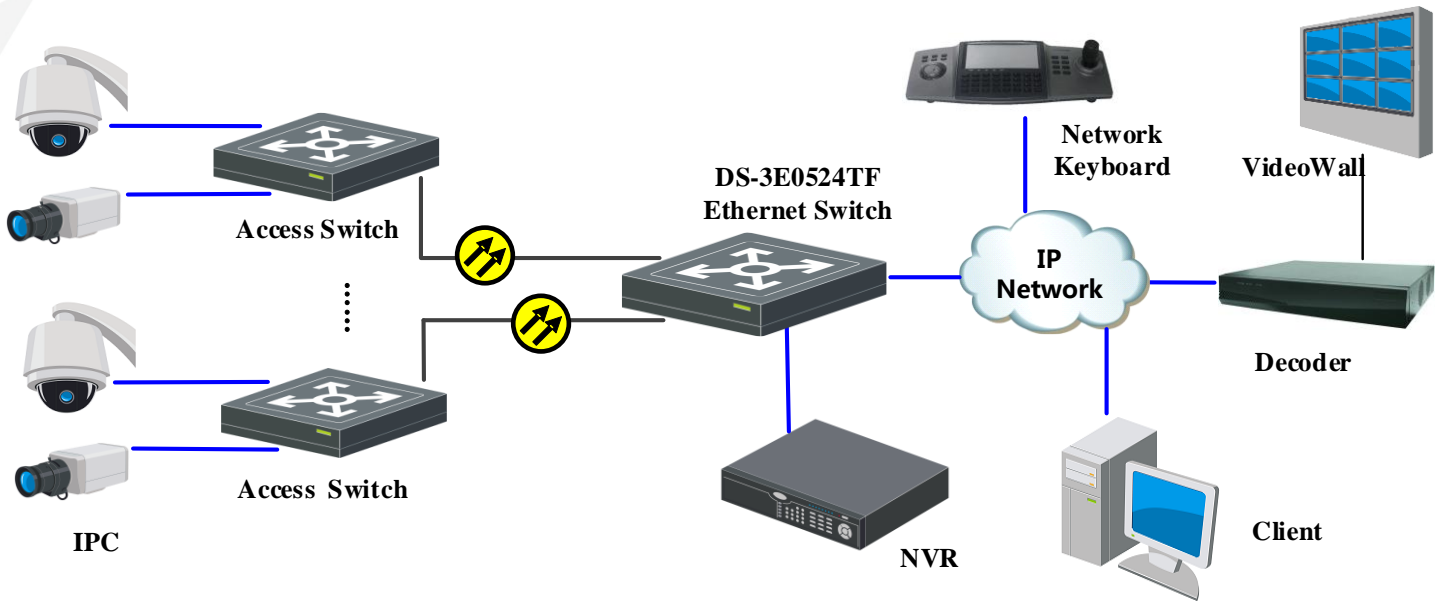
- DS-3E0524TF



Specifications

Model	DS-3E0524TF
Network parameters	
Port number	12 Gigabit Ethernet electrical ports and 12 Gigabit SFP fiber optical port
Port type	Electrical ports: RJ45, Full/half duplex, MDI/MDI-X self-adptive Fiber optical port: SFP packaging
Standard	IEEE802.3, IEEE802.3u, IEEE802.3ab, IEEE802.3x
Processing type	Store-and-forward switching
Priority queue	8
Mac address table	16 K
Switching bandwidth	48 Gbps
Packet forwarding rate	35.7 Mpps
Internal cache	12 Mbit
Mechanical structure	
Shell	Metal material
Weight	2.5 kg
Dimensions (L × H × D)	440 × 44.5 × 186.5 mm (17.3 × 1.8 × 7.3 inch)
Environment	
Operating temperature	-5 °C to +50 °C (+23 °F to +122 °F)
Storage temperature	-40 °C to +85 °C (-40 °F to +185 °F)
humidity	5% to 95% (no condensation)
Power supply	
Power supply	220 VAC
Consumption	≤ 30 W
Safety and reliability	
ElectroStatic Discharge (ESD)	Contact discharge: ±7 KV Air discharge: ±9 KV
Surge immunity(Surge)	Power port: line-ground ±2 KV, line-line 1 KV Network port: line-ground ±2 KV
Electrical fast transient(EFT)	Power port: ±2 KV Network port: ±1 KV

Typical Application



CENTRAL SECURITY DISTRIBUTION

An Anixter Company

1300 319 499
csd.com.au