

DS-K1T341A Series Face Recognition Terminal

DS-K1T341A series face recognition terminal adopts deep learning algorithm, which helps to recognize the face faster with higher accuracy. It also supports multiple authentication modes: face/card/fingerprint authentication, etc. It can be applied in multiple scenarios, such as buildings, enterprises, financial industries, and other important areas.



Available Model

- DS-K1T341AM
- DS-K1T341AMF

Features

- 4.3-inch touch screen
- 720p wide-angle dual-lens
- Face anti-spoofing
- Face recognition distance: 0.3 m to 1.5 m
- Deep learning algorithm
- 1500 face capacity, 1,500 card capacity, 1,500 fingerprint capacity (should be supported by device model) and 150,000 event capacity
- Face recognition duration < 0.2 s/User; face recognition accuracy rate ≥ 99%
- Capture linkage and captured pictures storage
- Transmits card and user data from or to the client software via TCP/IP protocol and saves the data on the client software
- Imports pictures from the USB flash drive to the device or export pictures, events, from the device to the USB flash drive
- Stand-alone operation
- Manage, search and set device data after logging in the device locally
- Connects to one external card reader via RS-485 protocol
- Connects to secure door control unit via RS-485 protocol to avoid the door opening when the terminal is destroyed
- Connects to external access controller or Wiegand card reader via Wiegand protocol



- Two-way audio with indoor station and master station
- Supports 6 attendance status, including check in, check out, break in, break out, overtime in, overtime out
- Configuration via the web client
- Remotely opens door and starts live view via Hik-Connect
- Supports ISAPI and EHome 5.0 protocols

* **Biometric recognition products are not 100% applicable to anti-spoofing environments. If you require a higher security level, use multiple authentication modes.**

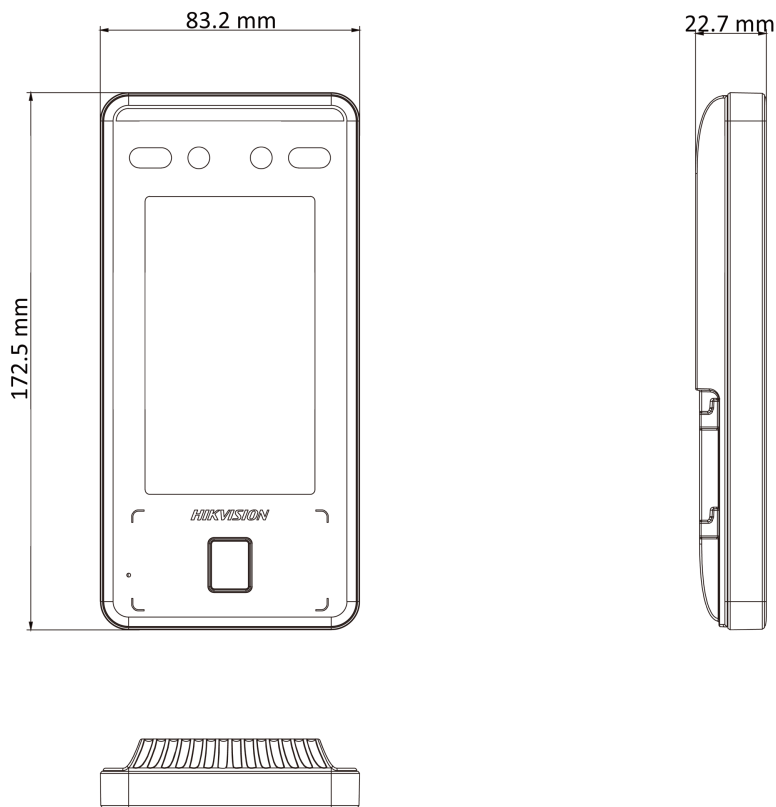
Specifications

Model		DS-K1T341AM	DS-K1T341AMF
System	Operation system	Linux	
Screen	Size	4.3-inch	
	Resolution	800 × 480	
	Operation method	Capacitive touch screen	
Camera	Resolution	720p	
	WDR	Support	
	Lens	× 2	
	Video standard	PAL (Default) and NTSC	
Audio	Audio input	Built-in omnidirectional microphone	
	Audio output	Built-in loudspeaker	
	Volume adjustment	Adjust via device or client	
Network	Wired network	10 M/100 M/1000 M self-adaptive	
	Communication protocol	EHome 5.0	
Interface	Network interface	× 1, RJ45	
	RS-485	× 1	
	Wiegand	Wiegand 26 and Wiegand 34	
	Lock output	× 1	
	Exit button	× 1	
	Door contact input	× 1	
	Power interface	× 1	
	TAMPER	× 1	
	USB	× 1, USB2.0	
Capacity	Card capacity	1500	
	Face capacity	1500	
	Fingerprint capacity	/	1500
	Event capacity	150,000	
Authentication	Card type	Mifare 1	
	Card reading distance	0 to 3 cm	
	Card reading duration	< 1 s	

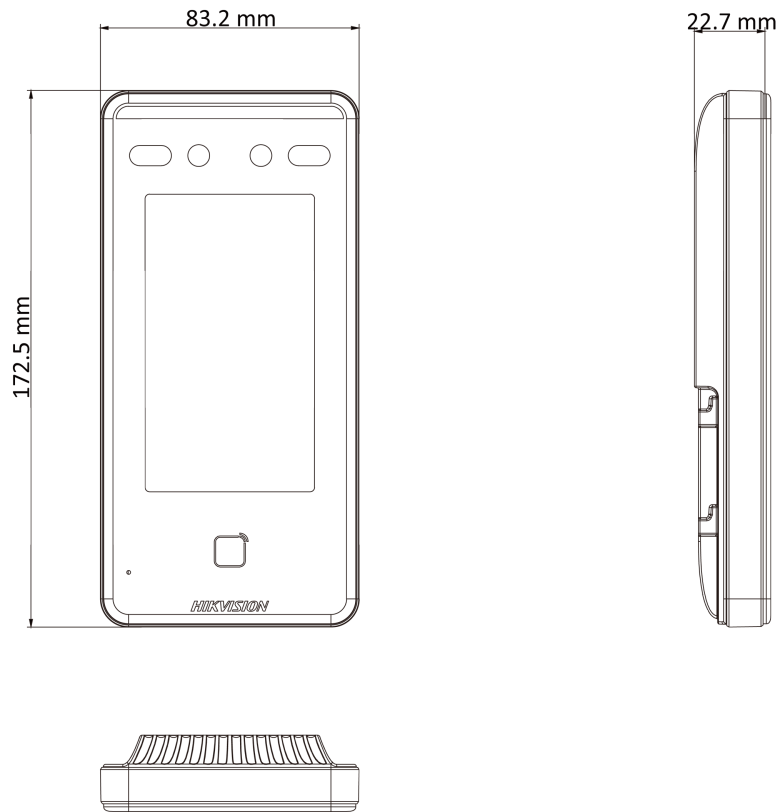
Model		DS-K1T341AM	DS-K1T341AMF
	Face recognition duration	< 0.2 s	
	Face recognition distance	0.3 to 1.5 m	
	Fingerprint Recognition duration	/	< 1 s
Function	Face anti-spoofing	Support	
	Live view	Supports live view on the platform, H.264	
	Face recognition	Supports face recognition in low illumination	
	Access control management	Supports multiple authentication methods	
Others	power supply	12 VDC, 2 A	
	Working temperature	-30 °C to 60 °C (-22 °F to 140 °F)	
	Working humidity	0 to 90% (No condensing)	
	Protective level	IP65	

* Exposing the equipment to direct sun light, low ventilation or heat source such as heater or radiator is forbidden (ignorance can cause fire danger).

Dimensions



Dimension with Fingerprint Module



Dimension without Fingerprint Module



CENTRAL SECURITY DISTRIBUTION

An Anixter Company

1300 319 499

csd.com.au