

DS-K1T331 Series Face Recognition Terminal

DS-K1T331 series face recognition terminal adopts deep learning algorithm, which helps to recognize the face faster with higher accuracy. It also supports multiple authentication modes: face authentication, etc. When installed on the turnstile, it can be applied in multiple scenarios, such as buildings, enterprises, financial industries, and other important areas.



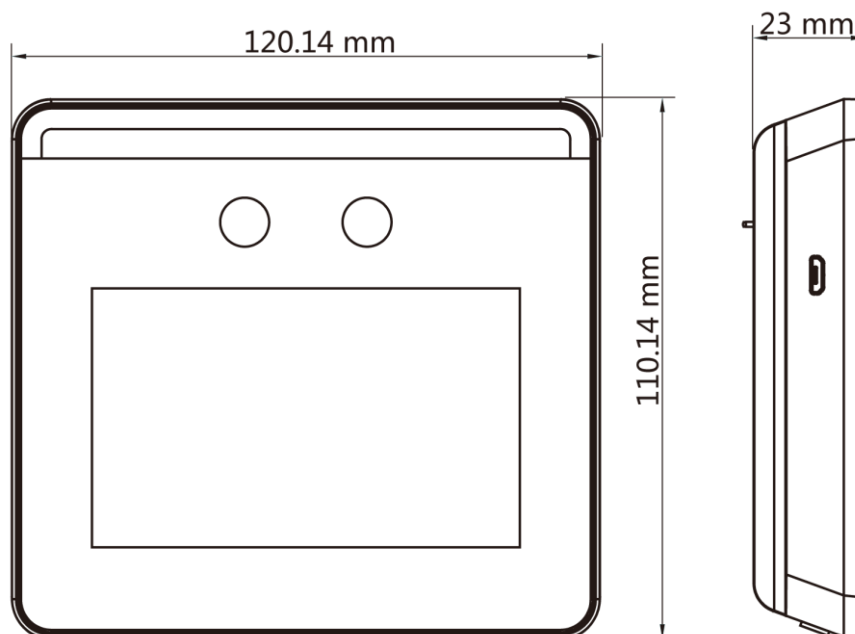
- 3.97-inch touch screen, 2 Mega pixel wide-angle lens
- 2 MP wide-angle dual-lens
- Face anti-spoofing
- Face recognition distance: 0.3 m to 1.5 m
- Deep learning algorithm
- 300 face capacity, 1,500 card capacity (when connecting external card reader); 150,000 event capacity, and up to 20,000
- Face recognition duration < 0.2 s/User; face recognition accuracy rate $\geq 99\%$
- Capture linkage and captured pictures storage
- Transmits card and user data from or to the client software via TCP/IP protocol and saves the data on the client software
- Imports pictures from the USB flash drive to the device or export pictures, events, from the device to the USB flash drive
- Stand-alone operation
- Manage, search and set device data after logging in the device locally
- Connects to one external card reader via RS-485 protocol
- Connects to secure door control unit via RS-485 protocol to avoid the door opening when the terminal is destroyed
- Supports 6 attendance status, including check in, check out, break in, break out, overtime in, overtime out
- Supports multiple languages: English, Spanish, Arabic, Thai, Indonesian, Russian, and Vietnamese
- Supports EHome 5.0 (ISUP 5.0), and ISAPI protocol
- Configuration via web browser



▪ Specification

System Parameters	
Operation System	Linux
Camera	2 MP dual-lens camera with wide dynamic range
Capacity	Card: 1500 (When connecting external card reader) Face: 300 Event: 150,000
1:N face recognition duration	< 0.2 s
LCD Screen	
LCD Screen	3.97-inch touch screen
General	
Face Recognition Distance	0.3 m to 1.5 m
Interface	USB × 1, electric lock × 1, door contact × 1, tamper × 1, exit button × 1, RS-485 × 1
Communication Mode	For DS-K1T331: TCP/IP (10/100 Mbps, self-adaptive) For DS-K1T331W: TCP/IP (10/100 Mbps, self-adaptive), Wi-Fi
Power supply	12 V, 1.5 A, 18 W
Working temperature	-10 °C to 50 °C (14 °F to 122 °F)
Working humidity	10 to 90% (no condensing)
Dimension	120 mm × 110 mm × 23 mm (4.7" × 4.3" × 0.9")
Application situation	Indoor use

▪ Dimension



▪ Available Model

DS-K1T331, DS0K1T331W



CENTRAL SECURITY DISTRIBUTION

An Anixter Company

1300 319 499

csd.com.au

VIC: Mulgrave, Tullamarine NSW: Seven Hills, Waterloo ACT: Fyshwick QLD: Loganholme SA: Dudley Park WA: Balcatta