

DS-KABD8003-RS1 Protective Shield

HIKVISION



Key Feature

- Adapts to one-module surface mounting with protective shield.

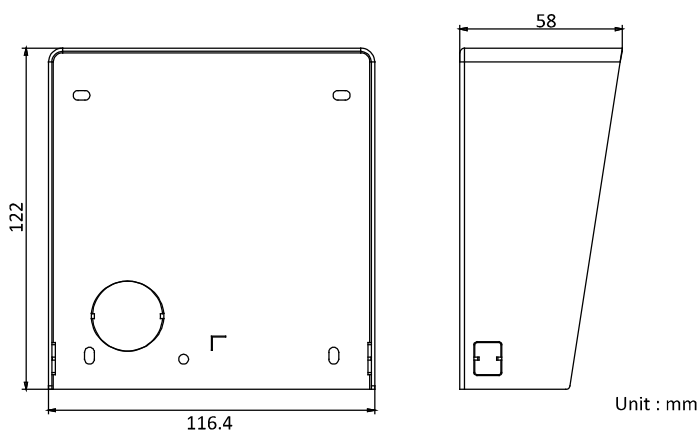
Specification

Parameters	
Material	SECC
Working temperature	-40° C to +60° C(-40° F to 140° F)
Working humidity	10% to 95%
Dimension	122 × 116.4 × 58 mm (4.80" × 4.58" × 2.28")
Weight	298.9 g

Available Model

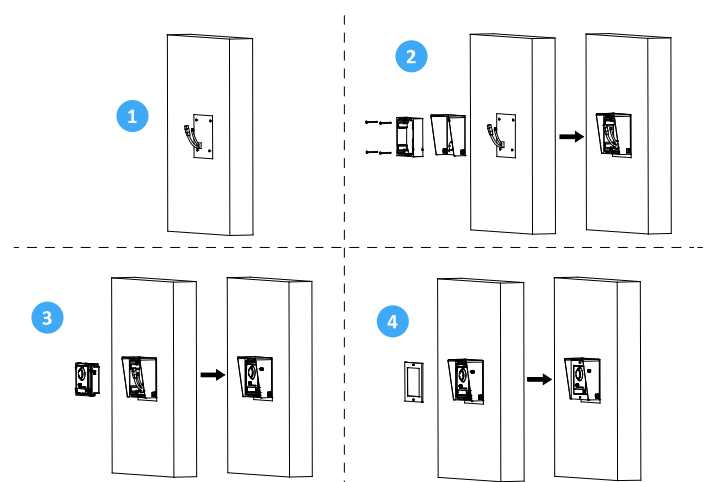
DS-KABD8003-RS1

Dimension



Installation

- Paste the installation Sticker 1 onto the wall. Make sure the sticker is placed leveled via measuring with the gradienter. Drill 4 holes align to the screw holes on the sticker. The suggested size of hole is 6 (diameter) × 25 (depth) mm.
- Remove the sticker and insert the expansion sleeves into the screw holes. Fix the mounting frame and protective shield onto the wall with 4 expansion bolts.
- Connect the cables to the corresponding interfaces of the main unit and insert it into the frame.
- Use the hexagon wrench in the package fix the cover onto the frame.





CENTRAL SECURITY DISTRIBUTION

An Anixter Company

1300 319 499

csd.com.au