

## Providing Effective Solutions for CCTV Security Systems

### Power Through Baluns (E10700A Compatible)



**BNC Male to RJ45 Jack with 2.1mm Power Plug**  
Part Number: E10184SJ

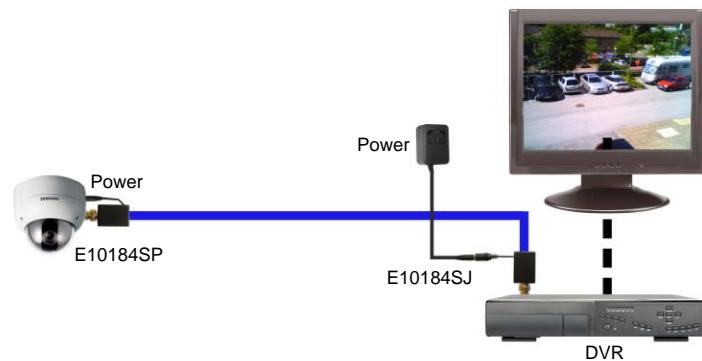
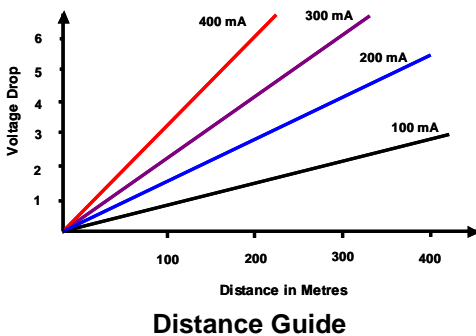
#### Features:

- BNC Male Power Through Video Balun.
- With 2.1 mm power jack.
- Feed AC or DC Power up Cat 5e Cable to Camera.
- Exceptional performance, High Reliability and Durability.
- Housed in a fire retardant wall mountable case.
- Uses 3 pairs of Cat 5e cable for power feed for maximum range.
- Passive device (no power supply required).
- Stable over working temperature between 0 °C to +55 °C.

#### Application:

In installations where power is not available at the camera end and Cat 5 cabling is used for backbone cabling, power can be fed to the camera using a combination of E10184SP/SJ Power Through Baluns to interconnect the camera using spare capacity on the Cat 5e cable with cost savings from 10% for cable runs of around 45 metres and more for longer cable runs.

The maximum distance between the camera and the hub depends on the power requirements of the camera. The figure to the left will serve as a guide in determining the approximate distance that can be achieved using these Power Through Video Baluns.



#### Specifications:

Bandwidth:	DC to 8 Mhz
Insertion Loss:	< 2 dB to 8 MHz
Impedance:	75 ohm BNC, 100 Ohm RJ45
Maximum Signal Voltage:	1.1 Vp-p
Cable Length:	100 m
Return Loss:	> 15 dB to 8 MHz
Common Mode Rejection:	> 40 dB @ 8 MHz
Pinout for RJ45 Jack:	Video 7(+) / 8 (-) Power 1, 3, 5 (+) / 2, 4, 6 (-)
RJ45 Contacts:	Gold 50 micro inch
Temperature Range:	0 to 55 °C operating, 95% Relative Humidity
Casing:	Black Fire Retardant Plastic ABS UL 94V-0
Compatible with:	E10174 / E10524 / E10700A / E10184SP or E10184S (Video only)

Note: Specifications subject to change without notice.