

## DS-KD-KP Keypad Module



### Key Feature

- Supports unlock the door via entering password
- Supports call the resident via entering room No.
- Backlight compensation
- Easy to and extend

### Available Model

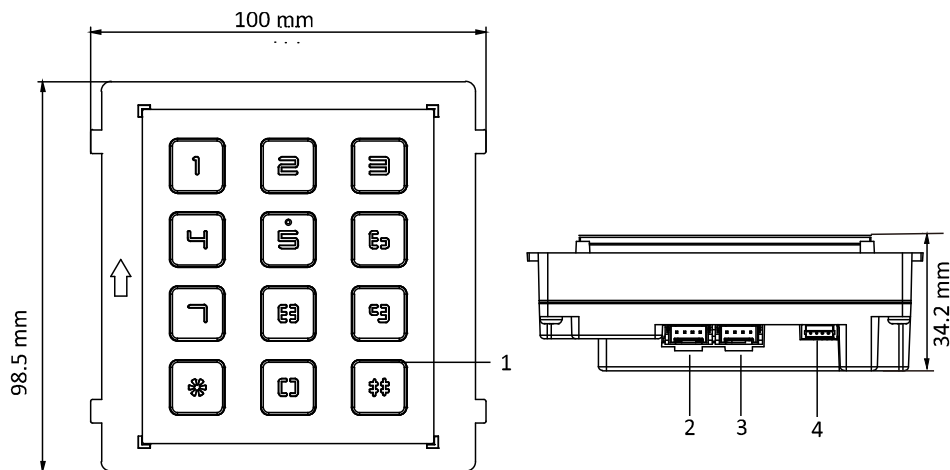
DS-KD-KP



## Specification

<b>Model</b>		<b>DS-KD-KP</b>
<b>System parameters</b>	<b>Processor</b>	Embedded MCU Processor
	<b>Operation method</b>	Physical Button
<b>Interfaces</b>	<b>Module-connecting</b>	2(1 Input, 1 Output)
	<b>Debug</b>	1
<b>General</b>	<b>Physical button</b>	12
	DIP Switch	8
	Power Input	12 VDC(Powered by the other module)
	Power Output	12 VDC(Powered for the other module)
	Power consumption	≤2 W
	<b>Working temperature</b>	-40° C to +60° C(-40° F to 140° F)
	<b>Working humidity</b>	10% to 95%
	<b>Protection level</b>	IP65, IK7
	<b>Installation</b>	Flush Mounting, Surface Mounting
	<b>Dimensions (L × W × H)</b>	98.5 mm × 100 mm × 34.2 mm (3.87" × 3.95" × 1.33")

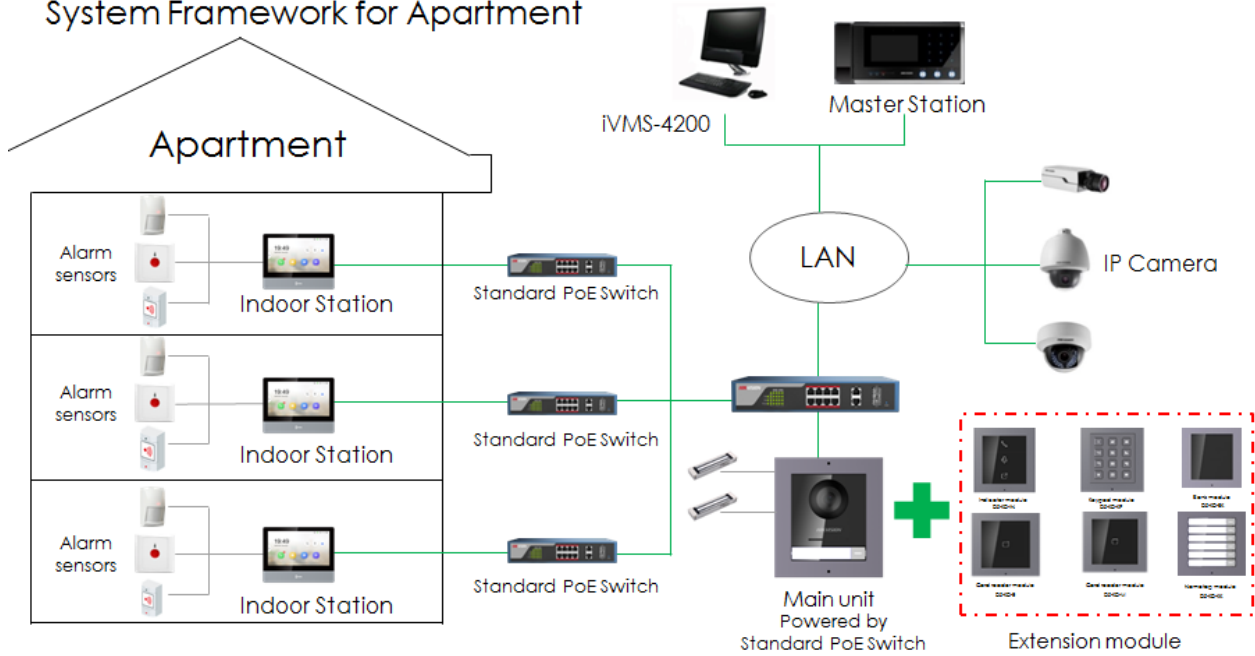
## Appearance and Interface



No.	Description
1	Button
2	Module-connecting Interface(output)
3	Module-connecting Interface(input)
4	Debug Port

## Typical Application

System Framework for Apartment



**CENTRAL SECURITY DISTRIBUTION**

An Anixter Company

**1300 319 499**

**csd.com.au**