

## DS-KD-IN Indicator Module



### Key Feature

- Indicates the device status: calling, opening door and two-way audio
- Backlight compensation
- Easy to and extend

### Available Model

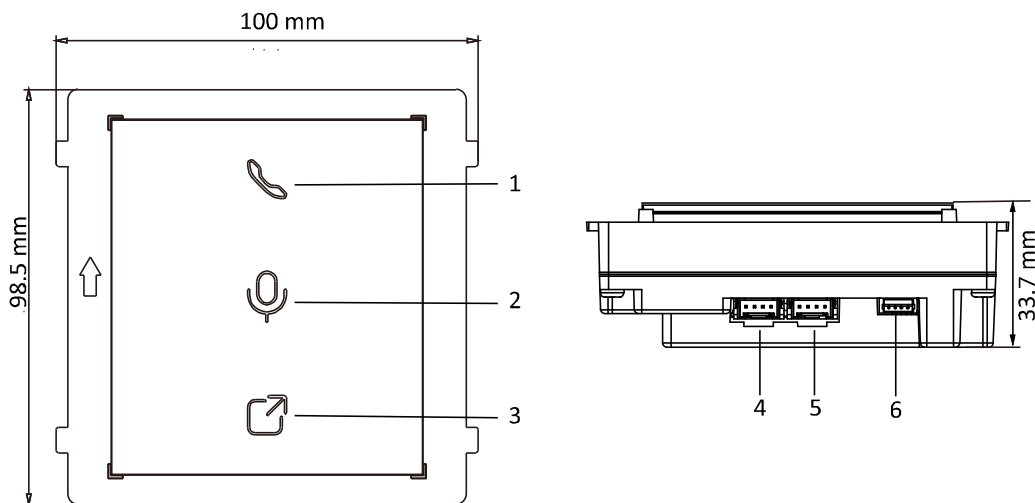
DS-KD-IN



## Specification

<b>Model</b>		<b>DS-KD-IN</b>
<b>System parameter</b>	<b>Processor</b>	Embedded MCU Processor
<b>Interfaces</b>	<b>Module-connecting</b>	2(1 Input, 1 Output)
	<b>Debug</b>	1
<b>General</b>	<b>DIP switch</b>	8
	<b>Power input</b>	12 VDC(Powered by the other module)
	<b>Power output</b>	12 VDC(Powered for the other module)
	<b>Power consumption</b>	≤2W
	<b>Working temperature</b>	-40° C to +60° C(-40° F to 140° F)
	<b>Working humidity</b>	10% to 95%
	<b>IP protection level</b>	IP65
	<b>Installation</b>	Flush Mounting, Surface Mounting
	<b>Dimensions (L × W × H)</b>	98.5 mm × 100 mm × 33.7 mm (3.87" × 3.95" × 1.33")

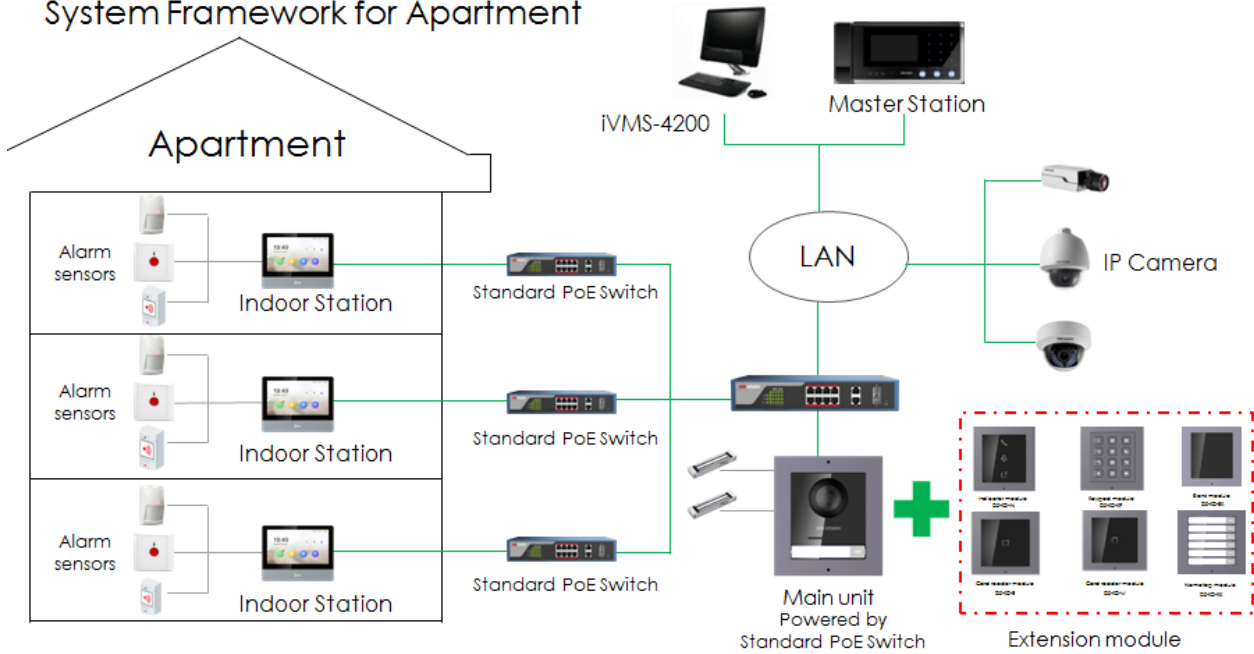
## Appearance and Interface



No.	Description
1	Calling Indicator
2	Two-way Audio Indicator
3	Unlock Indicator
4	Module-connecting Interface(output)
5	Module-connecting Interface(input)
6	Debug Port

## Typical Application

System Framework for Apartment



**CENTRAL SECURITY DISTRIBUTION**

An Anixter Company

1300 319 499

[csd.com.au](http://csd.com.au)