

# NDA-8000-PIPW Pendant interface plate, outdoor

www.boschsecurity.com



**BOSCH**

Invented for life



- ▶ Allows installation of your camera to a wall mount (NDA-U-WMT) or pendant pipe mount (NDA-U-PMT)
- ▶ Modular design for fast and easy installation
- ▶ One accessory line for multiple camera families from Bosch
- ▶ Weather resistant finish to maintain cosmetic appearance

This camera-specific accessory is designed for use with the new line of Bosch's universal accessories. The modular camera mounts & accessories are a family of mounts, mounting adapters, pendant interface plates and surveillance cabinets which can be used with a wide range of Bosch cameras. The accessories are easy to install and can be combined to simplify installation in multiple locations whilst retaining the same look and feel.

## Functions

The NDA-8000-PIPW is designed especially for outdoor use with FLEXIDOME IP 8000i.

It provides a safe, robust and watertight solution to mount your camera to:

- NDA-U-WMT Pendant wall mount
- NDA-U-PMT Pendant pipe mount

## Certifications and approvals

### Environmental

Salt mist	IEC60068-2-52
Impact	IK10
Anti UV	IEC60068-2-5

## Parts included

Quantity	Component
1	Pendant interface plate + Weather protector
4	M6 x 12 mm T25 screw
1	M4 x 16 mm T25 screw
1	Quick Installation Guide

**Technical specifications**

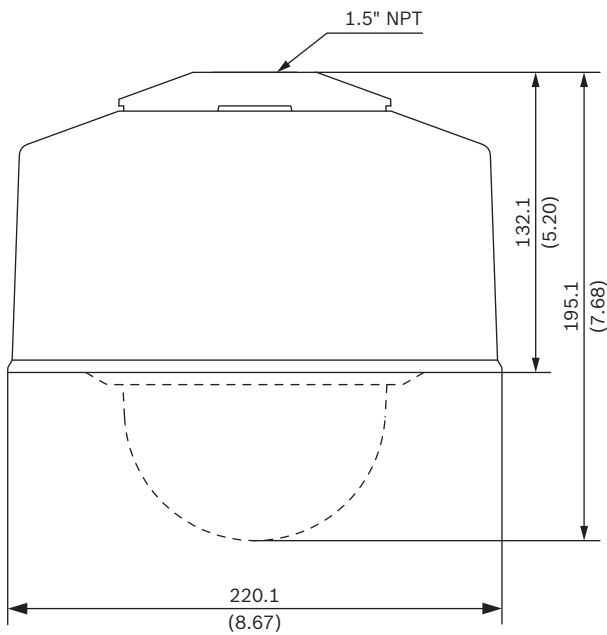
**Mechanical**

Dimensions	Φ 220.1 mm (8.67 in), H = 132.1 mm (5.20 in)
Weight	303 g (0.7 lb) (product) 572 g (1.3 lb) (combined with NDA-8000-PIP)
Standard Color	White (RAL 9003)
Construction Material, Pendant interface plate	Aluminum alloy
Construction Material, Weather protector	Polycarbonate

Dimensions in mm (inch)

**Ordering information**

**NDA-8000-PIPW Pendant interface plate, outdoor**  
Pendant interface plate including weather protector for FLEXIDOME IP 8000i, outdoor.  
Order number **NDA-8000-PIPW**



**Represented by:**

**Europe, Middle East, Africa:**  
Bosch Security Systems B.V.  
P.O. Box 80002  
5600 JB Eindhoven, The Netherlands  
Phone: + 31 40 2577 284  
emea.securitysystems@bosch.com  
emea.boschsecurity.com

**Germany:**  
Bosch Sicherheitssysteme GmbH  
Robert-Bosch-Ring 5  
85630 Grasbrunn  
Germany  
www.boschsecurity.com

**North America:**  
Bosch Security Systems, Inc.  
130 Perinton Parkway  
Fairport, New York, 14450, USA  
Phone: +1 800 289 0096  
Fax: +1 585 223 9180  
onlinehelp@us.bosch.com  
www.boschsecurity.us

**Asia-Pacific:**  
Robert Bosch (SEA) Pte Ltd, Security Systems  
11 Bishan Street 21  
Singapore 573943  
Phone: +65 6571 2808  
Fax: +65 6571 2699  
apr.securitysystems@bosch.com  
www.boschsecurity.asia