

DS-2XM6122FWD-I (M) 2.0MP Weather-Vandal-Proof Network Mobile Camera



Key Features

- Up to 2.0 megapixel high resolution
- 1920 × 1080 @30fps video
- Three video streams
- 4mm/6mm/8mm fixed lens
- 120dB Wide Dynamic Range
- 3D Digital Noise Reduction
- 3-axis adjustment
- Support on-board storage, up to 128 GB
- Build-in microphone
- DC12V & PoE (802.3af)
- Up to 10 m IR range
- IP66 weather-proof protection (inside vehicle use type)
- IK8 vandal proof protection
- M12 aviation plug (optional)



Specification

Camera	
Image Sensor	1/2.7" Progressive Scan CMOS
Min. Illumination	0.01Lux @ (F1.2, AGC ON), 0 Lux with IR
Shutter Speed	1/3 s to 1/100,000 s
Slow Shutter	Support
Lens	4 mm, horizontal field of view 90° [6 mm (53.9°), 8 mm (37.9°), optional]
Lens Mount	M12
Day & Night	IR cut filter
DNR	3D DNR
Wide Dynamic Range	120dB
3-Axis Adjustment	Pan: -30° to 30°, Tilt: 0° to 80°, Rotate: 0° to 360°
Compression Standard	
Video Compression	Main stream: H.265/H.264 Sub stream: H.265/H.264/MJPEG Third stream: H.265/H.264
H.264 Type	Baseline Profile/Main Profile/High Profile
H.264+	Main stream supports
H.265 Type	Main Profile
H.265+	Main stream supports
Video Bit Rate	256 Kbps to 16 Mbps
Audio Compression	G.711/G.722.1/G.726/MP2L2/PCM
Audio Bit Rate	64Kbps(G.711)/16Kbps(G.722.1)/16Kbps(G.726)/32-192Kbps(MP2L2)
Image	
Max. Resolution	1920 × 1080
Main Stream	50Hz: 25fps (1920 × 1080, 1280 × 960, 1280×720) 60Hz: 30fps (1920 × 1080, 1280 × 960, 1280×720)
Sub Stream	50Hz: 25fps (704 × 576, 640 × 480, 352 × 288, 320 × 240) 60Hz: 30fps (704 × 480, 640 × 480, 352 × 240, 320 × 240)
Third Stream	50Hz: 25fps (1920 × 1080, 1280 × 960, 1280 × 720, 704 × 576, 640 × 480, 352 × 288, 320 × 240) 60Hz: 30fps (1920 × 1080, 1280 × 960, 1280 × 720, 704 × 480, 640 × 480, 352 × 240, 320 × 240)
Image Enhancement	BLC/HLC/3D DNR/Defog/EIS
Image Settings	Support rotate mode. Brightness, contrast, saturation, and sharpness are adjustable via web browser and client software
ROI (Region of Interest)	Support 4 fixed region for each stream, or face dynamic tracking
Target Cropping	Support
Day/Night Switch	Day/Night/Auto/Scheduled
Picture Overlay	LOGO picture can be overlaid on video with 128 × 128, 24 bit bmp format
Audio	
Environment Noise Filtering	Support
Audio I/O	Support
Sampling Rate	Max. 48kHz
Network	
Network Storage	NAS (Support NFS, SMB/CIFS), Built-in Micro SD/SDHC/SDXC card slot, up to 128 GB

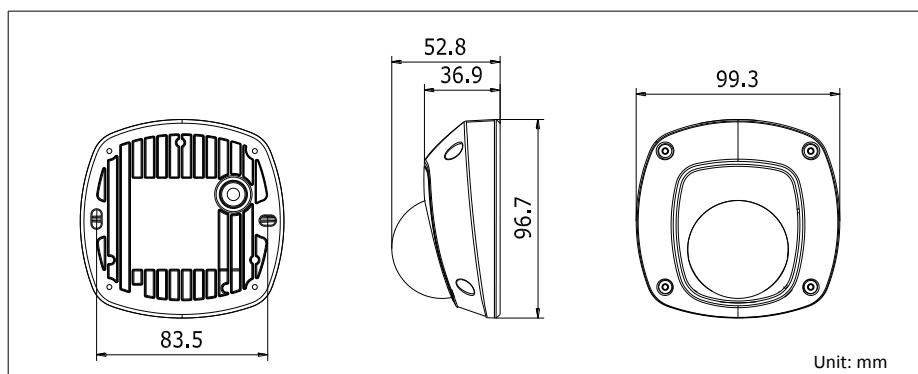
Alarm Trigger	Motion Detection, Tampering Alarm, Network Disconnected, IP Address Conflict, Illegal Login, HDD full, HDD error
Detection	Defocus Detection, Scene Change Detection, Face Detection, Intrusion Detection, Line Crossing Detection, Region Entrance Detection, Region Exiting Detection, Unattended Baggage Detection, Object Removal Detection
Protocols	TCP/IP, UDP, ICMP, HTTP, HTTPS, FTP, DHCP, DNS, DDNS, RTP, RTSP, RTCP, PPPoE, NTP, UPnP, SMTP, SNMP, IGMP, 802.1X, QoS, IPv6
Standard	ONVIF (PROFILE S, PROFILE G), PSIA, CGI, ISAPI
General Function	One-key Reset, Dual-VCA, Anti-Flicker, Three Streams, Heartbeat, Mirror, Password Protection, Privacy Mask, Watermark, IP Address Filter
Interface	
Communication Interface	-IM: M12 aviation plug -I: 1 RJ45 10M/100M Ethernet port
Audio	Build-in microphone, audio output(line out)
Audio Interface	1 build-in microphone, 1 audio out interface (line out)
General	
Operating Conditions	-30 °C to +60 °C (-22 °F to +140°F), Humidity 95% or less (non-condensing)
Power Supply	DC12V; PoE (802.3af)
Power Consumption	Max. 5W
IR Range	Up to 10 m
Protection Level	IP66, IK8
Dimensions	99.3 × 96.7 × 52.8 mm (3.9" × 3.8" × 2.1")
Weight	420 g (0.92lbs)

Order Models

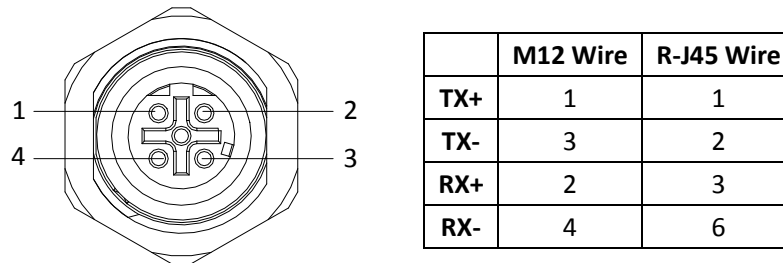
DS-2XM6122FWD-I: a RJ45 network interface and a power supply interface

DS-2XM6122FWD-IM: an M12 aviation plug

Dimension



Interface Description



M12 Interface Description



CENTRAL SECURITY DISTRIBUTION

An Anixter Company

1300 319 499

csd.com.au