

AUTO DOOR SENSOR

DA-303S



HIGH-DENSITY DETECTION PATTERN(32 ZONES/4 ROWS)
 INSTALLATION HEIGHT UP TO 3m
 SLIM DESIGN WITH 28.5mm THICK BODY

HIGH DENSITY DETECTION PATTERN

*High-density detection pattern with 4 rows in depth and 8 areas per line (32 zones in total) enables DA-303S to surely detect passengers.

*Each line can be turned off with dip switch, so DA-303S can meet many detection area at narrow and wide space.

*Body angle can be selected by 0° or 5°.

*Detection width can be also adjusted by dip switch.

PRESENCE TIMER SELECTABLE

Selectable for ∞ • 60sec. • 10sec. • 2sec.

With ∞ setting, 1st and 2nd rows are set to ∞ and 3rd and 4th rows to 2sec.

SLIM DESIGN WITH 28.5mm THICK BODY

In case using with electric shutter, slim body reduces the possibility that the shutter scrubs DA-303S.

ENVIRONMENTAL LEVEL ADJUSTMENT

Stable detection even in rain, snow, floor surface change or in the flying insects situation is kept by "snow mode".

Frequency setting

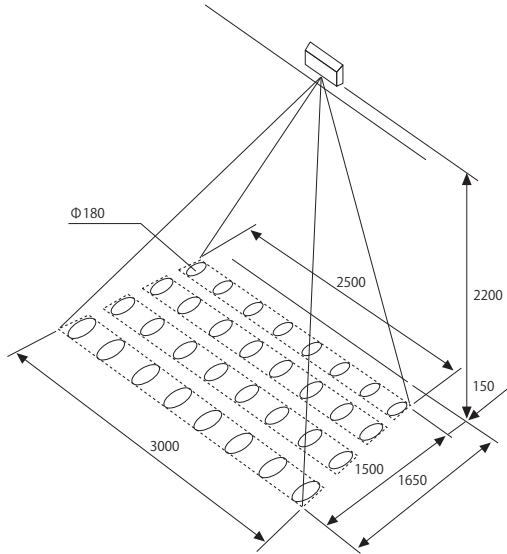
Four separate selectable frequencies enables 4 sensors to be installed in the small space without crosstalk.

2 WAY POWER SYSTEM

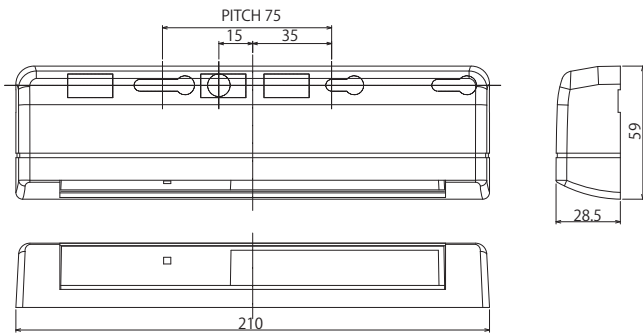
DA-303S is powered by AC100V or AC/DC12-24V.

Active Infrared Motion & Presence Sensor for Automatic Door

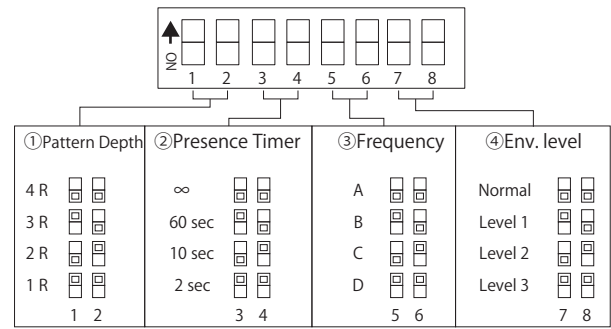
DETECTION AREA



EXTERNAL DIMENSIONS (Unit:mm)



DIP SWITCH SETTING



SPECIFICATIONS

Model	ACTIVE INFRARED MOTION & PRESENCE SENSOR
Model No.	DA-303
Power supply	DC12 ~ AC110V ± 10%
Power consumption	AC100V 2.4VA or less DC12V 80mA or less
Operation LED	(1) Power-on/Standby : Green (2) Detection : Red (3) Hunting door : Orange (4) Reset wait : Orange rapidly blinking
Contact output	Dry contact relay N.O. DC50V 0.1A(Resistive load)
Ambient temperature	-20°C ~ +60°C
Detection system	Active near infrared
Max. installation height	3.0m
Sensitivity adjustment	Available by volume switch
Depth area setting	(1) Body angle change Selectable 0°/5° (2) Dip switch setting 1/2/3/4 Rows adjustment
Width setting	Selectable Normal/Narrow
Frequency	4 channels selectable
Environmental level	Selectable Normal/Level 1/Level 2/Level 3 by Dip switch
Output holding time	Approx. 0.5sec.
Presence timer	Selectable 2 sec/10 sec/60 sec/∞ by Dip switch
Automatic reset	Approx. 6 sec. after Dip switch setting during pwoer-on
Installation site	Indoor, semi-outdoor : Transom
Weight	180g

* Specifications and design are subject to change without prior notice.

Limited Warranty :

TAKEX products are warranted to be free from defects in material and workmanship for 12 months from original date of shipment. Our warranty does not cover damage or failure caused by Acts of God (including inductive surge by lightning), abuse, misuse, abnormal usage, faulty installation, improper maintenance or any repairs other than those provided by TAKEX. All implied warranties with respect to TAKEX, including implied warranties for merchantability and implied warranties for fitness, are limited in duration to 12 months from original date of shipment. During the Warranty Period, TAKEX will repair or replace, at its sole option, free of charge, any defective parts returned prepaid. Please provide the model number of the products, original date of shipment and nature of difficulty being experienced. There will be charges rendered for product repairs made after our Warranty period has expired.



In Japan
Takenaka Engineering Co., Ltd.
83-1, Gojo-sotokan, Higashino,
Yamashina-ku, Kyoto 607-8156, Japan
Tel : 81-75-501-6651
Fax : 81-75-593-3816
<http://www.takex-eng.co.jp>

In the U.S.
Takex America Inc.
3350 Montgomery Drive, Santa
Clara, CA 95054, U.S.A.
Tel : 408-747-0100
Fax : 408-734-1100
<http://www.takex.com>

In Australia
Takex America Inc.
4/15 Howleys Road Notting Hill,
3168 Victoria, Australia
Tel : 03-9544-2477
Fax : 03-9543-2342

In the U.K.
Takex Europe Ltd.
Takex House, Aviary Court, Wade Road,
Basingstoke, Hampshire.RG24 8PE,U.K.
Tel : (+44) 01256-475555
Fax : (+44) 01256-466268
<http://www.takexeurope.com>