

XND-6081FZ/8081FZ

2MP/5MP Network Dome Camera

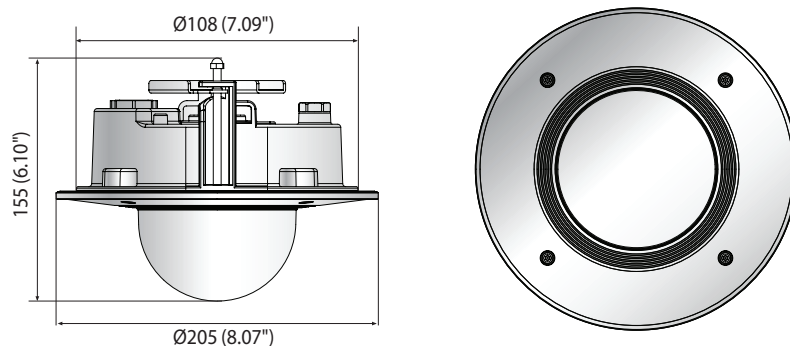


Key Features

- Max. 2Megapixel & 5Megapixel resolution
- 0.015Lux@F1.4 (Color), 0.0015Lux@F1.4 (B/W) (XND-6081FZ)
0.07Lux@F1.4 (Color), 0.007Lux@F1.4 (B/W) (XND-8081FZ)
- Day & Night (ICR), WDR (150dB / 120dB)
- Modular structure and motorized PTRZ
- Hallway View, WiseStreamII Support
- Video & audio analytics, Audio playback
- DIS and shock detection with built-in gyro sensor
- IP52/Plenum rate (UL2820), PoE, 12VDC

Dimensions

Unit : mm (inch)



	XND-6081FZ	XND-8081FZ
VIDEO		
Imaging Device	1/2.8" 2MP CMOS	1/1.8" 6MP CMOS
Effective Pixels	1945(H) x 1097(V)	2616(H) x 1976(V)
Min. Illumination	Color : 0.015Lux (F1.4, 1/30sec) BW : 0.0015Lux (F1.4, 1/30sec)	Color : 0.07Lux (F1.2, 1/30sec) BW : 0.007Lux (F1.2, 1/30sec)
Video Out	USB : Micro USB type B, 1280x720 for installation	
LENS		
Focal Length (Zoom Ratio)	2.8~12mm(4.3x) motorized varifocal	3.6~9.4mm(2.6x) motorized varifocal
Max. Aperture Ratio	F1.4(Wide) ~ F3.6(Tele)	F1.2(Wide) ~ F2.4(Tele)
Angular Field of View	H : 119.5°(Wide)~27.9°(Tele) V : 62.8°(Wide)~15.7°(Tele) D : 142.1°(Wide)~32.0°(Tele)	H : 102.5°(Wide)~38.7°(Tele) V : 74.2°(Wide)~29.0°(Tele) D : 135.5°(Wide)~48.6°(Tele)
Min. Object Distance	0.5m(1.64ft)	
Focus Control	Simple focus	
Lens Type	DC auto iris, P iris	
PAN / TILT / ROTATE		
Pan / Tilt / Rotate Range	Remote adjustment (Max. 200cycles) ±175° / 0~85° / ±175°	
OPERATIONAL		
Camera Title	Displayed up to 85 characters	
Day & Night	Auto(ICR)	
Backlight Compensation	BLC, HLC, WDR, SDR	
Wide Dynamic Range	150dB	120dB
Digital Noise Reduction	SSNR V	
Digital Image Stabilization	Support	
Defog	Support	
Motion Detection	8ea, 8point polygonal zones	
Privacy Masking	32ea, polygonal zones - Color : Grey / Green / Red / Blue / Black / White - Mosaic	
Gain Control	Low / Middle / High	
White Balance	ATW / AWC / Manual / Indoor / Outdoor	
LDC	Support	
Electronic Shutter Speed	Minimum / Maximum / Anti flicker (2~1/12,000sec)	
Digital PTZ	Support (Preset, Group)	
Video Rotation	Flip, Mirror, Hallway view (90°/270°)	
Analytics	Defocus detection, Directional detection, Fog detection, Face detection, Motion detection, Digital auto tracking, Appear/Disappear, Enter/Exit, Loitering, Tampering, Virtual line, Audio detection, Sound classification, Shock detection	
Business Intelligence	People counting, Queue management, Heatmap	
Alarm I / O	Input 1ea / Output 1ea	
Alarm Triggers	Analytics, Network disconnect, Alarm input	
Alarm Events	File upload via FTP and e-mail Notification via e-mail SD/SDHC/SDXC or NAS recording at event triggers Alarm output Handover Audio playback	
Audio In	Selectable (mic in/line in), Supply voltage : 2.5VDC (4mA), Input impedance : 2K Ohm	
Audio Out	Line out, Max.output level : 1Vrms	
NETWORK		
Ethernet	RJ-45 (10/100BASE-T)	
Video Compression	H.265/H.264 : Main / Baseline / High, MJPEG	

	XND-6081FZ	XND-8081FZ
Resolution	1920 x 1080, 1280 x 1024, 1280 x 960, 1280 x 720, 1024 x 768, 800 x 600, 800 x 448, 720 x 576, 720 x 480, 640 x 480, 640 x 360, 320 x 240	2560 x 1920, 2560 x 1440, 1920 x 1080, 1600 x 1200, 1280 x 1024, 1280 x 960, 1280 x 720, 1024 x 768, 800 x 600, 800 x 448, 720 x 576, 720 x 480, 640 x 480, 640 x 360, 320 x 240
Max. Framerate	H.265/H.264 : Max. 60fps/50fps (60Hz/50Hz) MJPEG : Max. 30fps/25fps (60Hz/50Hz)	H.265/H.264 : Max. 30fps/25fps (60Hz/50Hz) MJPEG : Max. 30fps/25fps (60Hz/50Hz)
Smart Codec	Manual (Sea area), WiseStream II	
Video Quality Adjustment	H.264/H.265 : Target bitrate level control MJPEG : Target bitrate level control	
Bitrate Control	H.264/H.265 : CBR or VBR MJPEG : VBR	
Streaming	Unicast (20 users) / Multicast Multiple streaming (Up to 10 profiles)	
Audio Compression	G.711 u-law / G.726 Selectable G.726 (ADPCM) 8KHz, G.711 8KHz G.726 : 16Kbps, 24Kbps, 32Kbps, 40Kbps AAC-LC : 48Kbps at 16KHz	
Protocol	IPv4, IPv6, TCP/IP, UDP/IP, RTP(UDP), RTP(TCP), RTCP,RTSP, NTP, HTTP, HTTPS, SSL/TLS, DHCP, FTP, SMTP, ICMP, IGMP, SNMPv1/v2c/v3(MIB-2), ARP, DNS, DDNS, QoS, PIM-SM, UPnP, Bonjour, LLDP	
Security	HTTPS (SSL) login authentication Digest login authentication IP address filtering User access log 802.1X authentication (EAP-TLS, EAP-LEAP)	
Edge Storage	Micro SD/SDHC/SDXC 2slot 512GB	
Application Programming Interface	ONVIF Profile S/G SUNAPI (HTTP API) Wisenet open platform	
Webpage Language	English, Korean, Chinese, French, Italian, Spanish, German, Japanese, Russian, Swedish, Portuguese, Czech, Polish, Turkish, Dutch, Hungarian, Greek	
Web Viewer	Supported OS : Windows 7, 8.1, 10, Mac OS X 10.10, 10.11, 10.12 Recommended Browser : Google Chrome Supported Browser: MS Explorer11, MS Edge, Mozilla Firefox (Windows 64bit only), Apple Safari (Mac OS X only)	
Memory	1024MB RAM, 256MB Flash	
ENVIRONMENTAL		
Operating Temperature / Humidity	-25°C ~ +60°C (-13°F ~ +140°F) / Less than 90% RH	
Storage Temperature / Humidity	-50°C ~ +60°C (-58°F ~ +140°F) / Less than 90% RH	
Certification	IP52 / Plenum rate (UL2820)	
ELECTRICAL		
Input Voltage	PoE (IEEE802.3af, Class3), 12VDC	
Power Consumption	PoE : Max. 10W, typical 4.8W 12VDC : Max. 8.5W, typical 3.71W	PoE : Max 11W, typical 5.4W 12VDC : Max 9W, typical 3.75W
MECHANICAL		
Color / Material	White / Aluminum	
RAL Code	RAL9003	
Product dimensions / weight	Ø205x155mm (Ø8.07x6.10") / 1.85kg (4.08lb)	

* The latest product information / specification can be found at hanwha-security.com

* Design and specifications are subject to change without notice.

* Wisenet is the proprietary brand of **Hanwha Techwin**.