



S1000

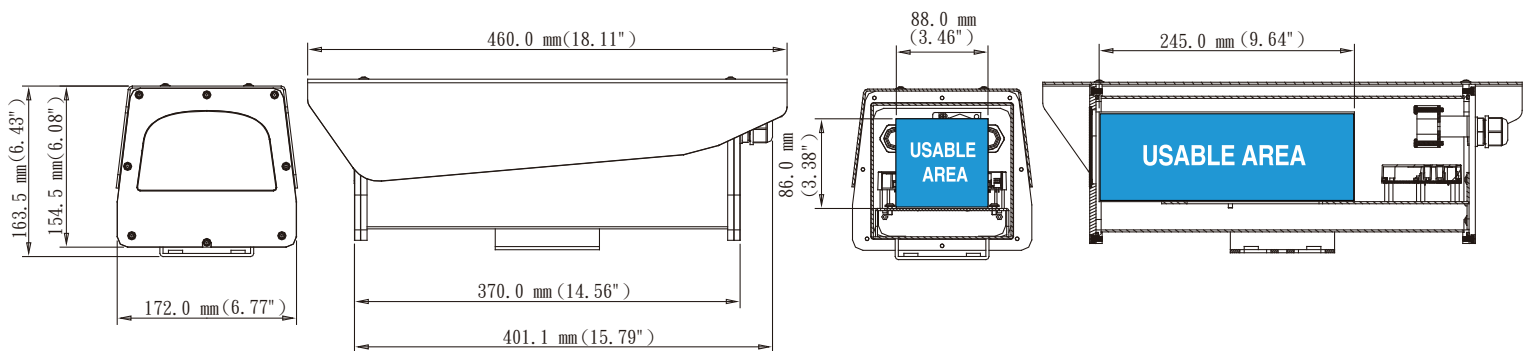
AISI 316L Stainless Steel 24VAC Camera Housing

AETEK's S1000 camera housing constructed by AISI 316L stainless steel is designed to protect IP & analog box/brick camera in highly corrosive & severe environments such as offshore, chemical, petrochemical, and tunnel areas. Besides built-in window heater & blower to preventing from ice & mist on window. S1000 is compliant to IP68, and IK10 standards & powered by 24VAC input and provides 12VDC & 24VAC output inside housing. Furthermore, the inner capacious spaces suits camera equipped with wide angle & long distance lens

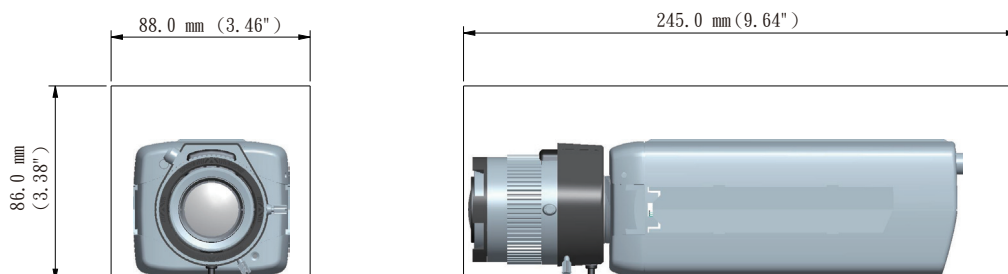
Features

- AISI 316L stainless steel construction
- Fits corrosive & severe environments
- IP68 weather rating standards
- IK10 impact rated on stainless steel outer shell
- Window heater & blower included
- Supports wide-angle & long-distance remote focus lens
- Adjustable AISI 316L sunshield

Dimensions



Maximum Camera Length



Specifications

Power Specifications

Power Input	24VAC
Power Output	12VDC, 24VAC
Unit Power Consumption	Blower: 2W Window Heater: 5W

Physical Specifications

Window	Glass w/ heater
Body Material	AISI 316L stainless steel
Body Weight	7.5 kg
Cable Grants	PG16 x 2

Environmental Specifications

Operating Temperature	-20°C ~ 65°C (-4°F ~ 149°F)
Heater ON / OFF	<30°C (86°F) ON >30°C (86°F) OFF
Blower ON / OFF	>30°C (86°F) ON <30°C (86°F) OFF
Weather Rating	IP68
Vandal Proof	IK10 Impact Rated on AISI 316L Stainless Steel Housing

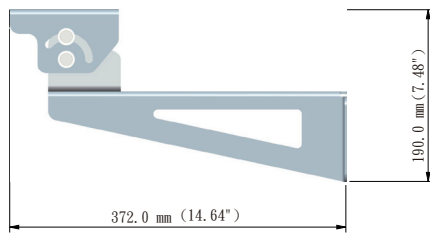
Certifications

EMC	CE, FCC, C-Tick
-----	-----------------

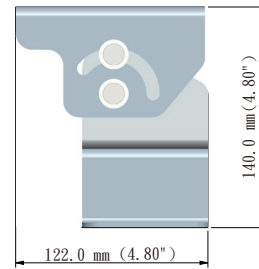
LEDs

PWR	System power status
-----	---------------------

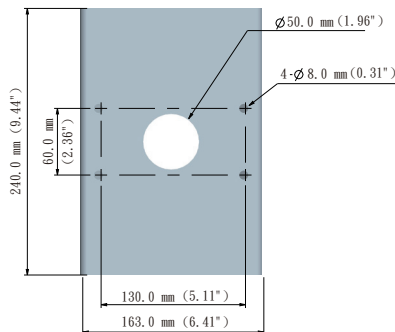
Accessories



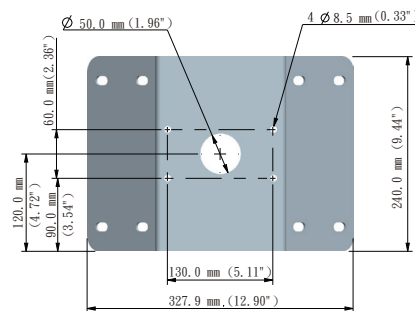
BK-103
AISI 316L Stainless steel
Wall Mount Bracket



BK-301
AISI 316L Stainless steel
Cardan Joint Mount Bracket



AT-102
AISI 316L Stainless steel
Pole Mount Adapter

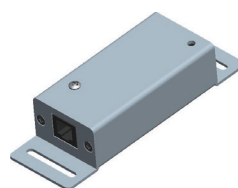


AT-201
AISI 316L Stainless steel
Corner Mount Adapter

Related Product



PB-024-3AC
AISI 316L Stainless Steel
Outdoor 24VAC Power Box



SD-101
1 Port GbE
PoE Surge Protector