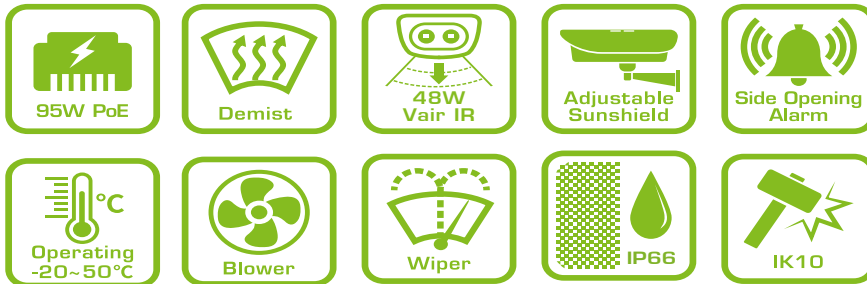


P6900-IW

UPoE ANPR Camera Housing



Video Clip Link

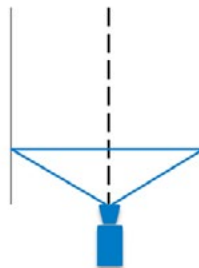
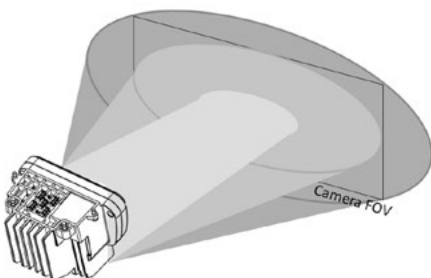
A safety city depending on ANPR implementation is becoming increasingly important. AETEK provides a series of all-in-one capacious ANPR camera housing fitting most of today's box/fixed cameras even equipped with 8-80mm varifocal lens. The camera housing is constructed from aluminum die casting to meet IP66/IK10 standards. These professional models are equipped with heater, blower, wiper, and built-in snapped in 48W IR LEDs specially using VAIR-IR technology to cover 2-lane ANPR detection. Besides elegant mechanical design, IR illuminator is snapped in camera housing directly to conceal RS-485 & power cables.

The ANPR camera housing has models supported by PoE individually. P6900-IW is a PoE model supported by 95W PSE over one Ethernet cable.

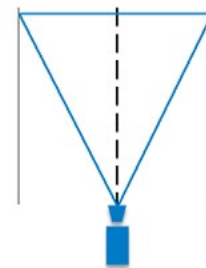
Features

VAIR LEDDs Technology

VAIR technology is an optical technology to adjust illuminator beam angle by remote control thru RS485 Pelco-D command or manual dip switch to suit diversified camera FOV.



Wide angle for short distance

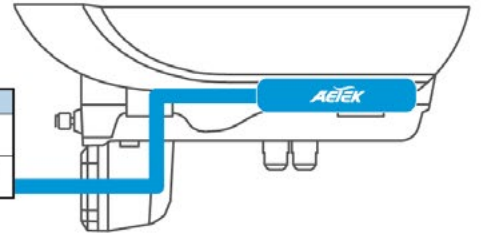


Tele angle for long distance

48W VAIR Illuminator 2-Lane ANPR



VAIR	48W			
No. of Leds	18P/Dual			
Beam angle	10°	20°	25°	30°



All-in-One Easy Installation

PoE ANPR Camera Housing

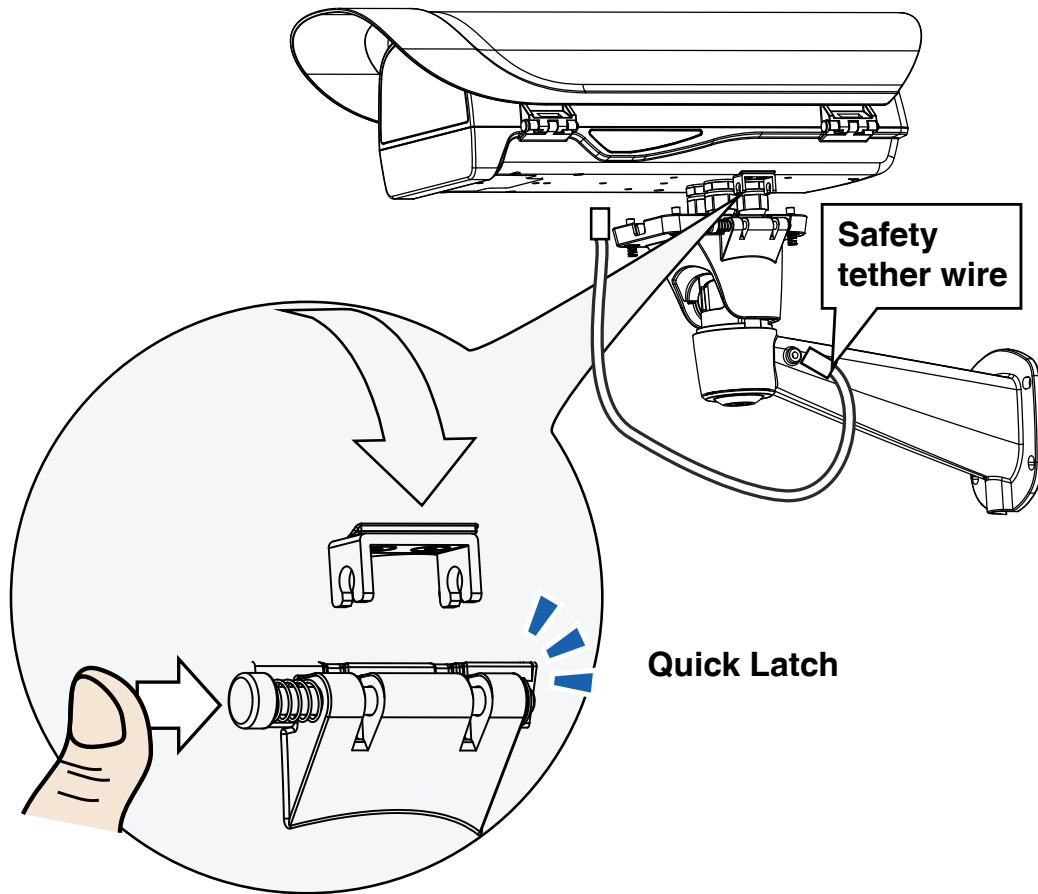


95W PoE Injector

Ethernet Cable

100~240VAC Power Wire

Safety installation

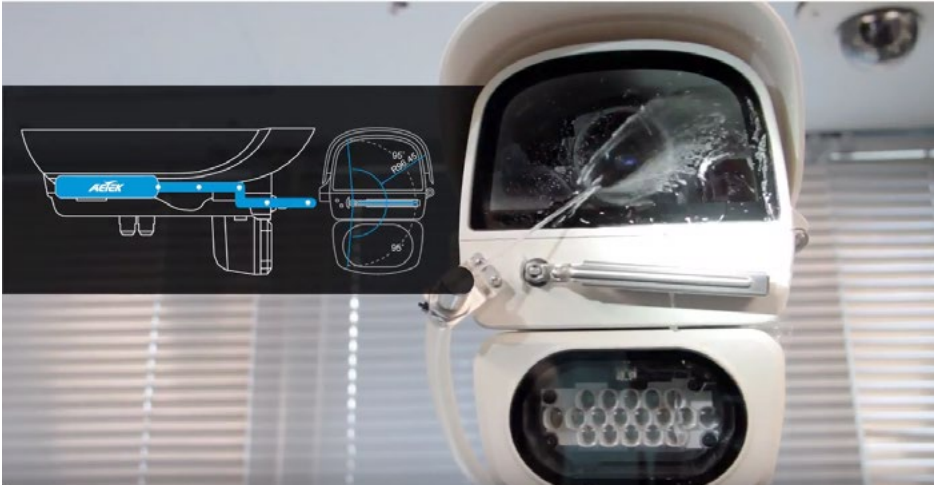


Capacious dimensions



AXIS Q1635 equipped with 8-80mm varifocal lens

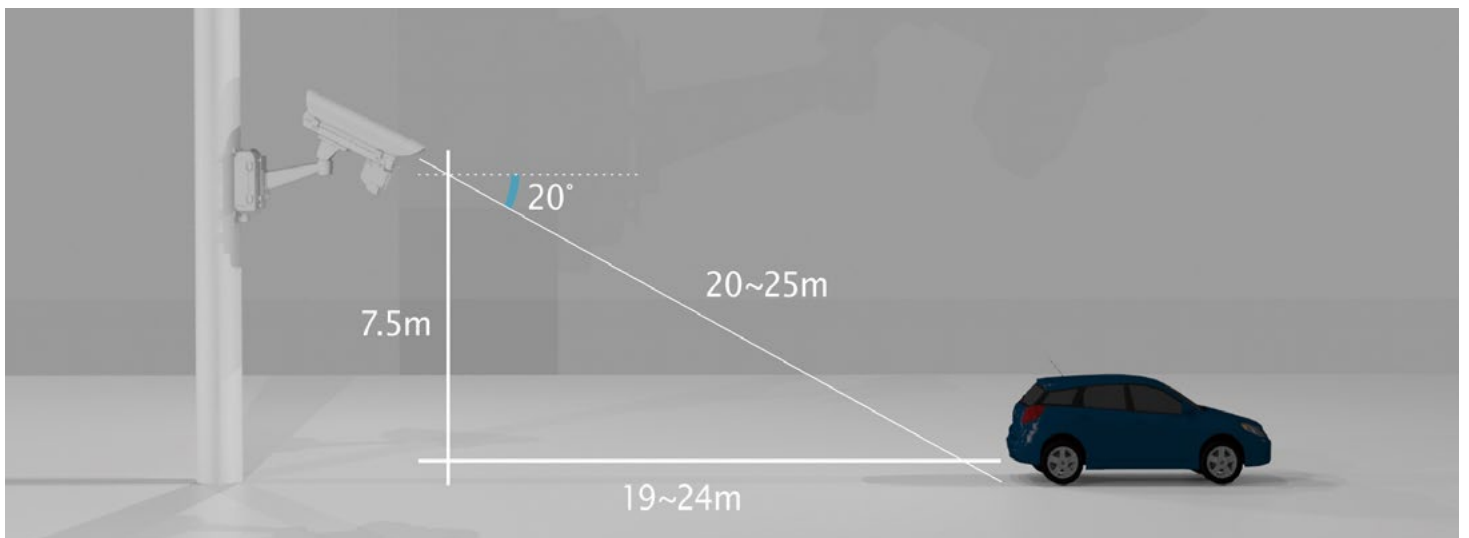
Wiper



Water Tank



Applications



Matrix Table

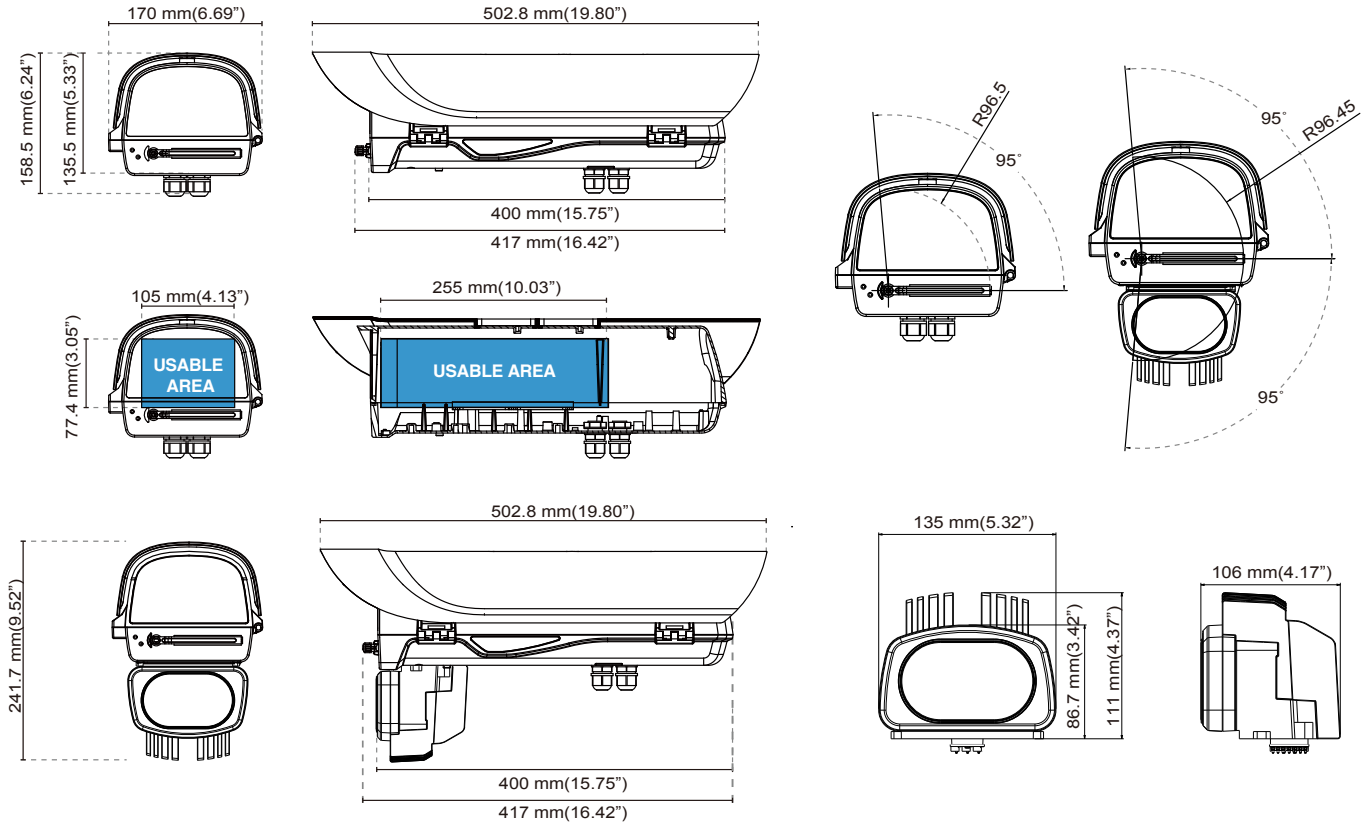
	100~240VAC in	Window Heater	Cold Start Heater (at -40°C)	Adjustable Sunshield	Blower	48W VAIR LED	Side-Opening Alarm	Wiper	IP66
P6900-IW	v	v	-	v	v	v	v	v	v

Specifications

	P6900-IW
Electrical Specifications	
Input Voltage	100~240VAC
Max Output Power Budget	72W
Camera Power Input	PoE
Power Consumption	Window Heater: 10W Blower: 2W Camera: 6 ~ 8W Wiper: 6 W 48W VAIR LED: 48W
VAIR Control	RS485 or DIP Switch
VAIR Beam Angle (Horizontal)	10° ~ 30°
VAIR LED Array	18 pcs High Power LED
VAIR Wavelength	850nm
VAIR Digital Input	VAIR ON/OFF control
VAIR Digital Output	Light Sensor
Light Sensor Sensitivity	100 Lux (accessed via RS-485 control)
Wiper Control	Digital Input
Power Box / PoE Injector	I49-101:95W PoE Injector/Junction Box
Optional 10L Water Tank & Pump	TP-100: 12 W
Mechanical Specifications	
Body Construction	Cast Aluminum
Body & Sunshield Weight	5.1 kg (11.24 lb)
Cable Grants	PF 3/4"x2 + M25x1
Environmental Specifications	
Operating Temperature*	Working: -20°C ~ 50°C (-4°F ~ 122°F)
Window Heater ON / OFF	≤ 20°C (68°F) ON ≥ 30°C (86°F) OFF
Cold Start Heater ON/OFF	-
Blower ON / OFF	≥ 35°C (95°F) ON ≤ 25°C (77°F) OFF
Weather Rating	IP66
Vandal Proof	IK10 Impact Rated on Cast Aluminum Housing
Certifications	
EMC	CE, FCC




* Inside camera specification must be within housing's operating temperature.

Dimensions



Accessories

Mount Brackets

Pole Mount		Corner Mount
		
AT-100 Pole Mount Adapter	AT-101 Pole Mount Adapter	AT-200 Corner Mount Adapter

Water Tank & Pump

Water Tank & Pump	
	TP-100 ● 10L Water Tank & Pump