

QNO-6070R

2M Network IR Bullet Camera

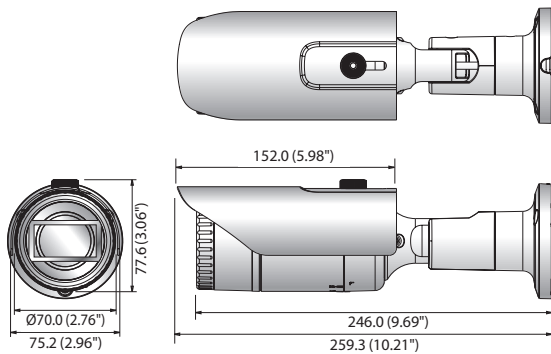


Key Features

- Max. 2megapixel (1920 x 1080) resolution
- 2.8 ~ 12mm (4.3x) varifocal lens
- Max. 30fps@2M all resolutions (H.265/H.264)
- H.265, H.264, MJPEG codec supported, Multiple streaming
- Motion detection, Tampering, Defocus detection
- micro SD/SDHC/SDXC memory slot (Max. 128GB), PoE / 12V DC
- IR viewable length 30m, IP66, IK10
- Hallway view support
- LDC support (Lens distortion correction)

Dimensions

Unit : mm (inch)



Accessories (Optional)



SBO-100B1



SBP-302RPM

QNO-6070RN/P

| | |
|-----------------------------------|--|
| VIDEO | |
| Imaging Device | 1/2.9" 2.19M CMOS |
| Total Pixels | 2,000(H) x 1,121(V) |
| Effective Pixels | 1,984(H) x 1,105(V) |
| Scanning System | Progressive |
| Min. Illumination | Color : 0.095Lux (30IRE), B/W : 0Lux (IR LED on) |
| S / N Ratio | 50dB |
| LENS | |
| Focal Length (Zoom Ratio) | 2.8 ~ 12mm (4.3x) manual |
| Max. Aperture Ratio | F1.4 |
| Angular Field of View | H : 103.8° ~ 32.4° / V : 53.7° ~ 18.4° / D : 121.9° ~ 37.1° |
| Focus Control | Manual |
| Lens Type | DC auto iris |
| Mount Type | Board type |
| OPERATIONAL | |
| IR Viewable Length | 30m (98.43ft) |
| Camera Title | Off / On (Displayed up to 20 characters per line) - W/W : English / Numeric / Special characters - China : English / Numeric / Special / Chinese characters - Common : Multi-line (Max. 5), Color (Grey / Green / Red / Blue / Black / White), Transparency, Auto scale by resolution |
| Day & Night | True Day & Night |
| Backlight Compensation | Off / BLC / WDR |
| Wide Dynamic Range | 120dB |
| Digital Noise Reduction | SSNR (Off / On) |
| Motion Detection | Off / On (4ea polygonal zones) |
| Privacy Masking | Off / On (6ea rectangular zones) |
| Gain Control | Off / Low / Middle / High |
| White Balance | ATW / AWC / Manual / Indoor / Outdoor |
| LDC (Lens distortion correction) | Off / On (5 levels with min / max) |
| Electronic Shutter Speed | Minimum / Maximum / Anti flicker |
| Flip / Mirror | Flip / Mirror / Hallway view |
| Intelligent Video Analytics | Motion detection with metadata, Tampering, Defocus detection |
| Alarm I/O | Input 1 / Output 1 |
| Alarm Triggers | Motion detection, Tampering detection, SD card error, NAS error, Alarm input, Defocus detection |
| Alarm Events | File upload via FTP and E-mail, Local storage recording at event, Notification via E-mail, External output |
| Pixel Counter | Support (Plug-in viewer only) |
| NETWORK | |
| Ethernet | RJ-45 (10/100BASE-T) |
| Video Compression Format | H.265, H.264, MJPEG |
| Resolution | 1920 x 1080, 1280 x 1024, 1280 x 960, 1280 x 720, 1024 x 768, 800 x 600, 720 x 576, 720 x 480, 640 x 480, 320 x 240 |
| Max. Framerate | H.265/H.264 : Max. 30fps at 2M all resolutions, MJPEG : 15fps |
| Smart Codec | WiseStream |
| Video Quality Adjustment | H.265/H.264 : Target bitrate level control, MJPEG : Quality level control |
| Bitrate Control Method | H.265/H.264 : CBR or VBR, MJPEG : VBR |
| Streaming Capability | Multiple streaming (Up to 3 profiles) |
| Audio In | Selectable (microphone/Line-in), Supported voltage: 2.5VDC (4mA), Input impedance: 2K Ohm |
| Audio Compression Format | G.711 u-law / G.726 selectable G.726 (ADPCM) 8KHz, G.711 8KHz, G.726 : 16Kbps, 24Kbps, 32Kbps, 40Kbps |
| Audio Communication | Uni-directional audio |
| IP | IPv4, IPv6 |
| Protocol | TCP/IP, UDP/IP, RTP(UDP), RTP(TCP), RTCP, RTSP, NTP, HTTP, HTTPS, SSL/TLS, DHCP, PPPoE, FTP, SMTP, ICMP, IGMP, SNMPv1/v2c/v3(MIB-2), ARP, DNS, DDNS, QoS, PIM-SM, UPnP, Bonjour |
| Security | HTTPS(SSL) login authentication, Digest login authentication IP address filtering, User access log, 802.1x authentication |
| Streaming Method | Unicast / Multicast |
| Max. User Access | 6 users at unicast mode |
| Storage | micro SD/SDHC/SDXC (Max. 128GB), NAS - Motion images recorded in the SD memory card can be downloaded - Manual recording at local PC |
| Application Programming Interface | ONVIF Profile S/G, SUNAPI (HTTP API) |
| Webpage Language | English, Korean, Chinese, French, Italian, Spanish, German, Japanese, Russian, Swedish, Portuguese, Czech, Polish, Turkish, Dutch, Hungary, Greek |
| Web Viewer | Supported OS : Windows 7, 8.1, 10, Mac OS X 10.9, 10.10, 10.11 Plug-in free Webviewer - Supported Browser : Google Chrome 47, MS Edge 20 Plug-in Webviewer - Supported Browser : MS Explore 11, Mozilla Firefox 43, Apple Safari 9 * Mac OS X only |
| Central Management Software | SmartViewer |
| ENVIRONMENTAL | |
| Operating Temperature / Humidity | -30°C ~ +55°C (-22°F ~ +131°F) / Less than 90% RH * Start up should be done at above -20°C (-4°F) |
| Storage Temperature / Humidity | -30°C ~ +60°C (-22°F ~ +140°F) / Less than 90% RH |
| Ingress Protection | IP66 |
| Vandal Resistance | IK10 |
| ELECTRICAL | |
| Input Voltage / Current | PoE (IEEE802.3af, Class3) / 12V DC |
| Power Consumption | Max. 8W (PoE), Max. 7W (12V DC) |
| MECHANICAL | |
| Color / Material | Dark gray / Metal |
| Dimensions (WxH) | $\varnothing 70.0$ x 246.0mm ($\varnothing 2.76$ " x 9.69") (Without sunshield) |
| Weight | 730g (1.61 lb) |

* The latest product information / specification can be found at hanwha-security.com

* Design and specifications are subject to change without notice.

* Wisenet is the proprietary brand of Hanwha Techwin, formerly known as Samsung Techwin.