

2012/24AUSI

Photoelectric Smoke Alarm with Integral Temp-3 Sounder

The 2012/24AUSI is designed to provide early warning of developing fires for occupants of residential and commercial buildings. The 2012/24AUSI is a photoelectric smoke alarm that is designed for open area protection.

Its compact design makes it attractive to look at and easy to install. The 2012/24AUSI photoelectric smoke-alarms are designed to respond to a broad range of fires while providing maximum stability.

The low-voltage wiring make them ideal for applications such as apartment buildings and nursing homes. Designed for use as open area protection up to 24 units may be interconnected.

These multi-voltage, 4 wire smoke alarms can be connected to many third-party devices such as security alarm systems and access control systems. The 2012/24AUSI is supplied complete with mounting ring and 9VDC back-up battery.



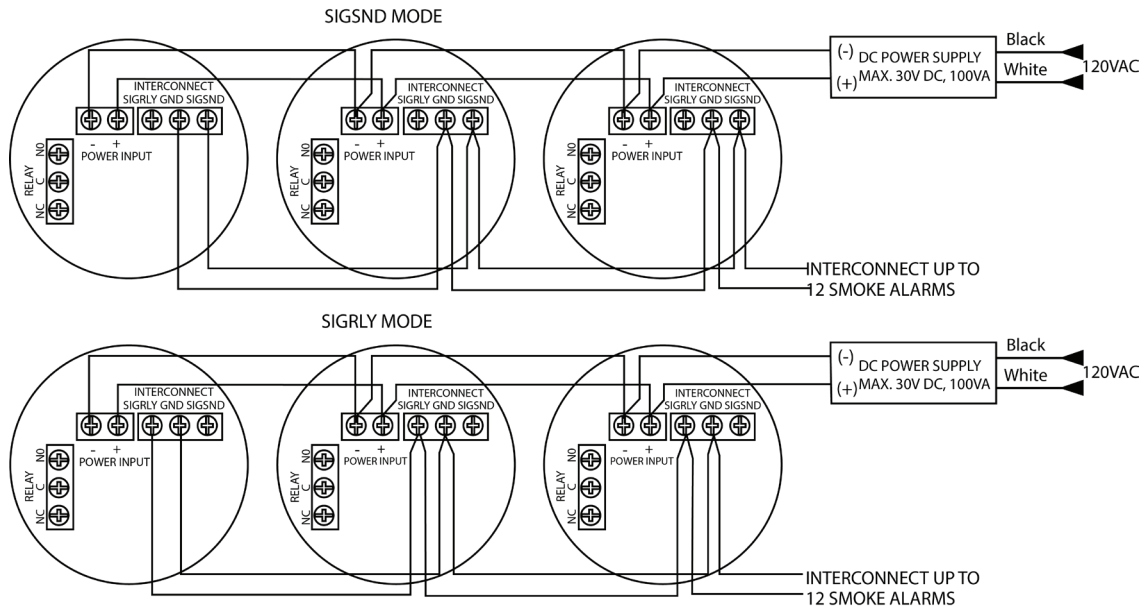
FEATURES & BENEFITS

- Low profile design in ceiling white housing
- CSIRO certified and listed to AS3786:2014
- 85dB(A) at 3 meters
- 9-24 volt DC operation
- On-board 9 volt back-up battery
- NO/NC change-over alarm relay contacts
- 8 second alarm verification feature
- Audible emergency evacuation signal (ISO 8201)
- Custom dual-mode alarm relay, interconnect feature
- Automatic diagnostic test feature
- Custom 'easy-clean' chamber
- 'HUSH' / Test Push Button feature
- Interconnect up to 24 smoke alarms
- Temporal Horn Pattern
- Green and Red Bi-color LED Indication
- Visual and Audible indication of low battery and other fault conditions

SPECIFICATIONS

ELECTRICAL SPECIFICATIONS	
SUPPLY VOLTAGE RANGE	10 VDC to 30 VDC
MAXIMUM STANDBY CURRENT	60 μ A maximum average
MAXIMUM ALARM CURRENT	65 mA maximum average @10-30VDC
P-HORN SOUND OUTPUT LEVEL	85 dBA @ 3m
RELAY CONTACT RATING	1 Form C, 1A @ 30 V(DC or AC)
BACK-UP BATTERY	9 VDC carbon zinc battery
MECHANICAL SPECIFICATIONS	
SIZE	55mm (H) \times 135mm (diameter)
WEIGHT	220 grams
ENVIRONMENTAL SPECIFICATIONS	
OPERATING TEMPERATURE RANGE	0°C to 50°C
RELATIVE HUMIDITY	5% to 93% R.H.

WIRING DIAGRAM



Maximum power bus length in meter, given number of units (maximum per bus) and wire size(mm). Supply Voltage = 12VDC

WIRE SIZE	1 UNIT	2 UNIT	3 UNIT	4 UNIT	5 UNIT	6 UNIT	7 UNIT	8 UNIT	9 UNIT	10 UNIT	11 UNIT	12 UNIT
1.5mm	3302	1652	1101	826	660	551	471	413	366	331	301	275
1mm	1633	817	544	408	327	273	233	205	182	163	149	135
0.75mm	819	411	273	205	163	138	117	103	91	82	75	68

WIRE SIZE	13 UNIT	14 UNIT	15 UNIT	16 UNIT	17 UNIT	18 UNIT	19 UNIT	20 UNIT	21 UNIT	22 UNIT	23 UNIT	24 UNIT
1.5mm	254	236	220	206	194	183	174	165	157	150	144	138
1mm	126	117	109	102	96	91	86	82	78	74	71	68
0.75mm	63	59	55	51	48	46	43	41	39	37	36	34

For 24VDC supply voltage, the maximum power bus length is 4 times as long as 12VDC supply voltage. Maximum interconnect bus length: 2000 meters, 0.75mm or larger cable. All wiring must conform to local electrical codes.

PRODUCT LINE INFORMATION

Agency Listings and Approvals

These listings and approvals apply to the modules specified in this document. In some cases, certain modules or applications may not be listed by certain approval agencies, or listing may be in process. Consult system consultant for latest listing status.

CSIRO Activfire listed to AS3786:2014 (27August2015)

ORDERING

ORDERING	
2012/24AUSI	Photoelectric Smoke Alarm, 12V/24V with 9V batt AS 3786 2014 A1

For more information, please contact:

www.honeywell.com

Honeywell Limited

Honeywell Limited
 9 Columbia Way, Baulkham Hills
 NSW 2153, Australia
 Tel: Australia - 1800 220 345 (Toll Free)
 Tel: New Zealand - 800 220 345 (Toll Free)
 www.honeywell.com

Honeywell reserves the right, without notification, to make changes in product design or specifications.

2012/24AUSI Photoelectric Smoke Alarm | Rev 01 | 09/2018