

# AUTODOME Series Mounts and Accessories

www.boschsecurity.com



**BOSCH**  
Invented for life



- ▶ 24 VAC, 120 VAC, and 230 VAC power supply boxes
- ▶ Pendant Wall, Corner, Mast, Roof, and Pipe mounts
- ▶ In-ceiling support kits for suspended ceilings and for IP54 certification
- ▶ Analog and IP Fiber Optic Communication Units
- ▶ Rugged polycarbonate, IK10-rated nylon, and high-resolution acrylic replacement bubbles

The AUTODOME Series cameras represent the latest advancements in video surveillance technology. The cameras ship fully assembled in a pendant or an in-ceiling housing.

Bosch offers a host of mounts, power supply boxes, and accessories so you can tailor your installation for a variety of applications and environments. These items are sold separately so you purchase only the items you need, which saves money and simplifies purchases.

## System overview

### Mounting Options and Support Kits

Bosch offers a series of mounting options and support kits to tailor your AUTODOME installation to various environments.

#### Pendant Mounts

The AUTODOME indoor/outdoor pendant housings can be connected to an arm, a roof, or to a pipe mount. Pendant arm mounts are available with a connected power supply box or as a separate arm with connected wiring. All pendant arm mounts can be connected to a corner or mast (pole) adapter, extending the installation options.

In addition to the arm mounts, Bosch offers a pipe mount and a roof parapet mount. The pipe mount allows an AUTODOME pendant housing to be attached to a 1-1/2 inch (NPS) pipe (user-supplied). The roof parapet mount is an aluminum pole that secures an AUTODOME pendant to a roof surface. In addition, accessories are available to secure the parapet mount to a flat roof surface.

#### In-ceiling Support Kits

AUTODOME in-ceiling housings do not require optional accessories when mounting to drywall ceilings, but support kits are available for specific installation needs.

For suspended or drop ceilings, Bosch offers a kit that provides the necessary support to secure the in-ceiling housing to a ceiling tile.

Bosch also offers a kit that offers IP54 ingress protection for in-ceiling installation for 100/600 Series, while AUTODOME 7000 in-ceiling is IP54-compliant with no additional purchases necessary.

### Power Supplies

Bosch offers a variety of stand-alone power supply boxes that are available without a transformer (for 24 VAC power input) and with either a 120 VAC or a 230 VAC transformer. Each power supply box offers 100 W output and the power supply box enclosures are NEMA-rated.

Also available are a trim skirt to improve the aesthetics of the power supply box and a replacement power supply box cover.

### Fiber Optic Kits

The VGA-FIBER-AN (multimode) is an analog, fiber optic conversion kit for use with 100 and 600 Series AUTODOMES. This module is a video transmitter/data receiver modules designed to be mounted directly into an AUTODOME power supply box.

The VG4-SFPSCKT is a unique media converter module for use with 7000 Series AUTODOMES. This media converter is designed to accept a wide-range of 10/100 Mbps Small Form-factor Pluggable (SFP) modules for use with Multimode or Singlemode optical fiber with LC or SC connectors. The media converter module along with the SFP module is user-installed directly into the AUTODOME's power supply box to provide an integrated fiber optic solution.

### Bubbles

Bosch offers a range of bubbles for in-ceiling and pendant housings.

AUTODOME replacement bubbles are made of polycarbonate or acrylic. (The IK10-rated bubble is made of nylon.) Rugged polycarbonate bubbles provide high impact resistance, and their optical clarity is comparable to glass or acrylic, although their surface is much softer. Acrylic bubbles offer enhanced image clarity for high-resolution images but are low-impact. The IK10-rated bubble provides both impact resistance and HD quality image resolution.

Clear bubbles offer maximum sensitivity by allowing as much light through as possible. Tinted bubbles offer coyness by making it difficult to see from the outside the direction the camera is facing.

AUTODOME rugged polycarbonate and IK10-rated bubbles protect your camera from vandalism. Designed to meet stringent strength standards without compromising optical clarity, rugged bubbles can withstand impacts equivalent to a 4.5 kg (10 lb) weight dropped from a height of 3 meters (10 ft).

### Cold Weather Accessory

The optional VG4-SHTR-XT extreme temperature kit allows an AUTODOME 600 outdoor pendant to operate in temperatures down to -60°C (-76°F), ensuring reliable operation in even the harshest environments.

## Installation/configuration notes

AUTODOME Series cameras are available as fully-assembled pendant or in-ceiling units. These units are packaged without mounting hardware or accessories so that you can choose only the parts needed for your application and environment.

### Pendant Mounts

Pendant housings must be mounted to an arm or to a pipe using one of the options below. Various mounting accessories are also available to extend these mounting options to a host of applications.

VGA-PEND-ARM	Arm mount with wiring, no power supply box
VG4-A-9543	Pipe mount for a 1-1/2 inch (NPS) pipe
VGA-ROOF-MOUNT	Roof mount with parapet only (requires additional purchase of VG4-A-9543)

### Pendant Mount Accessories

Accessory	Description	For Use With
VGA-PEND-WPLATE	Mounting plate	VGA-PEND-ARM
VG4-A-9541	Mast (Pole) mount adapter	
VG4-A-9542	Corner mount adapter	
LTC 9230/01	Flat roof mount adapter	VGA-ROOF-MOUNT

### In-ceiling Support Kits

In-ceiling housings can be mounted to a drywall ceiling out of the box, but Bosch offers various kits to attach an in-ceiling housing to a suspended or to a drop ceiling. Kits are also available to add IP54 environmental protection to these housings.

Support Kit	Description	For Use With
VGA-IC-SP	Bracket for suspended or drop ceilings	AUTODOME 100/600/7000 Series in-ceiling models
VGA-IP54K-IC	Gasket kit for IP54 certification	AUTODOME 100/600 Series models VG5-161-CTO VG5-162-CTO VG5-163-CTO VG5-164-CTO VG5-613-CCS VG5-613-CTS

### Power Supply Boxes

Bosch offers power supply boxes for all mounting options and power supply accessories to enhance the aesthetics of the boxes.

Power Supply	Description
VG4-A-PA0	Pendant Arm + Power Box without transformer (24 VAC)
VG4-A-PA1	Pendant Arm + Power Box with 120 VAC transformer
VG4-A-PA2	Pendant Arm + Power Box with 230 VAC transformer

Power Supply	Description	For Use With
VG4-A-PSU0	No transformer (24 VAC input), 100 W	VGA-PEND-ARM VG4-A-9543 VGA-ROOF-MOUNT
VG4-A-PSU1	120 VAC transformer, 100 W	
VG4-A-PSU2	230 VAC transformer, 100 W	

**Power Supply Box Accessories**

Accessory	Description	For Use With
VG4-A-TSKIRT	Trim skirt	VG4-A-PSU0 VG4-A-PSU1 VG4-A-PSU2

**Fiber Optic Kits**

The fiber optic kits extend the range that the AUTODOME camera can receive commands and transmit video and data. Both fiber optic kits are designed to fit inside an AUTODOME power supply with all necessary connections.

Kit	Description	For Use With
VGA-FIBER-AN	Analog Multimode Fiber Optic Kit	AUTODOME 100/600 Series
VG4-SFPCKT	Ethernet Media Converter Kit	AUTODOME 7000 Series

**AUTODOME 600 Series Accessories**

These accessories fit inside certain AUTODOME 600 Series housings and extend the camera’s installation and usage options.

Accessory	Description	For Use With
VG4-SHTR-XF	Extended temperature heater module	VG5-613-ECS VG5-614-ECS VG5-623-ECS VG5-624-ECS

**Bubbles for In-ceiling Cameras**

**Bubbles for legacy cameras in “VG4-“, “VG5-1xx”, “VG5-6xx” series\***

Description	Bubble Part Number
Clear high-resolution acrylic	VGA-BUBBLE-CCLA
Tinted high-resolution acrylic	VGA-BUBBLE-CTIA

Clear rugged polycarbonate	VGA-BUBBLE-CCLR
Tinted rugged polycarbonate	VGA-BUBBLE-CTIR
Clear HD high-resolution acrylic	VGA-BUBHD-CCLA
Tinted HD high-resolution acrylic	VGA-BUBHD-CTIA

\* with polycarbonate bubble rings

**Bubbles for legacy cameras in “VG5-7xx” series \*\***

Description	Bubble Part Number
Clear rugged polycarbonate	VGA-BUBBLE-CCLR
Tinted rugged polycarbonate	VGA-BUBBLE-CTIR
Clear high-resolution acrylic, large	VGA-BUBLRG-CCLA
Tinted high-resolution acrylic, large	VGA-BUBLRG-CTIA

\*\* with large polycarbonate bubble rings

**Bubbles for current cameras in AUTODOME IP 7000\* series**

Description	Bubble Part Number
Clear high-resolution acrylic	VGA-BUBBLE-CCLA <sup>1</sup>
Tinted high-resolution acrylic	VGA-BUBBLE-CTIA <sup>2</sup>
Clear rugged polycarbonate	VGA-BUBBLE-CCLR
Tinted rugged polycarbonate	VGA-BUBBLE-CTIR
Clear HD high-resolution acrylic	VGA-BUBHD-CCLA
Tinted HD high-resolution acrylic	VGA-BUBHD-CTIA

\* with current versions of polycarbonate bubble rings

<sup>1</sup> Included with PAL camera models.

<sup>2</sup> Included with NTSC camera models.

**Bubbles for current cameras in AUTODOME HD 7000\*\* series**

Description	Bubble Part Number
Clear HD high-resolution acrylic	VGA-BUBHD-CCLA
Tinted HD high-resolution acrylic	VGA-BUBHD-CTIA <sup>3</sup>

\*\* with acrylic rings

<sup>3</sup> Included with camera.

**Bubbles for Pendant Cameras**

Description	Bubble Part Number
Clear high-resolution acrylic	VGA-BUBBLE-PCLA
Tinted high-resolution acrylic	VGA-BUBBLE-PTIA
Clear rugged polycarbonate	VGA-BUBBLE-PCLR
Tinted rugged polycarbonate	VGA-BUBBLE-PTIR
Clear rugged IK10-rated nylon	VGA-BUBBLE-IK10

### Trim Rings

The following table describes the trim rings for each bubble.

Description	Bubble Part Number	Trim Ring Information
Clear high-resolution acrylic	VGA-BUBBLE-CCLA	Includes small rings. (Bubble comes assembled with white ring; if you want black ring, you must swap the ring.)
Tinted high-resolution acrylic	VGA-BUBBLE-CTIA	Fits any small in-ceiling can.
Clear rugged polycarbonate	VGA-BUBBLE-CCLR	Bubble only. If you have a tinted bubble but want to use a clear one, you must reuse the ring that came with the tinted bubble.
Tinted rugged polycarbonate	VGA-BUBBLE-CTIR	Bubble only. If you have a clear bubble but want to use a tinted one, you must reuse the ring that came with the clear bubble.
Clear high-resolution acrylic	VGA-BUBLRG-CCLA	Includes large rings. Only required for AUTODOME 700 models (VG5-7xx-). Fits large in-ceiling can.
Tinted high-resolution acrylic	VGA-BUBLRG-CTIA	
Clear HD high-resolution acrylic	VGA-BUBHD-CCLA	Includes small rings. The inner ring is part of the bubble and cannot be separated from it.
Tinted HD high-resolution acrylic	VGA-BUBHD-CTIA	

### Technical specifications

#### Pendant Mounts

##### Dimensions

##### Indoor Pendant Mounts<sup>1</sup> (W x H x D)

VGA-PEND-ARM	169.5 x 366.4 x 460.1 mm (6.67 x 14.43 x 18.12 in.)
--------------	--

##### Outdoor Pendant Mounts<sup>1</sup> (W x H x D)

VGA-PEND-ARM	224.0 x 366.4 x 477.6 mm (8.82 x 14.43 x 18.8 in.)
--------------	---

#### Pendant Mount Accessories

VGA-PEND-WPLATE (W x H)	169.5 x 216.4 mm (6.67 x 8.52 in.)
VG4-A-9541 (W x H x D)	175.0 x 183.0 x 58.9 mm (6.9 x 7.6 x 2.3 in.)
VG4-A-9542	219.1 x 236.0 x 216.4 mm

(W x H x D)	(6.83 x 9.3 x 5.25 in.)
VGA-ROOF-MOUNT (W x H)	1,022.4 x 1,190.8 mm (40.25 x 46.88 in.)
LTC 9230/01 (W x H)	254.0 x 254.0 mm (10.0 x 10.0 in.)

1. Dimensions include the mount and the connected pendant housings.

The VGA-ROOF-MOUNT has 1.5-in. NPT tapered male threads.

#### Power Supplies

Model	Input	Output Rating	Input Fuses	Output Fuses	
				Camera	Heater
VG4-A-PSU0	24 VAC, 50/60 Hz	24 V @ 96 VA	5.0 A	2.0 A	3.15 A
VG4-A-PSU1	120 VAC, 50/60 Hz	24 V @ 96 VA	1.6 A	2.0 A	3.15 A
VG4-A-PSU2	230 VAC, 50/60 Hz	24 V @ 96 VA	0.8 A	2.0 A	3.15 A

#### Mechanical

Certifications	UL, CE, Plenum Rated
Dimensions (W x H x D), all models <sup>2</sup>	170.0 x 216.4 x 105.0 mm (6.69 x 8.52 x 4.13 in.)
Construction Material	Cast Aluminum
Standard Color	White (RAL9003)
Standard Finish	Powder coated, sand finish

2. Dimensions for power supplies include the cover.

#### Environmental

Operating Temperature	-60°C to 55°C (-76°F to 131°F)
Humidity	0% to 100%, condensing
Environmental Protection	IP66, IK 8 (IEC 62262)

#### Fiber Optic Kits

VGA-FIBER-AN	
Description	Multimode Fiber Optic Module
Compatible Receiver	LTC 4629 Series
Optical Fiber Compatibility	50/125 μm, 62.5/125 μm, low loss multimode glass fiber, rated for a minimum system bandwidth of 20 MHz
Max. Distance	4.0 km (2.5 miles)
Optical Budget	14 dB

Connector	One (1) ST connector
Wavelength (video/data)	850 nm / 1310 nm

**VG4-SFPSCKT**

Description	Fiber Optic Ethernet Media Converter kit. Requires a small form-factor pluggable (SFP) module (sold separately).
Data Interface	Ethernet
Data Rate	10/100 Mbps IEEE 802.3 Compliant Full Duplex or Half Duplex Electrical Port Full Duplex Optical Port
Compatible Receiver	CNFE2MC/IN
Installation	Installed inside a VG4-A-PA1, VG4-A-PA2, VG4-A-PSU1 or a VG4-A-PSU2 power supply box, or in a MIC IP PSU, with supplied mounting hardware. Note: Wiring for the VG4-SFPSCKT must be routed through the proper conduit opening on the power supply box. Refer to the installation guide that accompanies the module.
Operating Temperature	-40 °C to +50 °C (-40 °F to +122 °F)

**SFP Modules**

Description	Interchangeable modules available for use with MMF or SMF optical fiber.
Data Interface	Ethernet
Data Rate	10/100 Mbps IEEE 802.3 Compliant

**Mechanical**

Dimensions (W x H x D)	
• SFP-2 and SFP-3	13.5 x 8.5 x 55.5 mm (0.5 x 0.3 x 2.2 in.)
• SFP-23, SFP-24, SFP-25, SFP-26	13.5 x 8.5 x 63.8 mm (0.5 x 0.3 x 2.5 in.)
Weight (all SFP modules)	0.23 kg (.05 lb)

	Type	Connector	Wavelength (transmit/receive)	Max. Distance
SFP-2	MMF	Duplex LC	1310 nm / 1310 nm	2 km (1.2 miles)
SFP-3	SMF	Duplex LC	1310 nm / 1310 nm	20 km (12.4 miles)

SFP-25	MMF	Single SC	1310 nm / 1550 nm	2 km (1.2 miles)
SFP-26	MMF	Single SC	1550 nm / 1310 nm	2 km (1.2 miles)

**Fiber Compatibility**

Optical Fiber Compatibility, MMF	50/125 µm MMF. For 50/125 µm fiber, subtract 4 dB from the specified optical budget value. Must meet or exceed fiber standard ITU-T G.651.
Optical Fiber Compatibility, SMF	8–10/125 µm SMF. Must meet or exceed fiber standard ITU-T G.652.
Optical Distance Specifications	Specified transmission distances are limited to the optical loss of the fiber and any additional loss introduced by connectors, splices, and patch panels. The modules are designed to operate over the entire optical loss budget range, so they do not require a minimum loss in order to operate.

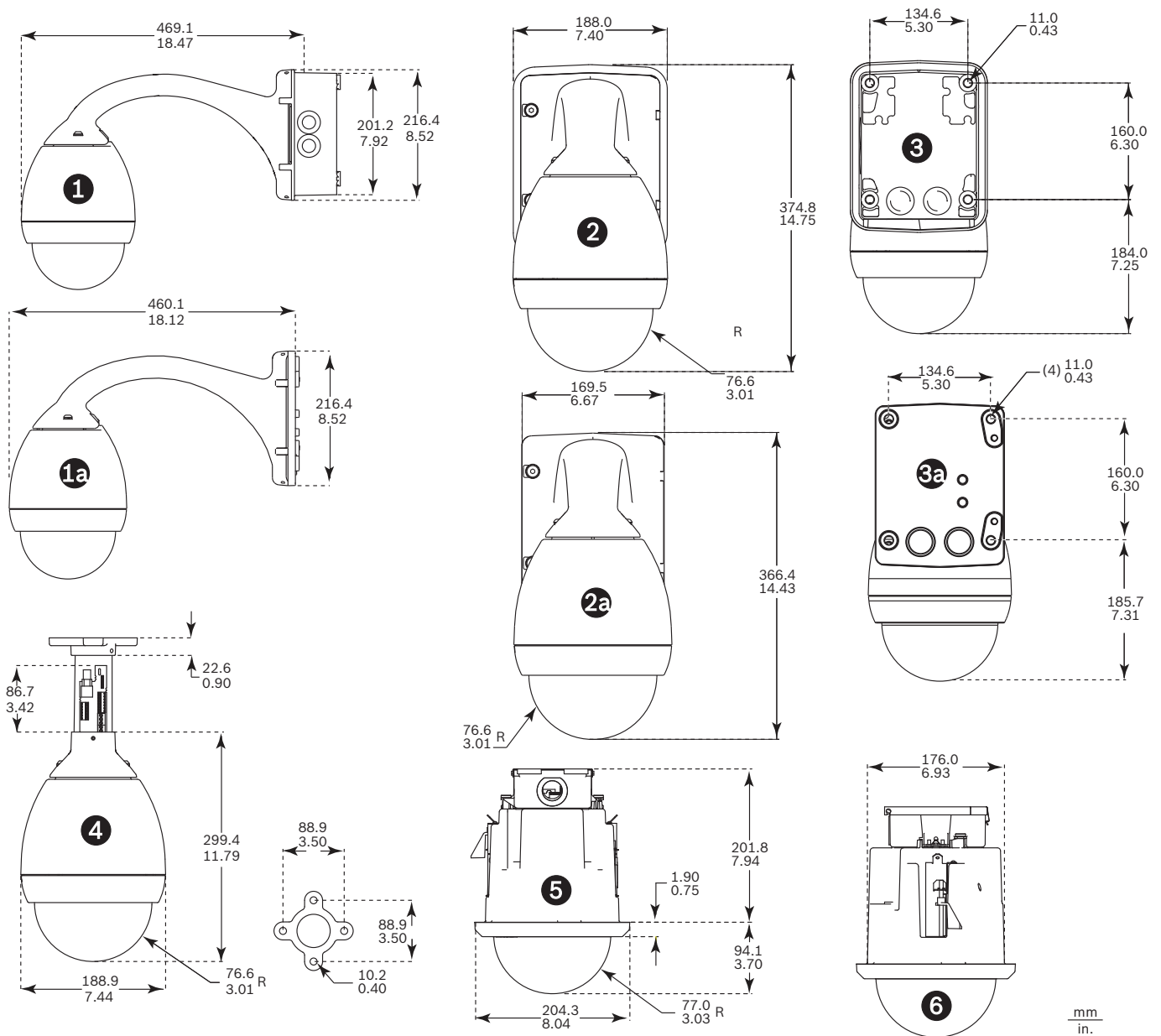
**Heating Module**

VG4-SHTR-XT	Extended temperature heater module extends temperature range to -60°C (-76°F); for AUTODOME 600 Series Outdoor Pendants only
-------------	--

**VGA-BUBBLE-1K10 for Pendant Cameras**

Construction material	Nylon
Size	∅ 181.80
External Mechanical Impact (IK Code or Impact rating)	IK10
UV Rating for Sunlight	F1

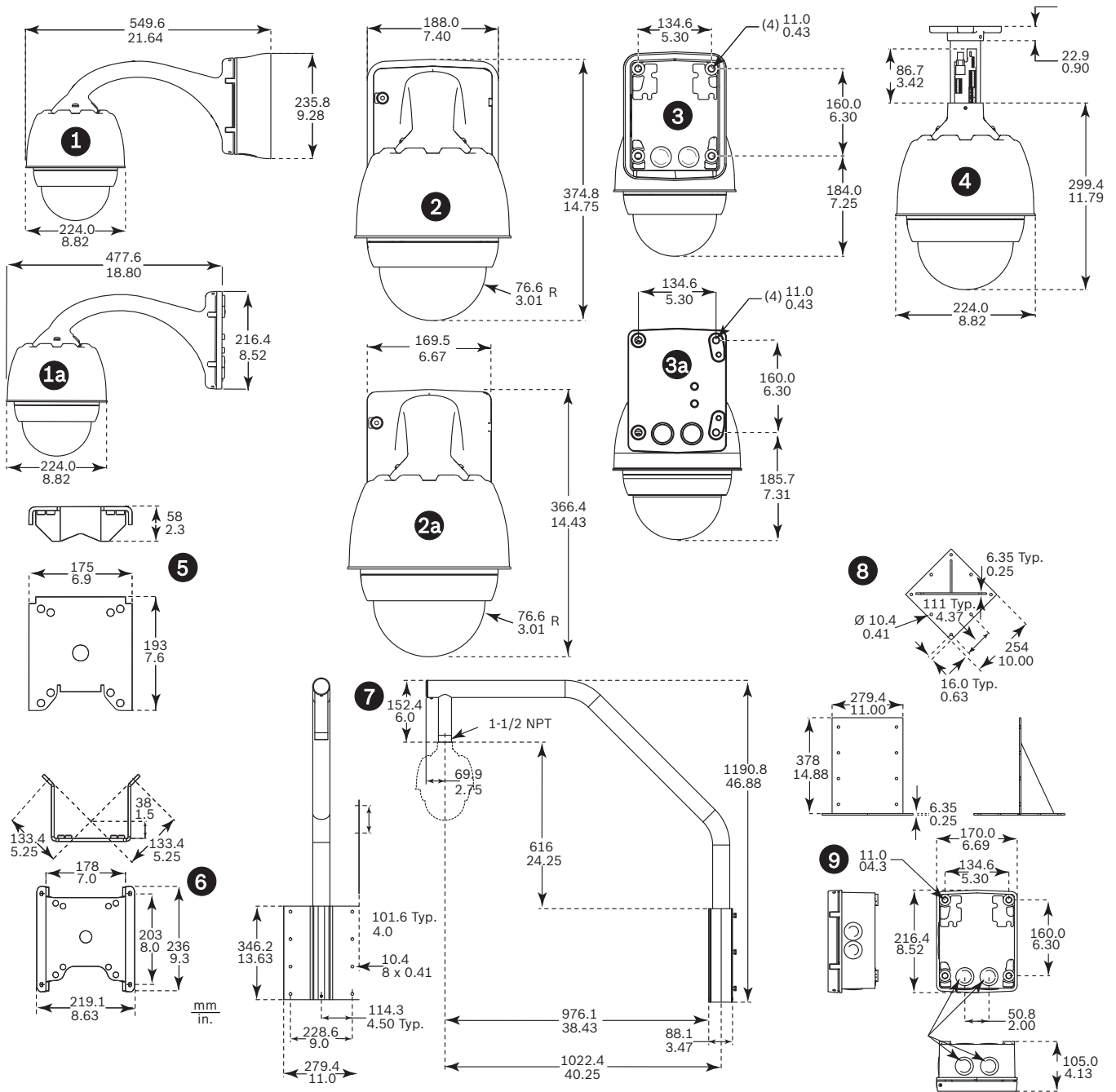
**Dimensions: Indoor AUTODOMEs with Mounting Options**



*Indoor System Dimensions*

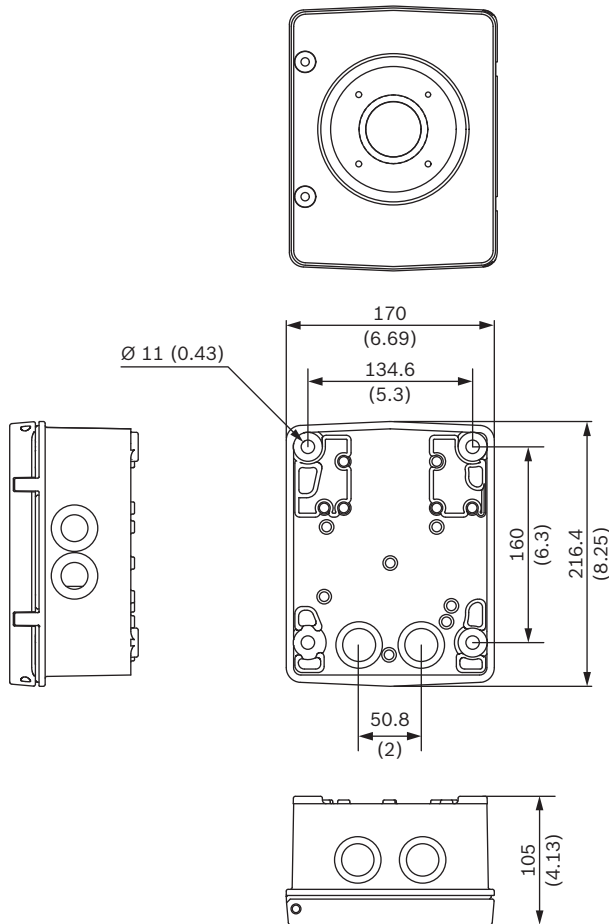
Reference	Description		
1	Wall Mount – Side with power supply	5	In-ceiling Mount – Front
1a	Wall/Mast Mount – Side with VGA-PEND-WPLATE	6	In-ceiling Mount – Side
2	Wall Mount – Front with power supply and trim skirt		
2a	Wall Mount – Front with power supply		
3	Wall Mount – Back with power supply and trim skirt		
3a	Wall Mount – Back with power supply		
4	Pipe Mount		

**Dimensions: Outdoor AUTODOMEs with Mounting Options and Power Supply Box**



*Outdoor System Dimensions*

Reference	Description		
1	Wall Mount – Side with power supply and trim skirt	4	Pipe Mount
1a	Wall/Mast Mount – Side with VGA-PEND-WPLATE	5	Mast (Pole) Mount Adapter
2	Wall Mount – Front with power supply and trim skirt	6	Corner Mount Adapter
2a	Wall Mount – Front with power supply	7	Roof Mount
3	Wall Mount – Back with power supply and trim skirt	8	Roof Mount Adapter
3a	Wall Mount – Back with power supply	9	Power Supply for Pipe and Roof Mounts



VG4-PSUx Dimensional drawing

### Ordering information

#### **VG4-PEND-ARM Pendant Arm with Wiring**

Compatible with an AutoDome Series pendant housing  
Order number **VG4-PEND-ARM@1**

#### **VG4-PEND-WPLATE Mounting Plate**

Mounting plate for VG4-PEND-ARM, compatible with an AutoDome Series camera  
Order number **VG4-PEND-WPLATE**

#### **VG4-ROOF-MOUNT Roof Mount**

Roof parapet mount, white  
VG5-6xx/7xxx cameras require VG4-A-9543 Pipe Mount (sold separately).  
NEZ-5130-/NEZ-5230- cameras require NDA-ADPTR-NPTMET (sold separately)  
Order number **VG4-ROOF-MOUNT**

#### **LTC 9230/01 Flat Roof Mount Adapter**

Flat Roof Mount Adapter for mounting a unit in an upright position on a flat surface.  
Order number **LTC 9230/01**

#### **VG4-A-9541 Pole Mount Adapter**

Pole mount adapter for an AUTODOME pendant arm or a DINION imager, designed for poles with a diameter of 100-380 mm (4-15 in.), white  
Order number **VG4-A-9541**

#### **VG4-A-9542 Corner Mount Adapter**

Corner mount adapter for an AUTODOME pendant arm or a DINION imager  
Order number **VG4-A-9542**

#### **VG4-A-9543 Pipe Mount**

Pipe mount, white, for an AutoDome Series pendant housing  
Order number **VG4-A-9543**

#### **VG4-IP54K-IC IP54 In-ceiling Gasket Kit for AutoDome 100/600 Series**

Gasket kit for AutoDome 100 and 600 Series, AutoDome In-ceiling mounts required for IP54 environmental rating.  
Order number **VG4-IP54K-IC**

#### **VGA-IC-SP In-ceiling Support Kit**

Suspended ceiling support kit for dome cameras. Aperture Ø177 mm (Ø7 in). Maximum supported weight 11.3 kg (25 lb).  
Order number **VGA-IC-SP**

#### **VG4-A-PA0 Pendant Arm Mount**

Pendant arm mount with power supply box for an AUTODOME Series camera, no transformer, white  
Order number **VG4-A-PA0@1**

#### **VG4-A-PA1 Pendant Arm Mount with 120 VAC Transformer**

Pendant arm mount with power supply box for an AUTODOME Series camera with a 120 VAC transformer, white  
Order number **VG4-A-PA1**

#### **VG4-A-PA2 Pendant Arm Mount with 230 VAC Transformer**

Pendant arm mount with power supply box for an AUTODOME Series camera with a 230 VAC transformer, white  
Order number **VG4-A-PA2@1**

#### **VG4-A-PSU0 24 VAC Power Supply Unit**

Power supply, 24 VAC input, for a PTZ camera in the AUTODOME Series. White, aluminum enclosure with cover, rated IP66 and IK 08. 100 W output. Optional trim skirt (sold separately).  
Order number **VG4-A-PSU0**

#### **VG4-A-PSU1 120 VAC Power Supply Unit**

Power supply, 120VAC input, 24VAC output @ 96VA. Suitable for powering AUTODOME, MIC IP 7000, and MIC IP fusion 9000i cameras. White aluminum enclosure with cover. IP66 ingress. IK10 impact.  
Order number **VG4-A-PSU1@2**



**VG4-A-PSU2 230 VAC Power Supply Unit**

Power supply, 230VAC input, 24VAC output @ 96VA. Suitable for powering AUTODOME, MIC IP 7000, and MIC IP fusion 9000i cameras. White aluminum enclosure with cover. IP66 ingress. IK10 impact. Order number **VG4-A-PSU2@90**

**VGA-SBOX-COVER Cover for AUTODOME Power Supply Boxes**

Cover for AUTODOME Power Supply Boxes, white Order number **VGA-SBOX-COVER**

**VG4-A-TSKIRT Trim Skirt for AUTODOME Power Supply Boxes**

Trim skirt for the following AutoDome Series power supply boxes:  
VG4-A-PSU0, VG4-A-PSU1, and VG4-A-PSU2  
Order number **VG4-A-TSKIRT**

**VGA-FIBER-AN Analog Multimode Fiber Optic Kit**

Analog multimode video transmitter/data receiver fiber optic kit  
Order number **VGA-FIBER-AN**

**VG4-SFPSCKT Fiber Optic Ethernet Media Converter Kit**

Ethernet media converter video transmitter/data receiver fiber optic kit for AUTODOME cameras and for MIC-IP-PSU for MIC analog cameras.  
Order number **VG4-SFPSCKT**

**VG4-SHTR-XT Heater Module**

Extended temperature heater module extends temperature range to -60°C (-76°F) for AutoDome 100 and 600 Series Outdoor Pendants only  
Order number **VG4-SHTR-XT@1**

**VGA-BUBBLE-CCLR Clear Rugged Bubble for an In-ceiling Housing**

Impact resistant polycarbonate bubble  
Order number **VGA-BUBBLE-CCLR**

**VGA-BUBBLE-CCLA Clear High-resolution Bubble for an In-ceiling Housing**

Low-impact acrylic bubble  
Order number **VGA-BUBBLE-CCLA**

**VGA-BUBBLE-CTIR Tinted Rugged Bubble for an In-ceiling Housing**

Impact resistant polycarbonate bubble  
Order number **VGA-BUBBLE-CTIR**

**VGA-BUBBLE-CTIA Tinted High-resolution Bubble for an In-ceiling Housing**

Low-impact acrylic bubble  
Order number **VGA-BUBBLE-CTIA**

**VGA-BUBBLE-PCLR Clear Rugged Bubble for a Pendant Housing**

Impact resistant polycarbonate bubble  
Order number **VGA-BUBBLE-PCLR**

**VGA-BUBBLE-PCLA Clear High-resolution Bubble for a Pendant Housing**

Low-impact acrylic bubble  
Order number **VGA-BUBBLE-PCLA**

**VGA-BUBBLE-PTIR Tinted Rugged Bubble for a Pendant Housing**

Impact resistant polycarbonate bubble  
Order number **VGA-BUBBLE-PTIR**

**VGA-BUBBLE-PTIA Tinted High-resolution Bubble for a Pendant Housing**

Low-impact acrylic bubble  
Order number **VGA-BUBBLE-PTIA**

**VGA-BUBLRG-CCLA AD Large InCeil Can HighRes Bubble Clear**

High-resolution bubble for AUTODOME in-ceiling cameras, clear  
Order number **VGA-BUBLRG-CCLA**

**VGA-BUBLRG-CTIA AD Large InCeil Can HighRes Bubble Tint**

High-resolution bubble for AUTODOME in-ceiling cameras, tinted  
Order number **VGA-BUBLRG-CTIA**

**VGA-BUBHD-CCLA Clear HD High-Resolution Acrylic Bubble for In-Ceiling AUTODOME cameras**

High-resolution acrylic bubble for AUTODOME HD in-ceiling cameras, clear  
Order number **VGA-BUBHD-CCLA**

**VGA-BUBHD-CTIA Tinted HD High-Resolution Acrylic Bubble for In-Ceiling AUTODOME cameras**

High-resolution acrylic bubble for AUTODOME HD in-ceiling cameras, tinted  
Order number **VGA-BUBHD-CTIA**

**VGA-BUBBLE-IK10 IK10 Bubble for pendant housing**

IK10-rated bubble qualified for use with AUTODOME 7000 HD cameras with pendant housings  
Order number **VGA-BUBBLE-IK10**