

NDA-U-PMAS Pole mount adapter small

www.boschsecurity.com



BOSCH
Invented for life



- ▶ Compact pole mount adapter for direct installation of the Bosch pendant wall mount
- ▶ Modular design for fast and easy installation
- ▶ Vandal resistant design for indoor and outdoor use
- ▶ Weather resistant finish to maintain cosmetic appearance

The modular camera mounts & accessories are a family of mounts, mounting adapters, pendant interface plates and surveillance cabinets which can be used with a wide range of Bosch cameras. The accessories are easy to install and can be combined to simplify installation in multiple locations whilst retaining the same look and feel.

Functions

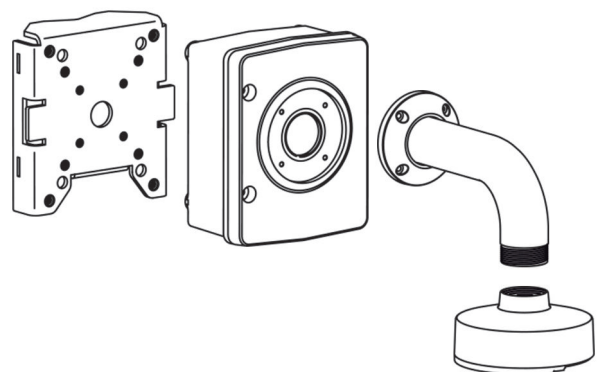
Pole mount adapter

Compact pole mount adapter for direct installation of pendant wall mount.

Universal accessory combinations

It provides a safe and robust solution to mount cameras together with the following accessories.

- NDA-U-WMT Pendant wall mount
- NDA-U-PSMB Pendant wall/ceiling mount SMB



Certifications and approvals

Environmental

Salt mist	IEC60068-2-52
Vibration	NEMA TS2
Shock	IEC60068-2-27
Impact	IK10

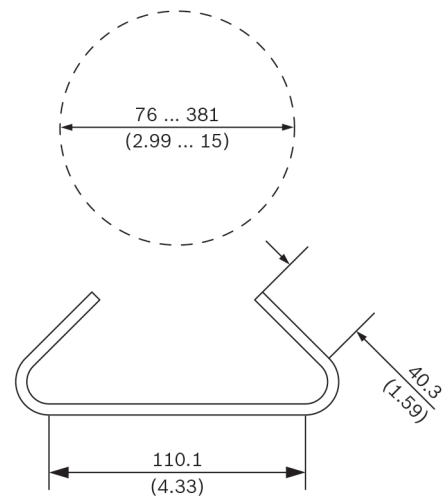
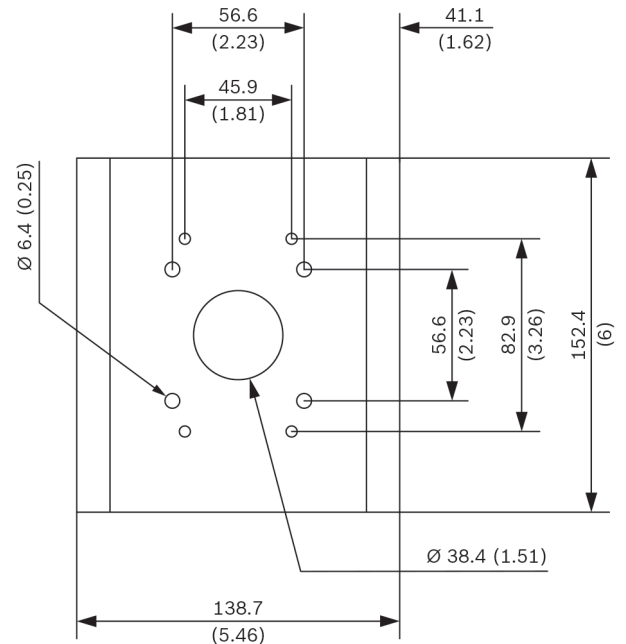
Parts included

Quantity	Component
1	Pole mount adapter small
4	M6 x 20 mm Hex screw
4	M6 spring washer
4	M6 washer
4	#6-32 x 1 inch Slotted Oval head screw
2	Strap, stainless, 5 feet long
2	Buckle
1	Quick Installation Guide

Technical specifications

Mechanical

Dimensions (W x H)	129 x 152 mm (5.1 x 6.0 in)
Weight	508 g (1.12 lb)
Standard Color	White (RAL 9003)
Construction Material	Aluminum alloy



Dimensions in mm (inch)

Ordering information

NDA-U-PMAS Pole mount adapter small
 Pole mount adapter small
 Universal pole mount adapter, white; small.
 Order number **NDA-U-PMAS**

Accessories

NDA-U-PSMB Pendant wall/ceiling mount SMB
 Surface mount box (SMB) for wall mount or pipe mount.
 Order number **NDA-U-PSMB**

NDA-U-WMT Pendant wall mount
 Universal wall mount for dome cameras, white
 Order number **NDA-U-WMT**