

NDA-U-PMT Pendant pipe mount, 12" (31cm)

www.boschsecurity.com



BOSCH
Invented for life



- ▶ Pendant pipe mount for suspended camera installation
- ▶ Modular design for fast and easy installation
- ▶ Weather resistant finish to maintain cosmetic appearance
- ▶ Vandal resistant design for indoor and outdoor use

The modular camera mounts & accessories are a family of mounts, mounting adapters, pendant interface plates and surveillance cabinets which can be used with a wide range of Bosch cameras. The accessories are easy to install and can be combined to simplify installation in multiple locations whilst retaining the same look and feel.

Functions

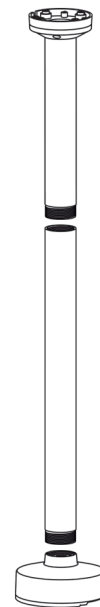
Pendant pipe mount

The pendant pipe mount allows the installation of a camera suspended from a ceiling. For high ceilings, the length can be extended by using an extension pipe. The mount supports easy cable management or can be combined with additional surface mount box for conduit connections.

Universal accessory combinations

It provides a safe and robust solution to mount cameras directly to a ceiling or it can be used in combination with:

- NDA-U-PSMB Pendant wall/ceiling mount SMB
- NDA-U-PA0/1/2 Surveillance cabinet
- NDA-U-WMP Wall mount plate



Certifications and approvals

Environmental

Salt mist	IEC60068-2-52
Vibration	NEMA TS2
Shock	IEC60068-2-27
Impact	IK10

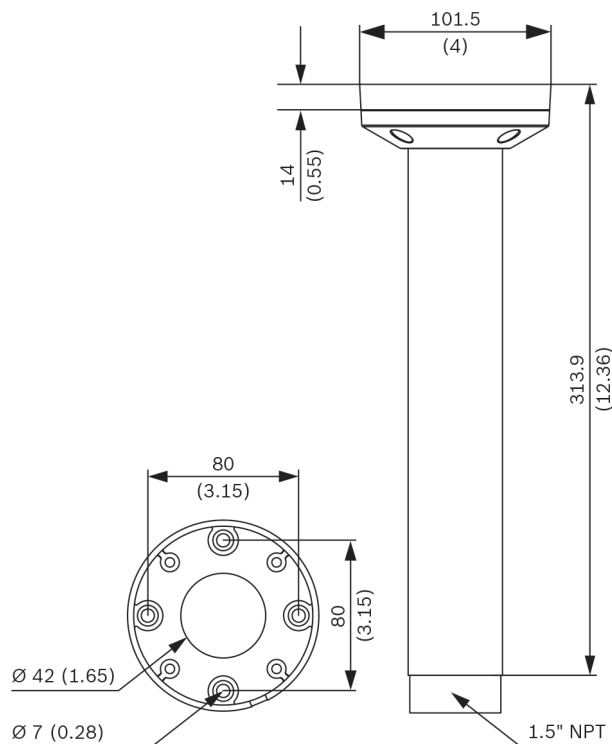
Parts included

Quantity	Component
1	Pipe mount
4	M5 x 16 mm pan head Torx screw with Zinc coating
1	T25 Torx key
1	Thread seal tape: PTFE tape
1	Quick Installation Guide

Technical specifications

Mechanical

Dimensions (with mounting flange)	Φ 101.5 mm (4 in.), L = 334 mm (13.2 in.)
Weight	689 g (1.52 lb)
Standard Color	White (RAL 9003)
Construction Material	Aluminum alloy



Dimensions in mm (inch)

Ordering information

NDA-U-PMT Pendant pipe mount, 12" (31cm)

Universal pipe mount for dome cameras, 31 cm, white
Order number **NDA-U-PMT**

Accessories

NDA-U-PMTE Pendant pipe extension, 20" (50cm)

Extension for universal pipe mount, 50 cm, white
Order number **NDA-U-PMTE**

NDA-U-PSMB Pendant wall/ceiling mount SMB

Surface mount box (SMB) for wall mount or pipe mount.

Order number **NDA-U-PSMB**

NDA-U-WMP Wall mount plate

Back plate for universal wall mount, corner mount and pole mount, white, IP66

Order number **NDA-U-WMP**

NDA-U-PA0 Surveillance cabinet 24VAC

Surveillance cabinet, 24 VAC input, 24 VAC output, IP66

Order number **NDA-U-PA0**

NDA-U-PA1 Surveillance cabinet 120VAC

Surveillance cabinet, 120 VAC input, 24 VAC output, IP66

Order number **NDA-U-PA1**

NDA-U-PA2 Surveillance cabinet 230VAC

Surveillance cabinet, 230 VAC input, 24 VAC output, IP66

Order number **NDA-U-PA2**

NDA-3050-PIP Pendant interface plate panoramic 5000

Pendant interface plate for FLEXIDOME IP panoramic 5000 MP. For outdoor and indoor

Order number **NDA-3050-PIP**

NDA-4020-PIP Pendant interface plate AUTODOME 4000

Pendant interface plate for AUTODOME IP 4000i.

Order number **NDA-4020-PIP**

NDA-5030-PIP Pendant interface plate NDE-4/5000

Pendant interface plate for outdoor FLEXIDOME 4000i / 5000i.

Order number **NDA-5030-PIP**

NDA-5031-PIP Pendant interface plate NDI-4/5000

Pendant interface plate for indoor FLEXIDOME IP 4000i / 5000i.

Order number **NDA-5031-PIP**

NDA-7010-PIP Pendant interface plate FLEXIDOME 7000

Pendant interface plate for FLEXIDOME IP panoramic 7000.

Order number **NDA-7010-PIP**
