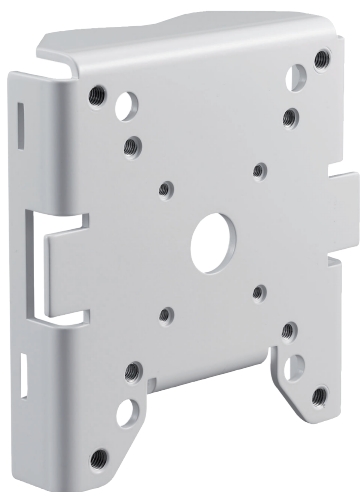


NDA-U-PMAL Pole mount adapter large

www.boschsecurity.com



BOSCH
Invented for life



- ▶ Pole mount adapter suitable for installation of accessories such as Bosch surveillance cabinets on a pole or mast
- ▶ Modular design for fast and easy installation
- ▶ Weather resistant finish to maintain cosmetic appearance

The modular camera mounts & accessories are a family of mounts, mounting adapters, pendant interface plates and surveillance cabinets which can be used with a wide range of Bosch cameras. The accessories are easy to install and can be combined to simplify installation in multiple locations whilst retaining the same look and feel.

Functions

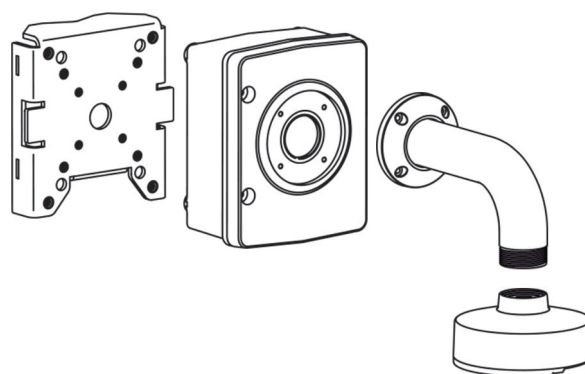
Pole mount adapter

This pole mount adapter enables installation on a pole or mast.

Universal accessory combinations

It provides a safe and robust solution to mount cameras together with the following accessories.

- NDA-U-WMT Pendant wall mount
- NDA-U-WMP Wall mount plate
- NDA-U-PA0/1/2 Surveillance cabinet
- NDA-U-PSMB Pendant wall/ceiling mount SMB



Certifications and approvals

Environmental

Salt mist	IEC60068-2-52
Vibration	NEMA TS2
Shock	IEC60068-2-27
Impact	IK10

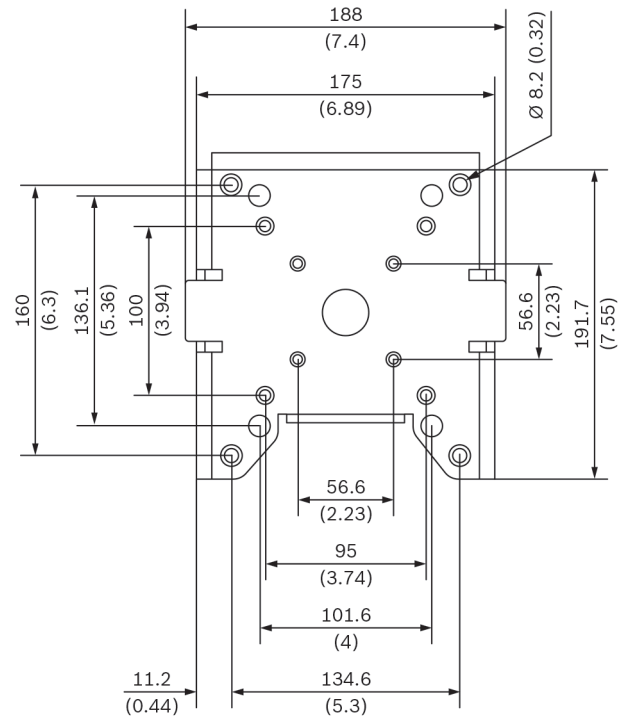
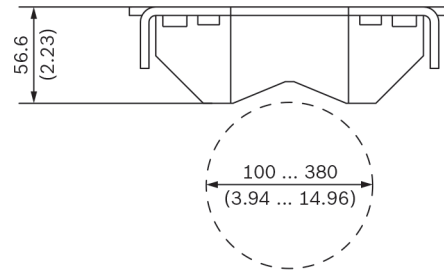
Parts included

Quantity	Component
1	Pole mount adapter large
4	3/8 inch-16 x 1.75 inch Hex screw
4	3/8 inch washer
4	M6 x 30 mm Hex screw
4	M6 washer
4	M6 spring washer
2	Strap, stainless, 5 feet long
2	Buckle
1	Quick Installation Guide

Technical specifications

Mechanical

Dimensions (W x H x D)	188 x 192 x 57 mm (7.4 x 7.6 x 2.2 in)
Weight	638 g (1.41 lb)
Standard Color	White (RAL 9003)
Construction Material	Aluminum alloy



Dimensions in mm (inch)

Ordering information

NDA-U-PMAL Pole mount adapter large

Universal pole mount adapter, white; large
Order number **NDA-U-PMAL**

Accessories

NDA-U-PA0 Surveillance cabinet 24VAC

Surveillance cabinet, 24 VAC input, 24 VAC output, IP66
Order number **NDA-U-PA0**

NDA-U-PA1 Surveillance cabinet 120VAC

Surveillance cabinet, 120 VAC input, 24 VAC output, IP66
Order number **NDA-U-PA1**

NDA-U-PA2 Surveillance cabinet 230VAC

Surveillance cabinet, 230 VAC input, 24 VAC output, IP66
Order number **NDA-U-PA2**

NDA-U-PSMB Pendant wall/ceiling mount SMB

Surface mount box (SMB) for wall mount or pipe mount.

Order number **NDA-U-PSMB**

NDA-U-WMP Wall mount plate

Back plate for universal wall mount, corner mount and pole mount, white, IP66

Order number **NDA-U-WMP**

NDA-U-WMT Pendant wall mount

Universal wall mount for dome cameras, white

Order number **NDA-U-WMT**
