

## AXIS T94A01L Recessed Mount

For discreet outdoor installations



- > Outdoor recessed mount
- > Designed for AXIS Q60-E
- > Vandal resistant
- > Flexible installation
- > Suitable for plenum installation

The outdoor-ready AXIS T94A01L Recessed Mount is designed for discreet and elegant installations of AXIS Q60-E PTZ Network Cameras in roof overhangs/soffits. Appreciated outside retail stores, hotels entrances and larger residential buildings. Made of aluminum and stainless steel it supports both safety standards and the impact resistance of the camera.

Together with the recessed mount, AXIS Q60-E can be mounted in panels, wood or pre-made holes in solid concrete. The mount is very sturdy and made of aluminum and stainless steel.

It supports IK10 rating, which makes the mount impact resistant to secure the installation from tampering. It also offers two 3/4" conduit holes for a plenum and/or rodent safe installation.



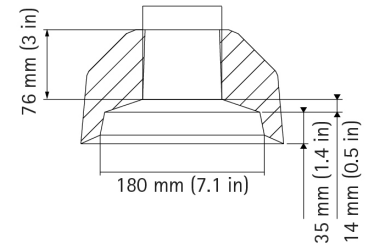
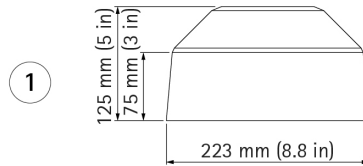
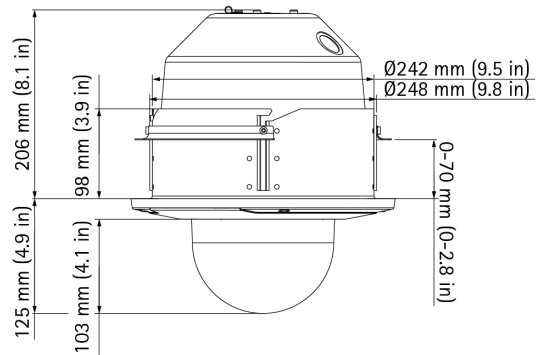
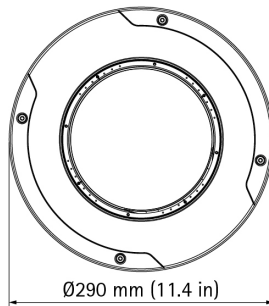
AXIS T94A01L with AXIS Q60-E

# Technical Specifications - AXIS T94A01L Recessed Mount

|                             |   |  |  |
|-----------------------------|---|--|--|
| <b>Models</b>               | AXIS T94A01L Recessed Mount   | <b>Approvals</b>   | RoHS, REACH, EN/UL/IEC 60950-1, EN/UL/IEC 60950-22, IEC/EN 60529 IP44, IEC/EN 62262 IK10<br>No impact on camera's approvals when used together with AXIS T94A01L |
| <b>General</b>              |   | <b>Weight</b>  | 2.36 kg (5.2 lb)<br>Maximum load: 6 kg (13.2 lb)   |
| <b>Supported cameras</b>    | AXIS Q60-E Network Cameras  | <b>Included accessories</b>  | Screw TX 20 pan M5, Cover Cap PG21 and counter nut (required to maintain fire enclosure of the product), Clip for optional safety wire, Installation Guide       |
| <b>Mounting</b>             | Recessed in roof overhang/soffit  | <b>Warranty</b>  | Axis 3-year warranty, see <a href="http://www.axis.com/warranty">www.axis.com/warranty</a>   |
| <b>Environment</b>          | Outdoor/Indoor  | <b>More information is available at <a href="http://www.axis.com">www.axis.com</a></b> |  |
| <b>Casing</b>               | Stainless steel, Aluminium<br>Color: White NCS S 1002-B<br>Cable routing (Top hole): Cable conduit hole M25 (3/4 in)<br>Cable routing (Side hole, 45° angle): Cable conduit hole M25 (3/4 in) |  |  |
| <b>Operating conditions</b> | -50 °C to 50 °C (-58 °F to 122°F)<br>Humidity 10-100% RH (condensing)<br>No impact on camera's operating conditions when used together with AXIS T94A01L                                      |  |  |

## Dimensions

1. Free volume: 2.3 l  
Available to fit accessories



**CENTRAL SECURITY DISTRIBUTION**

**1300 319 499**  
**csd.com.au**

VIC: Mulgrave, Tullamarine NSW: Seven Hills, Waterloo ACT: Fyshwick QLD: Loganholme SA: Marlestone WA: Balcatta