

## ACC650 Enclosure Installation Instructions

### 1 Overview

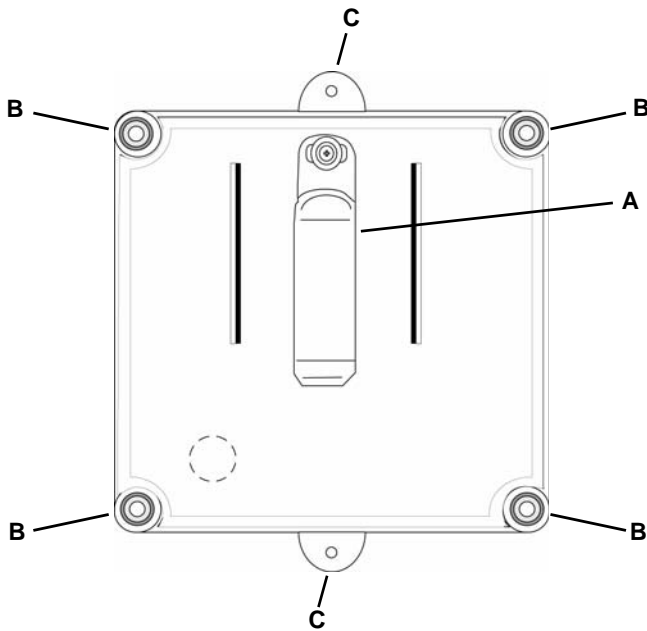
The ACC650 enclosure allows Inovonics EN5040-T and EN5040-20T high power repeaters to be mounted in a UL approved outdoor enclosure. The enclosure accommodates an optional backup battery.

#### 1.1 Inovonics Wireless Contact Information

If you have any problems with this procedure, contact Inovonics Wireless technical services:

- E-mail: support@inovonics.com
- Phone: (800) 782-2709; (303) 939-9336

#### 1.2 ACC650 Enclosure



**Figure 1** ACC650 enclosure

**A** High power repeater clip **B** Mounting hole **C** Mounting tab

### 2 Installation

#### 2.1 Installation Notes

- These products are designed to be maintained by professional security technicians
- All products should be manually tested weekly

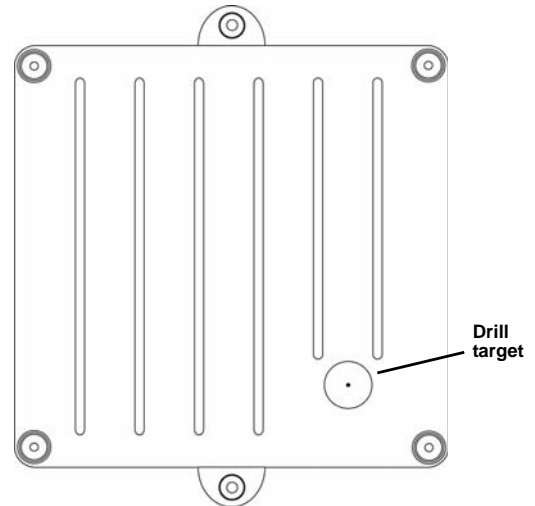
#### 2.2 What's in the Carton

- One UL Listed, non-metallic, liquid tight, Type-B connector
- Backup battery cabling

#### 2.3 Install UL Listed Non-Metallic, Liquid Tight, Type-B Connector

To meet UL 2560 requirements and weatherproof the ACC650 enclosure, it must be equipped with the included UL Listed, non-metallic, liquid tight, Type-B connector.

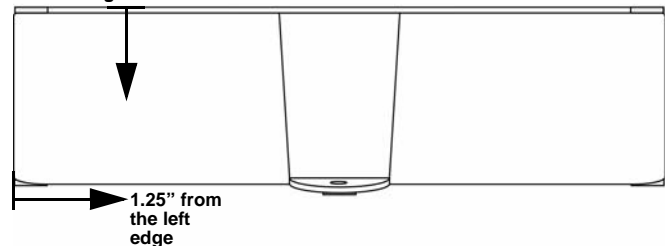
1. Use a Phillips screwdriver to loosen the four plastic housing cover release screws.
2. Lift the cover off of the housing, ensuring the absorbent packs remain in place.
3. Drill a 13/16" (.8125") diameter hole to accommodate the liquid tight connector.
  - If installing the liquid tight connector on the back of the ACC650 enclosure, use the drill target shown in Figure 2.



**Figure 2** ACC650 enclosure back drill target

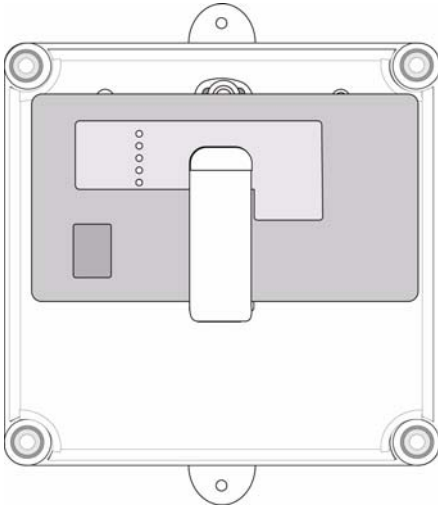
- If installing the liquid tight connector on the bottom of the ACC650 enclosure, drill the housing about 1.25" inches from the left side of the enclosure, as shown in Figure 3, at a point halfway between the front and back edges.

In the middle of the housing, roughly 1" from the front or back edge



**Figure 3** ACC650 enclosure bottom drill location

4. Remove all sharp edges from drilled hole.
5. Install the liquid tight connector into the drilled hole, ensuring the liquid-tight gasket is in place.
6. Thread the included locknut onto the liquid tight connector on the inside of the enclosure.
7. As desired, cut and fit UL Listed Type-B 1/2" liquid tight conduit to meet your cabling requirements
8. Mount the the ACC650 enclosure through either the mounting holes or the mounting tabs.
9. Route cabling through the liquid tight connector and conduit and connect to the repeater per the repeater's installation instructions.
10. Insert the repeater in the repeater clip, as shown in Figure 4.



**Figure 4** ACC650 enclosure with repeater installed.

### 3 Specifications

Compatible repeaters: EN5040-T, EN5040-20T

Dimensions: 7" x 6.75" x 3.125"

Weight: 1 lb 3.7 oz

UL 2560 certifications: EN5040-20T, ACC650

### 4 Warranty and Disclaimer

**Caution:** Changes or modifications not expressly approved by the party responsible for compliance could void the user's authority to operate the equipment.

Inovonics Wireless Corporation ("Inovonics") warrants its products ("Product" or "Products") to conform to its own specifications and to be free of defects in materials and workmanship under normal use for a period of thirty-six (36) months from the date of manufacture. Within the warranty period, Inovonics will repair or replace, at its option, all or any part of the warranted Product. Inovonics will not be responsible for dismantling and/or reinstallation charges. To exercise the warranty, the User ("User", "Installer" or "Consumer") must work directly through their authorized distributor who will be given a Return Material Authorization ("RMA") Number by Inovonics. Details of shipment will be arranged directly through the authorized distributor.

This warranty is void in cases of improper installation, misuse, failure to follow installation and operating instructions, alteration, accident or tampering, and repair by anyone other than Inovonics.

This warranty is exclusive and expressly in lieu of all other warranties, obligations or liabilities, whether written, oral, express, or implied. There is no warranty by Inovonics that Inovonics product will be merchantable or fit for any particular purpose, nor is there any other warranty, expressed or implied, except as such is expressly set forth herein. In no event shall Inovonics be liable for an incidental, consequential, indirect, special, or exemplary damages, including but not limited to loss of profit, revenue or contract, loss of use, cost of down time, or interruption of business, nor any claim made by distributor's customers or any other person or entity.

This warranty will not be modified or extended. Inovonics does not authorize any person to act on its behalf to modify or extend this warranty. This warranty will apply only to Inovonics Products. Inovonics will not be liable for any direct, incidental or consequential damage or loss whatsoever, caused by the malfunction of Product due to products, accessories, or attachments of other manufacturers, including batteries, used in conjunction with Inovonics Products.