

AE-VC122T-IT series 1MP IR Mobile Dome Camera



Key Features

- 1.0MP Progressive Scan CMOS
- Turbo HD output, up to 720P resolution
- 0.1Lux @(F1.2,AGC ON),0 Lux with IR
- Adopt wide-angle lens with wider monitoring coverage
- Support electronic shutter and AGC
- Up to IP68 protection level
- Patented universal regulating mechanism, easy to adjust
- Anti-vibration design and aviation port for mobile environments



Specifications

Camera	
Image Sensor	1.0MP Progressive Scan CMOS
Resolution	1280(H)×720(V)
Min. Illumination	0.1Lux @ (F1.2, AGC ON), 0 Lux with IR
Shutter Time	1/25(30)s to 1/50,000s
Lens	2.1mm(2.8mm/3.6mm optional)
Lens Mount	M12
Angle Adjustment	Pan:0° - 60°; Tilt:0° - 50°; Rotation:0° - 360°
Day & Night	Electronic
Horizontal Definition	950TVL
Synchronization	Internal
Video Output	Aviation port
Frame Rate	720p@25fps/30fps
Function	Mirror(PTZ control)
General	
Working Temperature/Humidity	-40°C~75°C, Humidity 90% or less (non-condensing)
Power Supply	DC6V-16V
Power Consumption	3.5W MAX
IR Range	20-30m
Protection Level	IP68
Dimension(mm)	74×64.47×71.16
Weight	200g

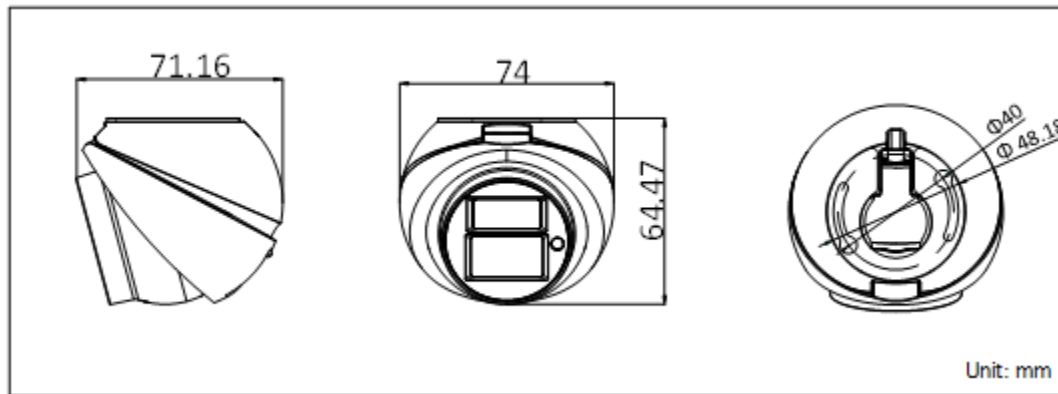
Order Models

AE-VC122T-IT (2.1mm)

AE-VC122T-IT (2.8mm)

AE-VC122T-IT (3.6mm)

Dimensions



Accessories



DS-1280ZJ-XS
Junction box



DS-1H18
Video Balun



X41T
Camera Tester