



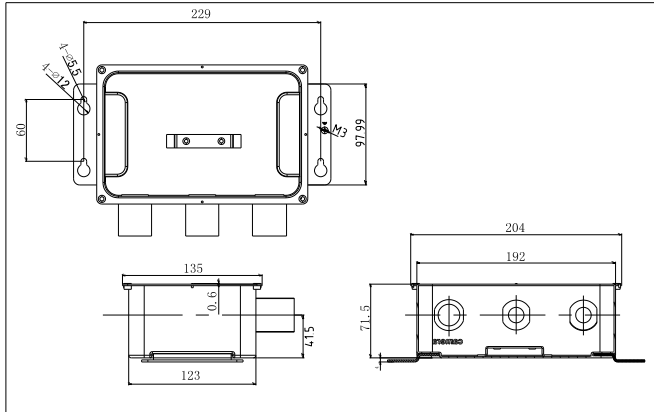
## DS-1284ZJ-M

Junction Box

### Key Features:

- Stainless steel 316L material
- Compact design, beautiful appearance

### Dimensions:



### Order Model:

DS-1284ZJ-M

### Specification:

Model	DS-1284ZJ-M
Parameter	Junction Box
Appearance	Stainless steel color
Application	Suitable for bullet and turret camera
Material	Stainless steel 316L
Dimension	229×210×135mm
Weight	1981g

### Notice:

- The bracket should be installed on flat wall
- Waterproof rubber is necessary for outdoor application
- The wall must be capable of supporting over 3 times as much as the total weight of the camera and the mount.
- The maximum load capacity of the bracket is 3KG



## CENTRAL SECURITY DISTRIBUTION

1300 319 499  
csd.com.au