

# FLAME SENSOR WITH SPEAKER

CE FS-6000C  
 N1702 FS-6000E

**HIGH SENSITIVITY  
 FOR OUTDOOR USE**



**FLAMES DO NOT WAIT !** A WARNING MESSAGE BEFORE IT GROWS INTO "FIRE".

**DETECTS SMALL FLAMES IMMEDIATELY ! AN ULTRAVIOLET RAY DETECTION FLAME SENSOR THAT OUTPUTS WARNING MESSAGES IN DIFFERENT LANGUAGES.**

## GENERAL DESCRIPTION

Flame sensor FS-6000 immediately detects ultraviolet rays contained in flames and outputs a warning message and activates an external output.

The sensor and speaker combined body can be installed either indoors or outdoors.

## 4 SELECTABLE LANGUAGES

The warning message can be easily selected by a dip switch. There are 4 selectable languages.

FS-6000C : English, Chinese, Korean, Turkish

FS-6000E : English, Spanish, French, Italian

Message volume is adjustable, maximum 100dB.

## VARIABLE ADJUSTMENT FUNCTIONS

The sensitivity can be set up by using the 4 leveled detection timer and sensitivity volume (40%-100%) together. It can be set up according to the environment of the installation. Area masking enables elimination of unnecessary detection areas.

## CONVENIENT EXTERNAL OUTPUT

FS-6000 has not only the warning message output but also has an external output. Multiple units can easily be controlled remotely by using a control panel.

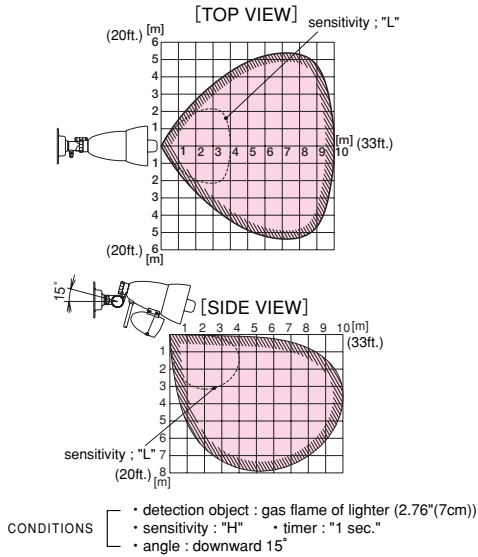
## OUTDOOR USABLE SENSOR AND SPEAKER COMBINED BODY

The black sensor and speaker combined body blends well with most surroundings. The rain resistant structure enables outdoor installation.

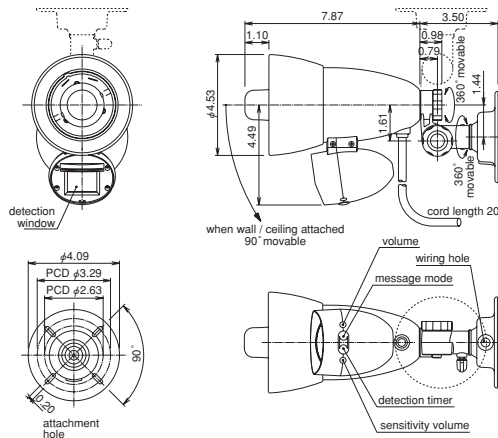
Also the wide angle area adjustment allows installation in various locations.

# FLAME SENSOR WITH SPEAKER

## DETECTION AREA



## EXTERNAL DIMENSIONS (Unit : inch)



## SPECIFICATIONS

PRODUCT NAME		FLAME SENSOR WITH SPEAKER	
MODEL NO.	FS-6000C	FS-6000E	
DETECTION SYSTEM	Ultraviolet rays detection (Detected wave length <185 to 260nm>)		
DETECTION AREA	Distance	33ft. (10m) [2.76"(7cm) flame]	
	Angle	Vertical : approx. 75° (upward : 15° / downward : 60°) Horizontal : approx. 100°	
	Adjustment range	Vertical : downward 90° (horizontal - vertical) Horizontal : 180°	
SENSITIVITY ADJUSTMENT	Sensitivity	L(40%) - H(100%) [selectable by volume]	
	Detection timer	1sec., 6sec., 15sec., 30sec. [selectable by switch]	
POWER SUPPLY	DC12V ±2V (non-polarity)		
POWER CONSUMPTION	Stand by	35mA or less	
	Operate	500mA or less	
WARNING MESSAGE OUTPUT	Operation	Output warning message when detecting flames. (One-shot operation)	
	Message selection	4 options [selectable by switch]	
	*English [Inflammable materials in this area. No naked flames.] *Chinese 「此処嚴禁煙火、請馬上熄滅火源」 *Korean 「여기는 화기엄금입니다. 즉시 불을 꺼주십시오。」 *Turkish [Yanici yer, ateşle yaklaşmayiniz]	*English [Inflammable materials in this area. No naked flames.] *Spanish [Materiales inflamables en este area. Sin llamas.] *French [Produits inflammables pas de flammes nues.] *Italian [Attenzione zona a rischio incendi, non fumare e non usare fiamme libere.]	
EXTERNAL OUTPUT	Volume : Mute - max. approx. 100dB (3.3ft. <1m> from the front of speaker.) ○Dry contact relay Form C (alarm : open/close) Contact capacity : 30V (AC/DC) 0.5A or less (resistance load) Output operation : Off delay approx. 2 secs.		
LED	Red LED. Operation : Blink during warning message output.		
WIRING	Reed wiring Power supply (thin) : 2 / dry contact (thin) : 3		
INSTALLATION METHOD	Screw on flange		
AMBIENT TEMP. RANGE	-4F° to +122F° (-20°C to +50°C)		
INSTALLATION	Indoor, Outdoor		
WEIGHT	approx. 35 oz (1,000g)		
APPEARANCE	Sensor part : PC resin (black) Adjustment, attachment part : PPO resin (black)		
ACCESSORIES	* Installation flange : 1 * Tapping screw : 1 type φ 4 x 30(SUS) 4 * Area mask seal : 1		
OPTIONAL	* Black vise F3		

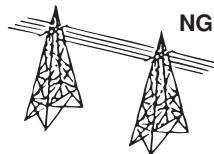
### WARNING !

This product may detect other ultraviolet rays other than flames due to the high sensitivity of ultraviolet ray detection. Read the instruction manual before installation and follow the proper usage.

● Do not install near railways. The sparks from the pantograph may cause false detection.



● Do not install near high voltage power lines. The sparks from the pylon may cause false detection.



● Do not install near weld construction sites. The sparks may cause false detection.



**Please Note :** This sensor is designed to detect intrusion and to initiate an alarm; it is not a burglary-preventing device. TAKEX is not responsible for damage, injury or losses caused by accident, theft, Acts of God (including inductive surge by lightning), abuse, misuse, abnormal usage, faulty installation or improper maintenance.

# TAKEX

### In Japan

Takenaka Engineering Co., Ltd.  
83-1, Gojo-sotokan,  
Higashino, Yamashina-ku,  
Kyoto 607-8156, Japan  
Tel : 81-75-501-6651  
Fax : 81-75-593-3816  
<http://www.takex-eng.co.jp/>

### In the U.S.

Takex America Inc.  
3350 Montgomery Drive,  
Santa Clara,  
CA 95054, U.S.A.  
Tel : 408-747-0100  
Fax : 408-734-1100  
<http://www.takex.com>

### In Australia

Takex America Inc.  
Unit 16/35 Garden Road,  
Clayton 3168 Victoria,  
Australia  
Tel : 03-9546-0533  
Fax : 03-9547-9450

Takex America Inc.  
Brisbane office : 1/50 Logan  
Road, Woolloongabba  
Queensland  
4102, Australia  
Tel : 07-3891-3344  
Fax : 07-3891-3355

### In the U.K.

Takex Europe Ltd.  
Takex House, Aviary Court,  
Wade Road, Basingstoke,  
Hampshire, RG24 8PE, U.K.  
Tel : (+44) 01256-475555  
Fax : (+44) 01256-466268  
<http://www.takexeurope.com>