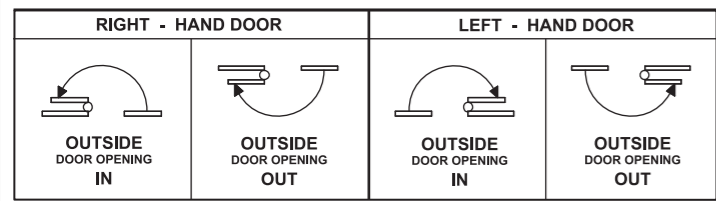


P/No. 3579-5121 30621 0609

HAND OF DOOR ACCORDING TO ENGLISH PRACTICE

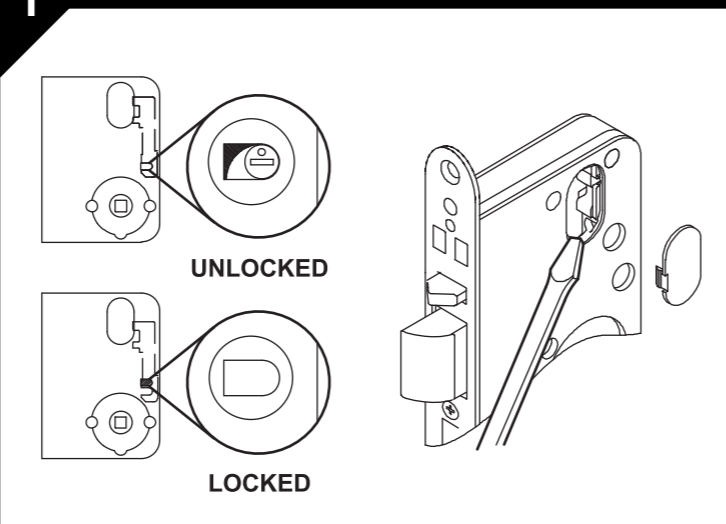


- Determine hand of lock required from hand of door chart above.
- All Lockwood 3579 Series Mortice Locks are mounted in accordance with these instructions. Locks may or may not have cylinders, lever handles, turn knob or emergency button. Disregard instructions referring to the features not required.
- Important : Before drilling door, ensure correct hand is being installed.
- NOTE: CASE DOES NOT need to be opened, to change HAND or FUNCTION of LOCK.

HANDING OF LOCK

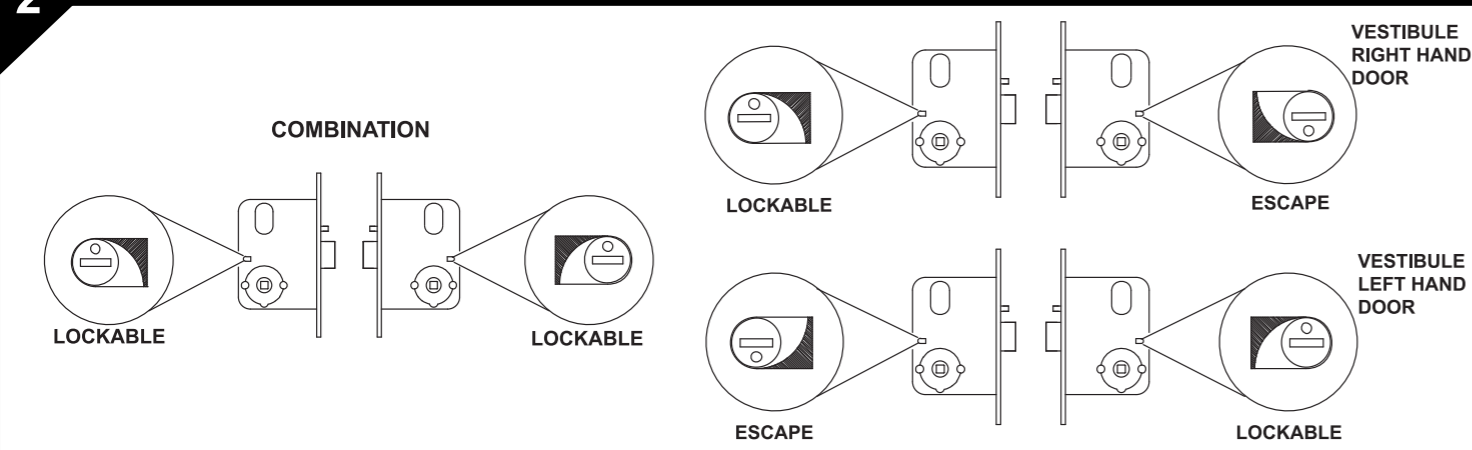
- Determine hand of lock required from above hand of door chart.
- Rotate bolt head to suit latching direction.

1 SETTING LOCK STATUS



- Ensure lock is in UNLOCKED position.
- To UNLOCK (if required), using a small screwdriver, lever out Cylinder Hole Plug where fitted and lift snib using the screwdriver.

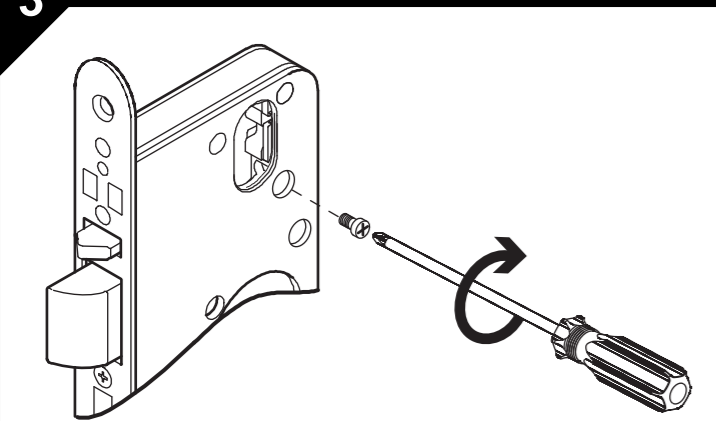
2 SETTING LOCK STATUS



- **SNIB CAM**
Rotation of the Snib Cam hands the lock. Use a small screwdriver to rotate cam if required.
- **Combination locks**
(Both handles can be locked) DOT in the up position.

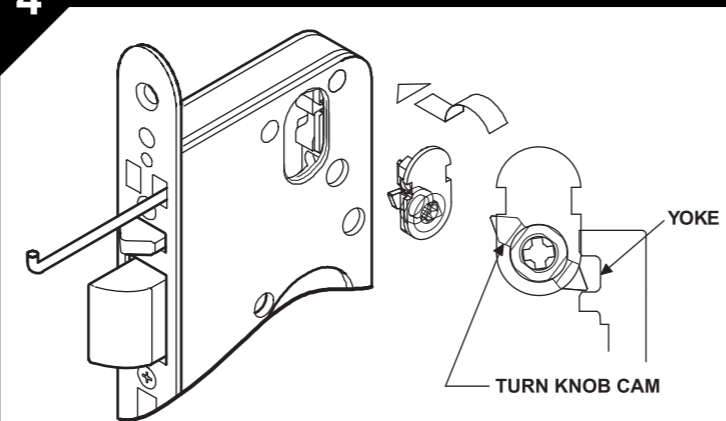
- **Vestibule Locks**
With single action escape feature. DOT to be DOWN on ESCAPE side and UP on LOCKABLE side.

3 SETTING KICK-OFF FUNCTION

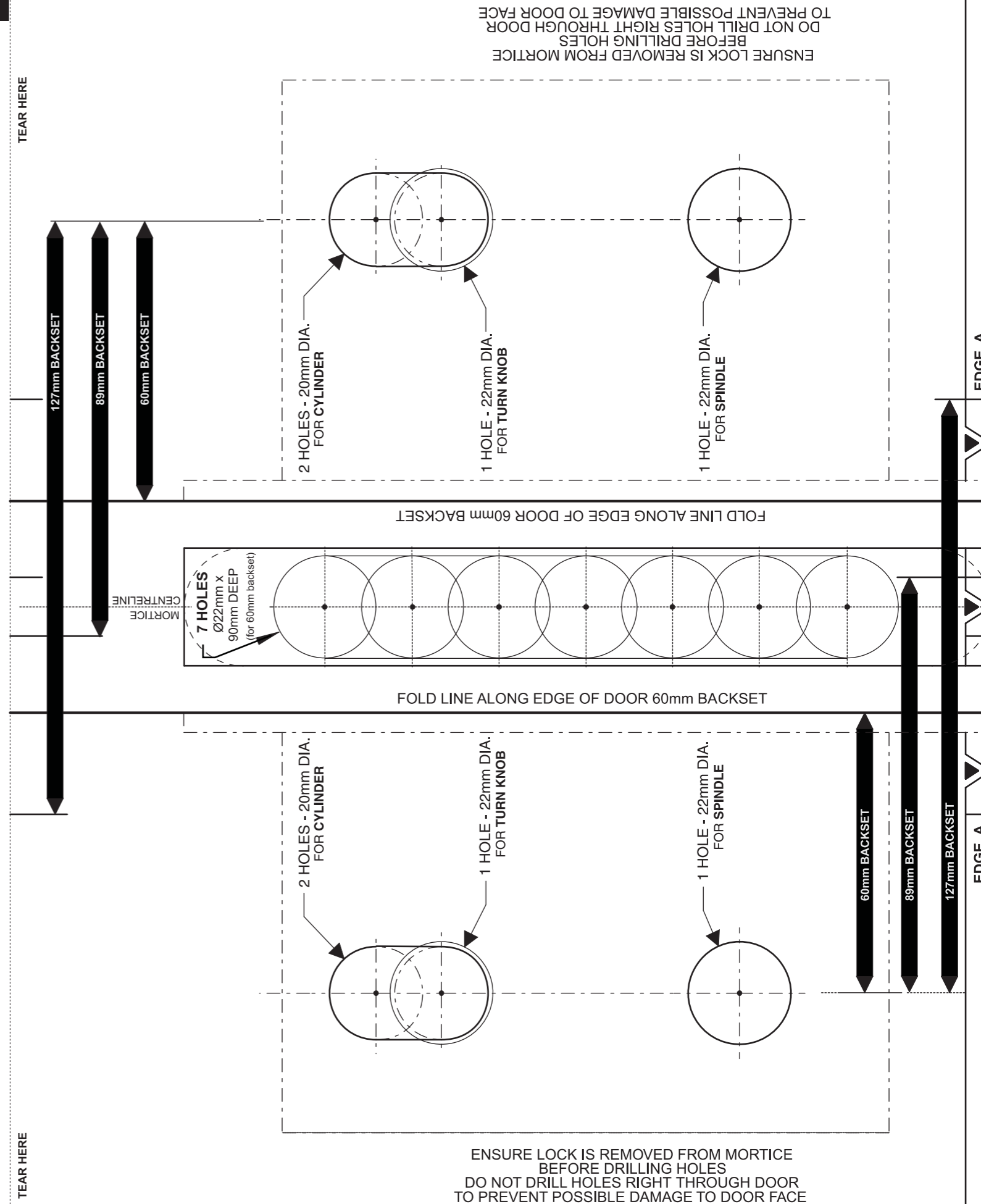


- To de-activate KICK-OFF function, ensure the lock is unlocked, then remove the KICK-OFF screw as shown. Rotate screw in the direction of the arrow as the screw is left hand thread.

4 TURN KNOB ADAPTORS



- Establish which side the adaptor is to be located, lever out Cylinder hole plug where fitted.
- **PUT LOCK IN LOCKED POSITION, as shown in Step 1.**
- Insert Adaptor into lock body with TOP of Turn Knob Cam point away from front of lock body. **Ensure Turn Knob Cam is engaged in yoke of snib as shown.**
- Place retainer pin through front plate to retain adaptor to lock. Ensure pin is flush with front plate



ENSURE LOCK IS REMOVED FROM MORTICE BEFORE DRILLING HOLES DO NOT DRILL HOLES RIGHT THROUGH DOOR TO PREVENT POSSIBLE DAMAGE TO DOOR FACE

ENSURE LOCK IS REMOVED FROM MORTICE BEFORE DRILLING HOLES DO NOT DRILL HOLES RIGHT THROUGH DOOR TO PREVENT POSSIBLE DAMAGE TO DOOR FACE

5 DOOR PREPARATION

IMPORTANT - To prevent damage to the door face from drill "breakthrough", MARK BOTH SIDES OF DOOR & DRILL HOLES HALF WAY THROUGH EACH SIDE

- Establish height that lockset will be mounted on door and mark centreline of door thickness on door edge.
- Place Mortise Template on door and align centreline on template with centreline on door. Secure with sticky tape.
- Mark and drill mortise to suit mortise lock depth (90mm).

6 DOOR PREPARATION

- Ease out mortise cavity where necessary. Clean out mortise before inserting lock.
- Insert lock in mortise with Cover Plate on and scribe around Cover Plate for size of recess, ensuring that no foreign matter finds its way into the lock mechanism.
- Remove lock from mortise and chisel recess 4mm deep to receive both front and cover plate. Cover plate must be flush with edge of door.
- Ensure lock is removed from mortise cavity. Fold template along backset fold line. Align EDGE A with bottom of cover plate recess. Establish holes required to suit lock function, mark hole centres accurately, drill and clean holes.
- Drill furniture holes as required.
- Fasten mortise lock into door using mounting screws provided.

7 LOCKS AND CYLINDERS

LOCKS WITH CYLINDERS

- Place lock in mortise and insert cylinder.
- Secure cylinder with retainer pin, ensuring pin is flush with front plate.
- Install Cover plate and secure with 2 M4 screws provided to lock body.

LOCKS WITHOUT CYLINDERS

- Install Cover plate and secure with 2 M4 screws provided to lock body.

8 LOCKS WITH TURNKNOBS

- Mark and cut connecting bar as shown.
- Turn knob to be in the vertical position when UNLOCKED.

9 LOCKS WITH SPINDLES

IMPORTANT: Attach spindle spring to rear of spindle before assembling

- All locks are supplied with spindles.
- Insert spindle(s) into lock, as required.
- Assemble furniture as required. Ensure furniture is not over-tightened.

10 MOUNTING STRIKE

- Mark out door frame for strike.
- Mortise door frame for strike box and strike. Bolt recess to be 15mm deep in door frame.
- Screw strike and strike box to the door frame with two screws supplied with mortise lock.

ASSA ABLOY LOCKWOOD GUARANTEE

ASSA ABLOY Australia Pty Limited ("ASSA ABLOY") warrants its Lockwood products against defects in workmanship and materials, subject to the limitations and exclusions set out in this Warranty. If, within the normal working life of a product, it is found to be defective, and none of the limitations and exclusions set out in this Warranty apply, ASSA ABLOY will supply the same or equivalent product free of charge. This is the only remedy granted by ASSA ABLOY under this Warranty.

Limitations: All electrical and electronic components used in ASSA ABLOY's Lockwood range of products (excluding batteries) are guaranteed for a period of 12 months from the date of proof of purchase, unless stated otherwise.

Exclusions: This Warranty does not cover:

- Damage to or malfunction or failure of the Lockwood product caused or contributed to by: (a) improper installation or failure to follow fitting instructions; (b) improper maintenance; (c) fair wear and tear; (d) any modification or repair which has not been authorized by ASSA ABLOY; (e) use of substitute or replacement parts or cylinders other than genuine ASSA ABLOY parts or cylinders; or (f) use of batteries other than those specified by ASSA ABLOY.
- The cost of: (a) removal and/or replacement of the Lockwood product; (b) freight and/or travelling time; (c) replacement batteries; or (d) any modification or repairs to a Lockwood product, unless authorised by ASSA ABLOY.
- Damage to or deterioration of the plated finishes Florentine Bronze, Architectural Bronze, Polished Brass, Gold and Satin Brass, which are classified as soft finishes, and are subject to deterioration under some environmental conditions.
- Personal injury, property damage or economic loss, however caused.

Symmetry® 5 Year Finish Warranty: ASSA ABLOY Australia Pty Limited will replace five-year branded Symmetry product if within five years from the proven date of purchase it tarnishes, discolors or corrodes when properly installed and subject to no more than fair wear and tear.

Symmetry® Everbrass® Warranty: Everbrass product is coated both on the exterior and interior surfaces with a lifetime anti-tarnish finish. ASSA ABLOY Australia Pty Limited will replace Everbrass branded product if it corrodes, tarnishes or discolors when properly installed and subject to no more than fair wear and tear. This Warranty is in addition to and not in substitution for any rights of the purchaser under the Trade Practices Act and state or territory legislation.