

# Wall and Floor Mounted Hold Open Magnets

## General Description

The EF830 Series of Hold Open Magnets can work as standalone or with an integrated fire system. These fail-safe devices will automatically release if connected to a fire detection system.

Some models include integrated “interrupter buttons” giving the ability to open or close the door manually at any time. Other models have an integrated soft close shock absorbers for silent operation i.e. in Hospitals

## Key Features

- Fail Safe Operation – Unlocks when power is removed
- Shock absorber for soft close (model dependent)
- Integrated Interrupter pushbutton (model dependent)
- Modern Design
- Silent Operation (no humming)
- Easy Install
- Space bracket for wall mount option standard

## Applications

Fire Doors that need to close upon fire signal

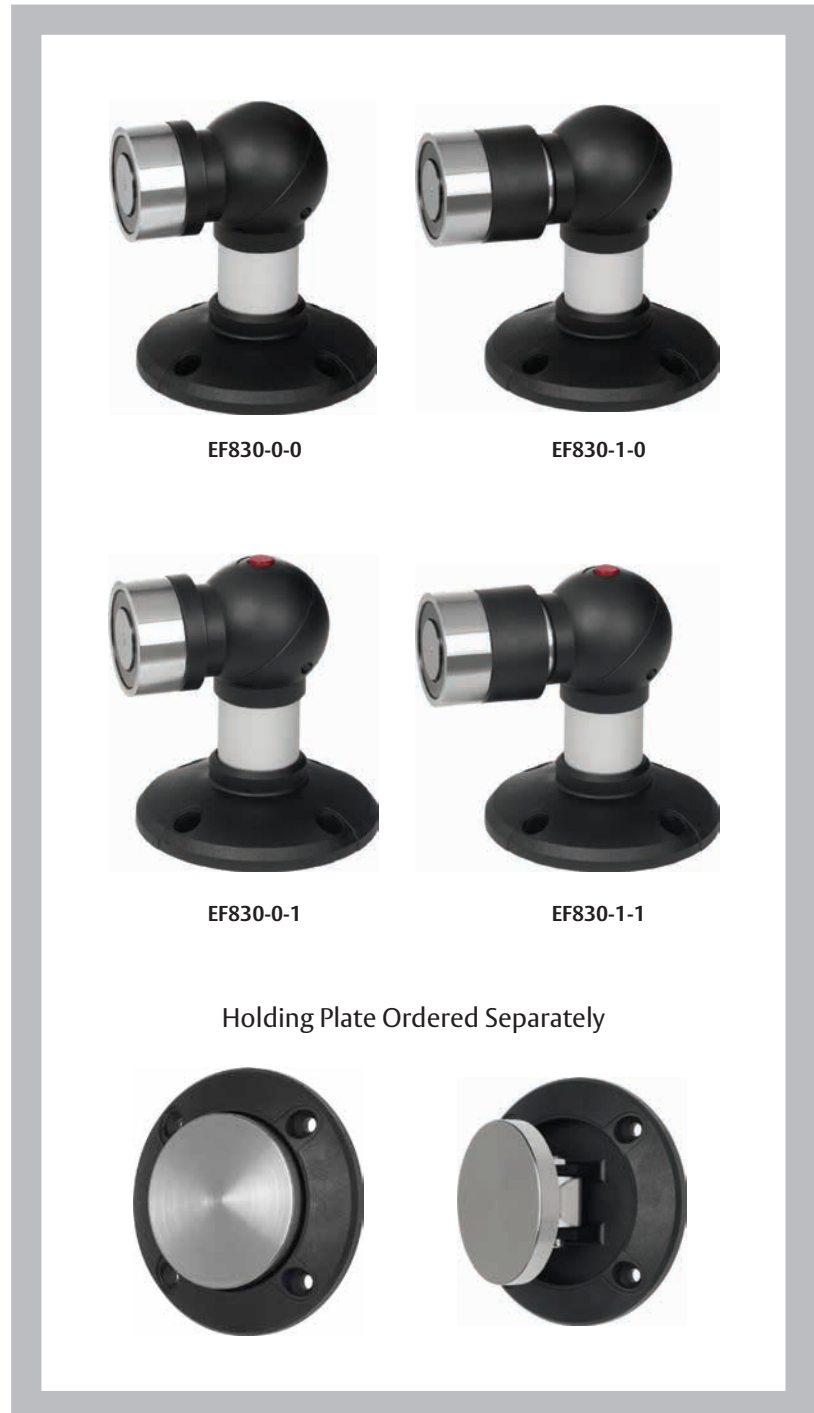
- Fire Doors
- Doors that restrict the passage of fire

Non Fire Doors that need to be held open

- Cinema Doors
- Hospital Doors
- Parameter Doors
- Other Doors

Hold open devices are primarily used for fire doors, but not only limited to this application. Other known applications are doors that require to be held open for several hours i.e. with Cabin Hooks. For this application the device needs constant power and no “smarts” are required.

**Note:** Ensure you select the model with Integrated Interrupter pushbutton and also buy 24vdc Power supply



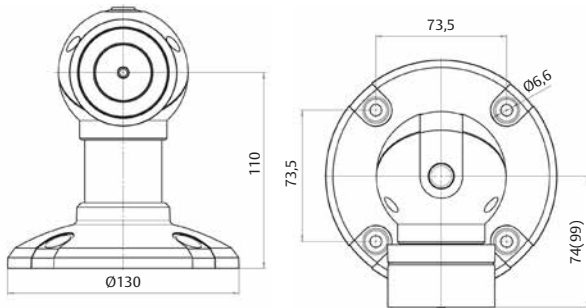
## Standards and Compliance

CE CE Approved

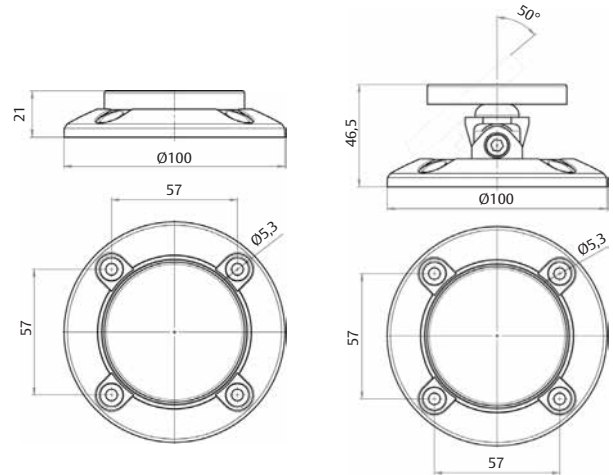
C-Tick Certified

IP 40 Rating

# Wall and Floor Mounted Hold Open Magnets



EF 830 Magnet Dimensions  
(EF830-0-0 and EF830-1-0 models)



EF 800 Hold Armature Plates

## EF830 Series Technical Information

|                                   | EF830-0-0 | EF830-1-0 | EF830-0-1 | EF830-1-1 |
|-----------------------------------|-----------|-----------|-----------|-----------|
| Wall & Floor Mount                | Yes       | Yes       | Yes       | Yes       |
| Integrated Interrupter pushbutton | No        | Yes       | No        | Yes       |
| Shock Absorber                    | No        | No        | Yes       | Yes       |
| Holding Force                     | 150 kg    | 150kg     | 150kg     | 150kg     |
| Voltage                           | 24vDC     | 24vDC     | 24vDC     | 24vDC     |
| Current                           | 20ma      | 20ma      | 20ma      | 20ma      |
| Operating Temperature             | 0-50°C    | 0-50°C    | 0-50°C    | 0-50°C    |
| Floor Spacing                     | 110mm     | 110mm     | 110mm     | 110mm     |
| Wall Spacing                      | 190mm     | 190mm     | 215mm     | 215mm     |
| Continuous Duty                   | 100% ED   | 100% ED   | 100% ED   | 100% ED   |

## Ordering Information

| Product Description   | Part Number |
|---|-------------|
| EF830-0-0 Magnet 24vDC  | 100830-000  |
| EF830-1-0 Magnet with interrupter button 24vDC                  | 100830-100  |
| EF830-0-1 Magnet with Shock absorber 24vDC                      | 100830-010  |
| EF830-1-1 Magnet with Shock absorber & interrupter Button 24vDC | 100830-110  |
| EF800 Hold Bracket  | 100800-000  |
| EF800 Hold Swivel Bracket                                       | 100800-100  |
| 24v DC Powersupply  | P9625       |