

## PRODUCT FES112

### HIGH SECURITY ELECTRIC CUSTODIAL STRIKE



FES112

#### PRODUCT DESCRIPTION

The FES112 is purposely designed for heavy duty high security applications where superior holding strength is required, such as detention centres, correctional facilities and the like. The Strike works in conjunction with a heavy duty double throw deadlock. With a holding force in excess of 1000kg, multiple monitoring functions and multi-voltage regulation, the FES112 is the perfect locking device for a variety of high security installations and a viable solution for either new or retrofit high security projects. The device is supplied with a series 2 to series 3 simple change over switch.

Series 3 configuration provides the device with door position monitoring, in this configuration the FES112 cannot be secured until the door is in the closed position and the lock monitoring tongue is depressed.

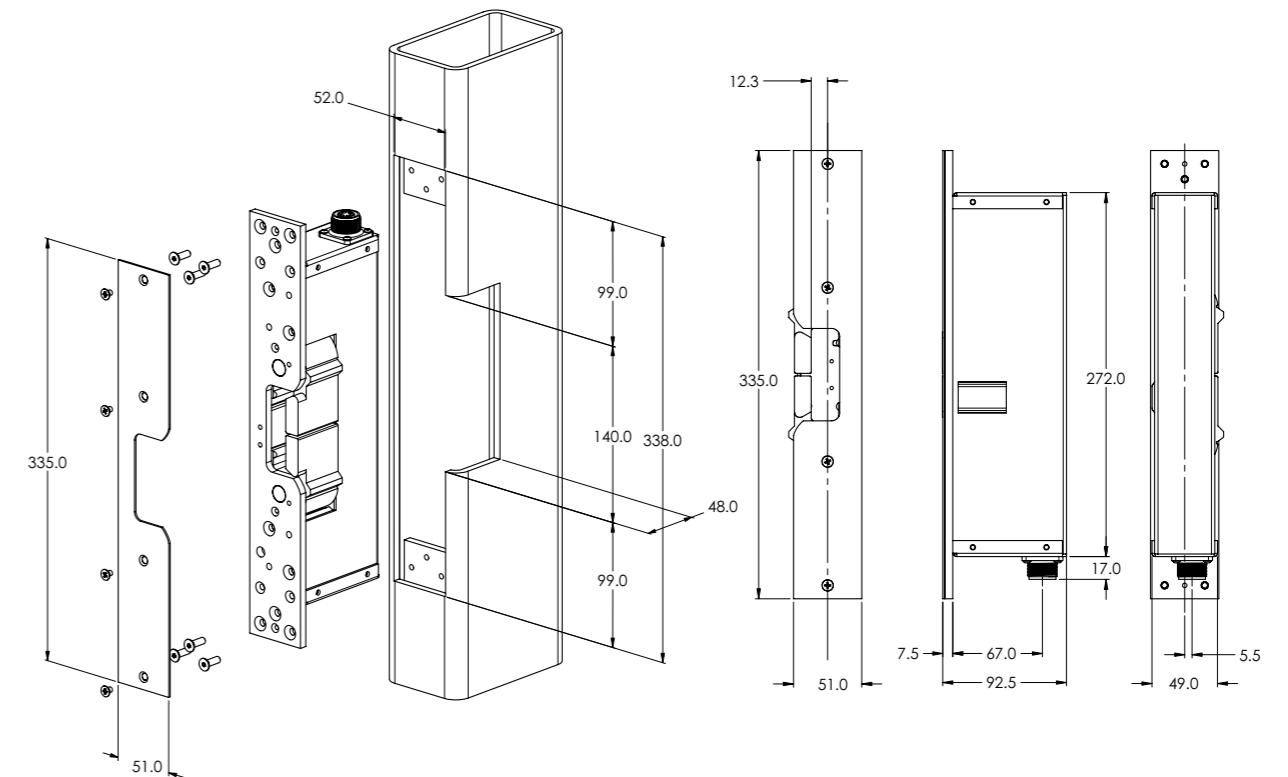
#### TECHNICAL DETAILS

PART NO.	FES112
FUNCTION	Power To Open (Fail Secure)
HOLDING STRENGTH	More than 1000kg
VOLTAGE/CURRENT	Multi Voltage 12-30VDC 12VDC, 1.5A current draw 24VDC, 0.75A current draw
MONITORING	Strike Jaws, Door Lock Bolt Status Sensor Door Position Reed Switch Strike Plate Removed (Anti-Tamper)
TEMPERATURE RANGE	-20°C to +60°C
LOCK DEAD BOLT DIMENSION	Fully extended = 33-36mm Width = 10-17mm Height = 57-59mm

#### PRODUCT FEATURES

- Stainless steel faceplate and keeper
- Ultra high holding force in excess of 1000kg
- Full monitoring (strike jaws, lock position, door position and cover plate)
- Multi Voltage operation 12-30VDC
- Smart Electronics, one lock for several applications (Revisions)
- Fail Secure operation
- Body, high grade tooling steel hardened to 60 Rockwell
- Jaws, Molybdenum coated hardened steel
- Change over switch series 2 or 3

#### PRODUCT DIMENSIONS AND INSTALLATION



#### ORDER DETAILS

PART NO.	PRODUCT DESCRIPTION
FES112	High Security Dead Bolt Strike FES112 Series NEW Electronics Rev.2 &3 selectable